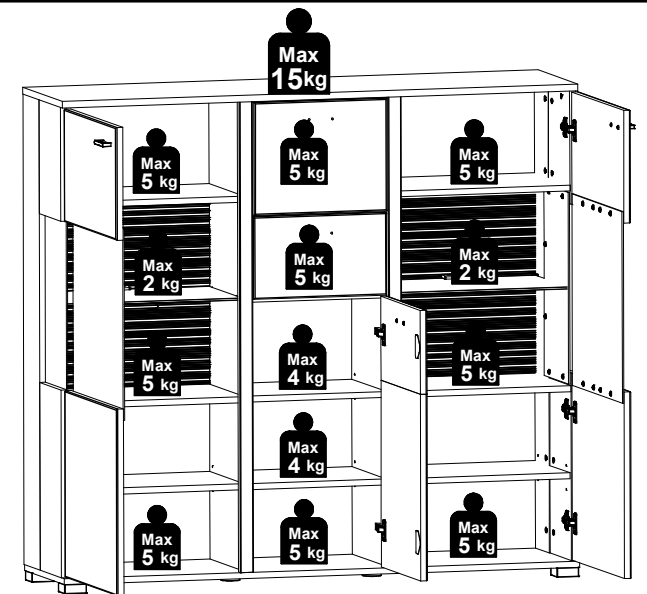
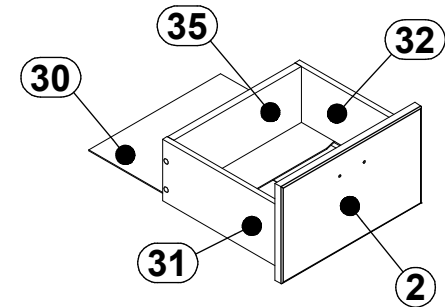
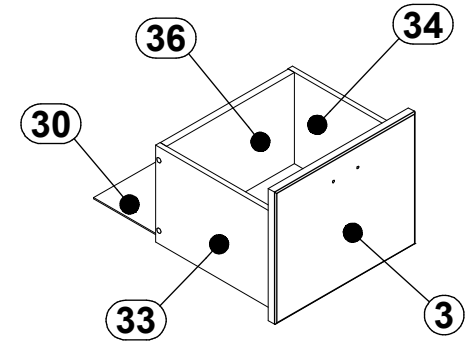
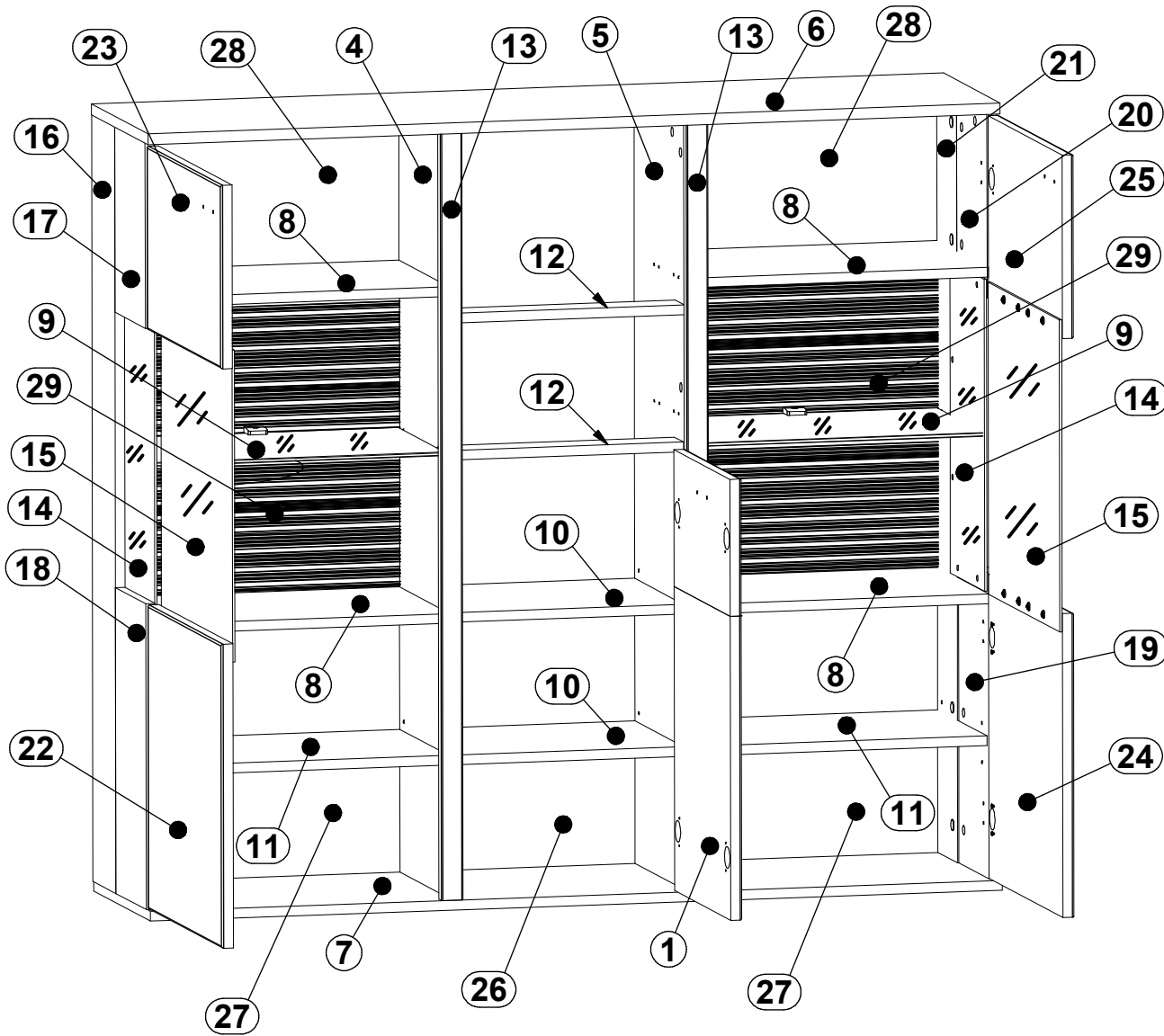


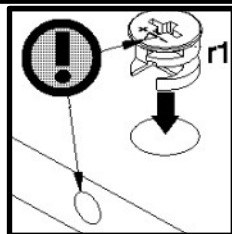
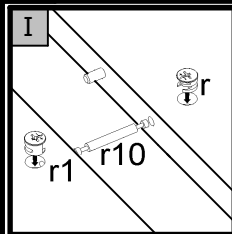
A	B	C (mm)		D
1	S266-0005	721	367	1/3
2	S266-0006	220	367	1/3
3	S266-0007	300	367	1/3
4	S266-1007	1253	329,	2/3
5	S266-1008	1253	329,	2/3
6	S266-2007	1424	370	1/3
7	S266-2008	1424	370	1/3
8	S266-3007	492	329,	2/3
9	S266-3011	485	305	2/3
10	S266-3013	374,	319	2/3
11	S266-3037	491	319	2/3
12	S266-4003	375	60	1/3
13	S266-5306	1253	36,	1/3
14	S266-5503	510	225	3/3
15	S266-5507	510	466	3/3
16	S266-7004	1253	150	2/3
17	S266-7005	303	199	2/3
18	S266-7006	500	199	1/3
19	S266-7010	500	199	1/3
20	S266-7011	303	199	2/3
21	S266-7012	1253	150	2/3
22	S266-7712	497	484,	3/3
23	S266-7713	300	484,	3/3
24	S266-7714	497	484,	3/3
25	S266-7715	300	484,	3/3
26	S266-9008	1263	391	1/3
27	S266-9009	463	505	3/3
28	S266-9010	266	505	3/3
29	S266-9304	534	505	3/3
30	WSP-9109	345	308	2/3
31	WSQ4-503	300	140	1/3
32	WSQ4-504	300	140	1/3
33	WSQ8-503	300	220	1/3
34	WSQ8-504	300	220	1/3
35	WTQ-5203	335	127	1/3
36	WTQ-5204	335	207,	1/3

6x K01-335 a102	2x K16-435 a101	8x b59	5x 64mm c440	16x Ø5x17 mm d1	6x d38	8x Ø7x50 mm e1	16x Ø6x13 mm e3	28x Ø5x16 mm e47	42x Ø8x30 mm f1
8x Ø8x50 mm f6	8x Ø6,5x40 mm f25	10x M4x25 mm j8	2x k53	4x k55	20x l2	34x 20x13x3,5 n108	28x Ø5,3/Ø8,3x4,8 mm o54	1x 5W o75\2	2x o85\1
1x Ø80\3 o80\3	8x Ø4x35 mm p6	2x Ø4x25 mm p36	8x Ø3,5x16 mm p38	16x Ø3,5x15 mm p51	38x Ø2,9x16 mm p55	56x Ø15x12 mm #16 r1	10x r10	8x Ø12x10,5 mm #12 r15	44x 20/11 r42
32x Ø16 s2	2x Ø35x62x40x10 S71	2x 300mm w125\L	2x 300mm w125\P	1x z1					

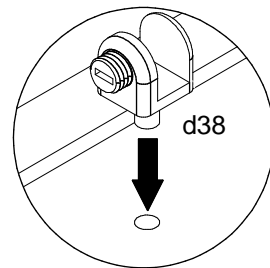
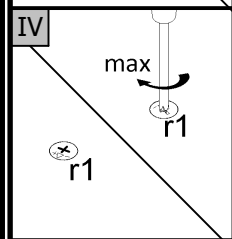
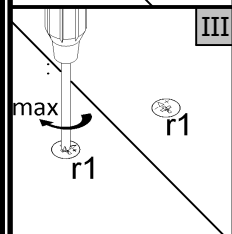
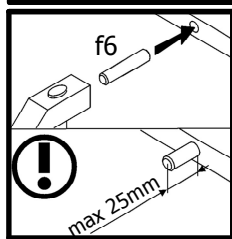
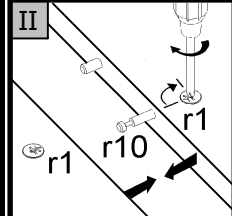
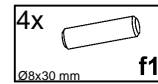
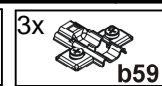
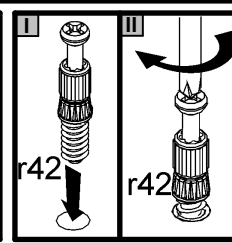
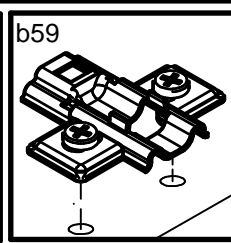
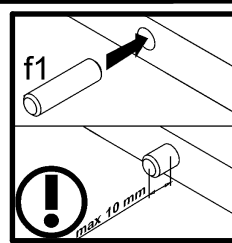
2x Ø10x50 mm f35	2x 88x21x151,5 n14\2	2x Ø5x60 mm p17	4x Ø3,5x16 mm p38
------------------------	----------------------------	-----------------------	-------------------------



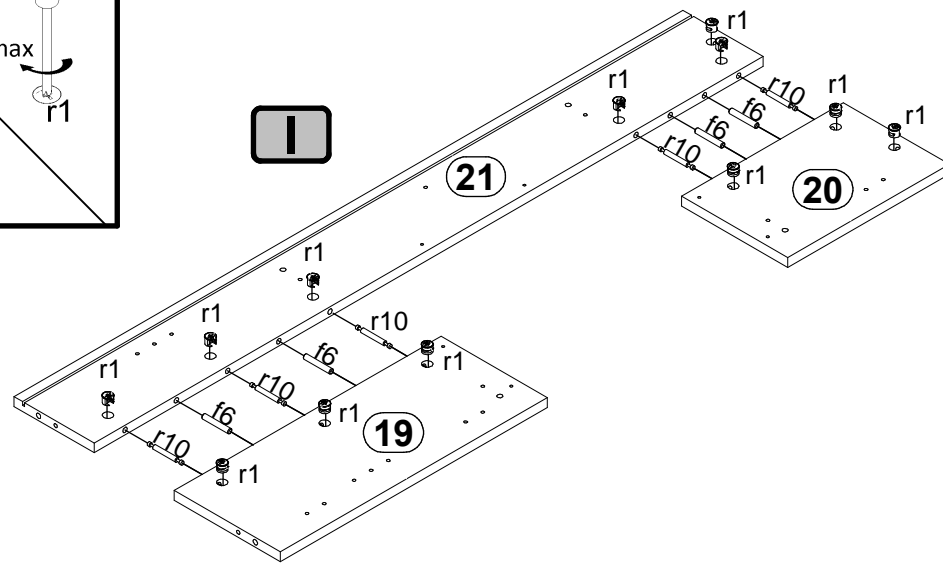




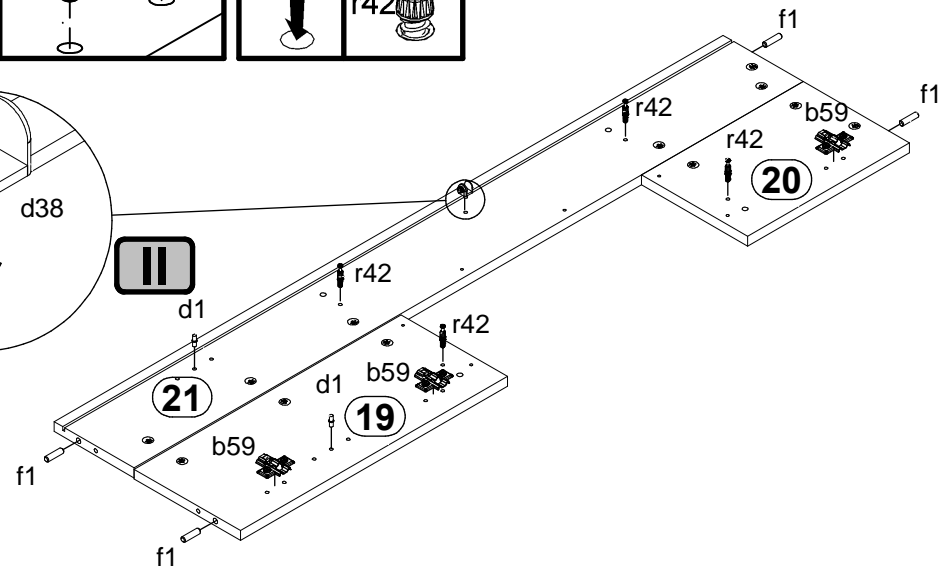
**1**



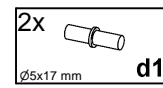
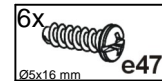
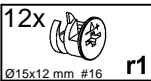
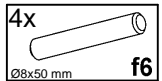
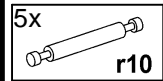
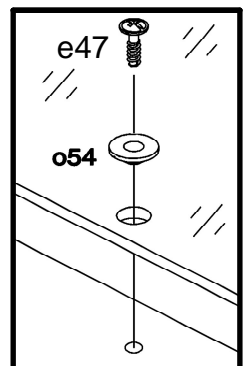
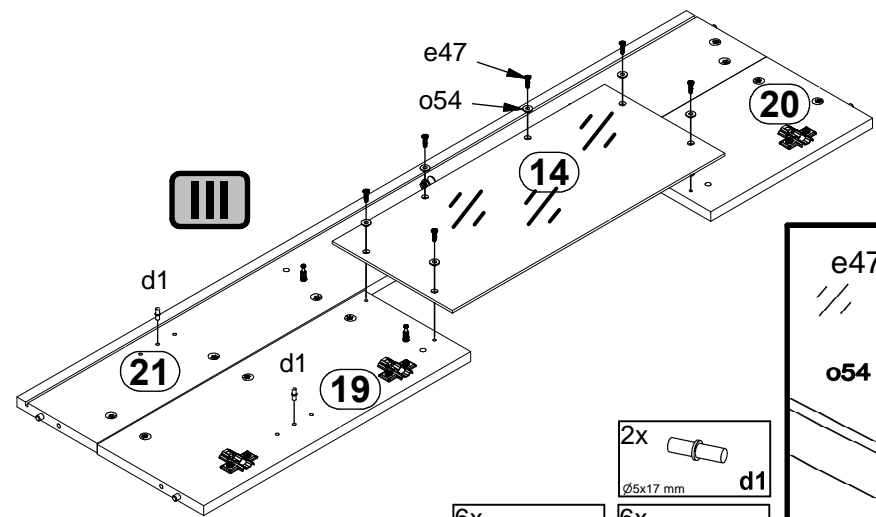
**II**

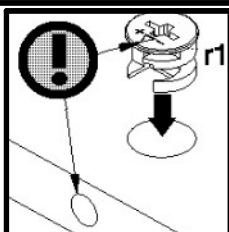
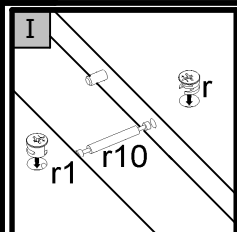


**I**

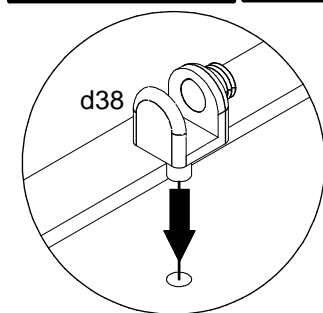
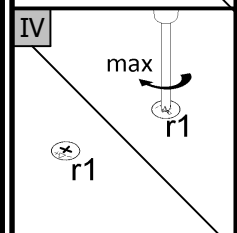
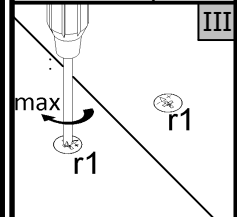
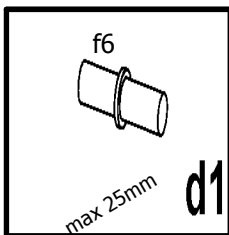
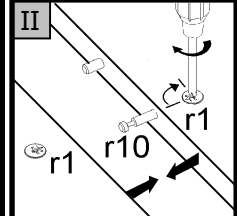
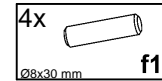
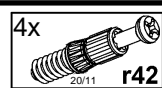
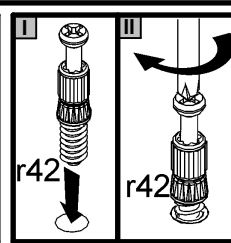
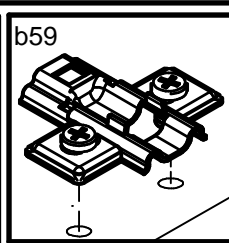
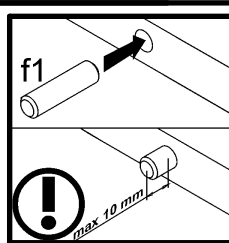


**III**

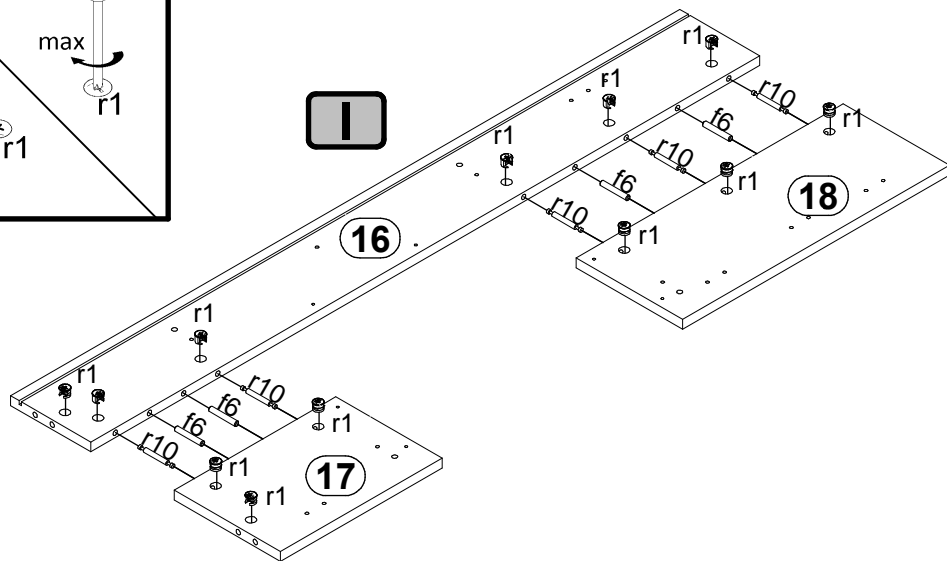
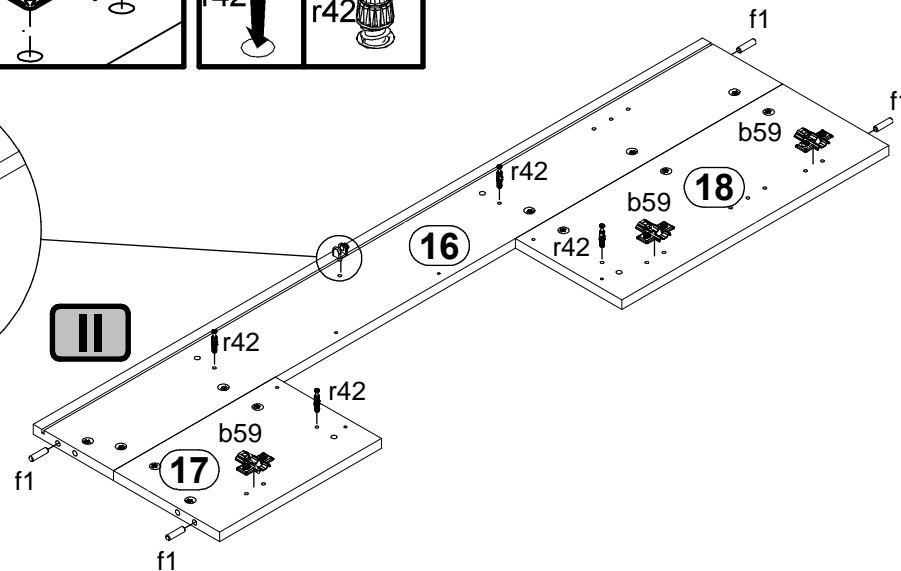




**1**

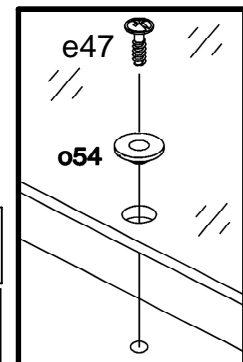
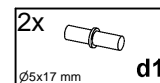
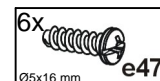
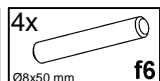
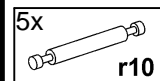
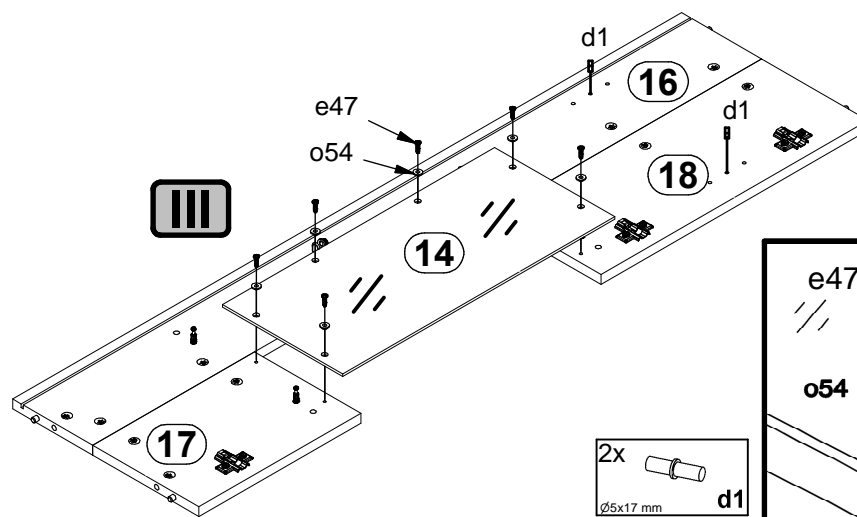


**II**

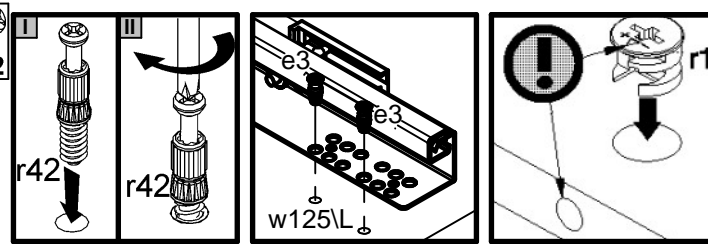


**I**

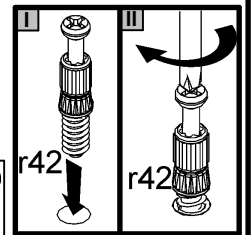
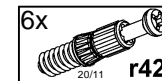
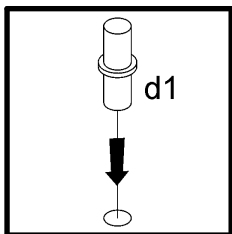
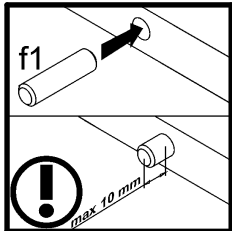
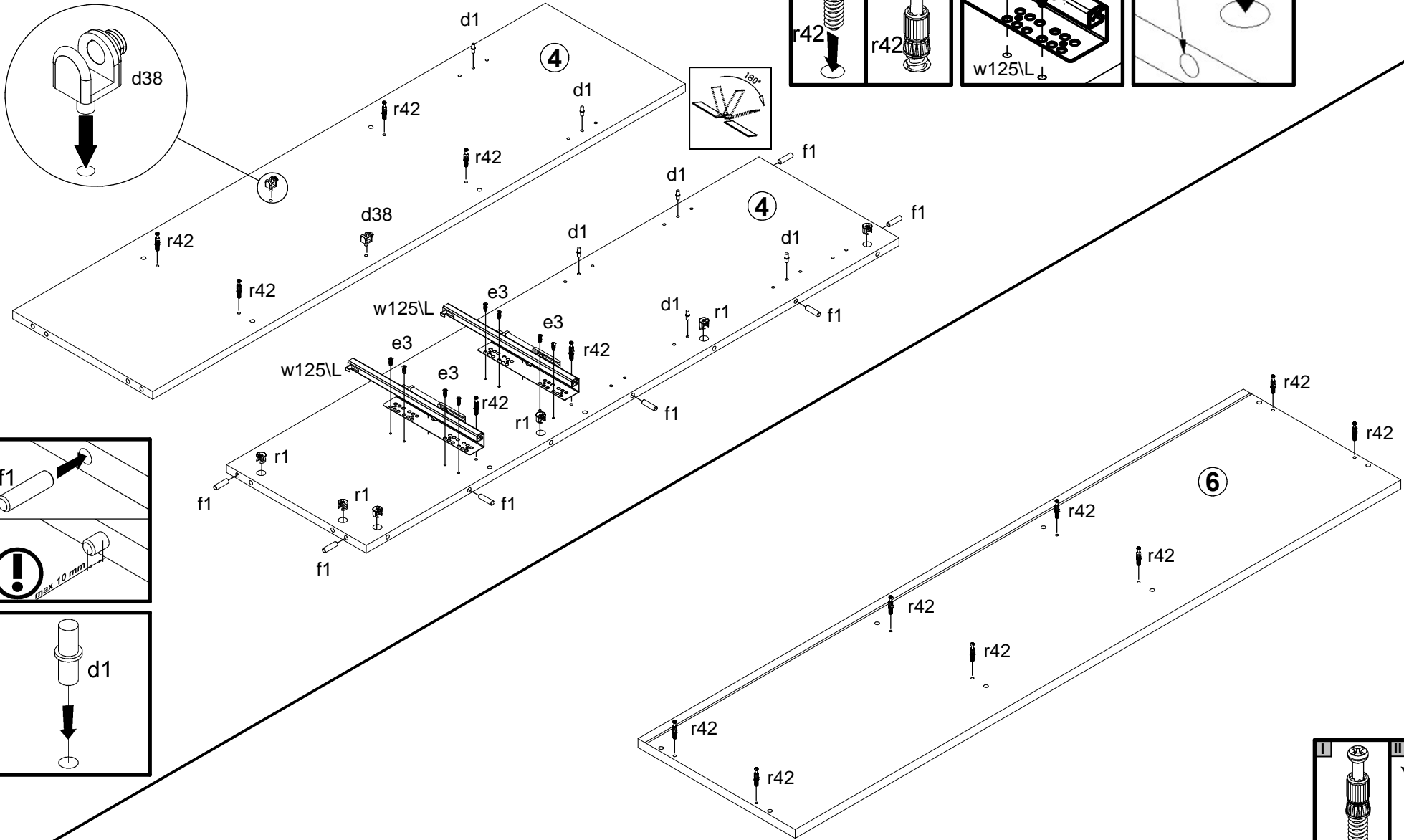
**III**



- 2x 300mm w125L
- 2x d38
- 8x Ø6x13 mm e3
- 7x Ø8x30 mm f1
- 6x Ø5x17 mm d1
- 5x Ø15x12 mm #16 r1
- 6x 20/11 r42

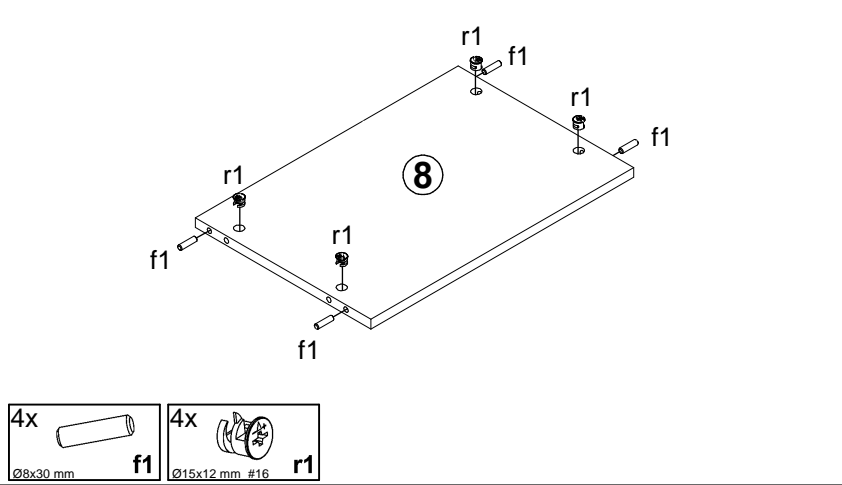
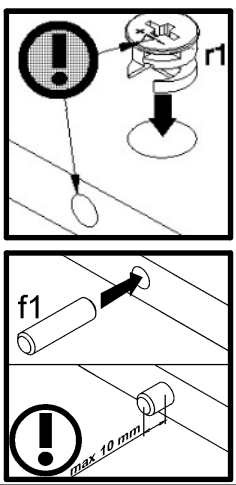
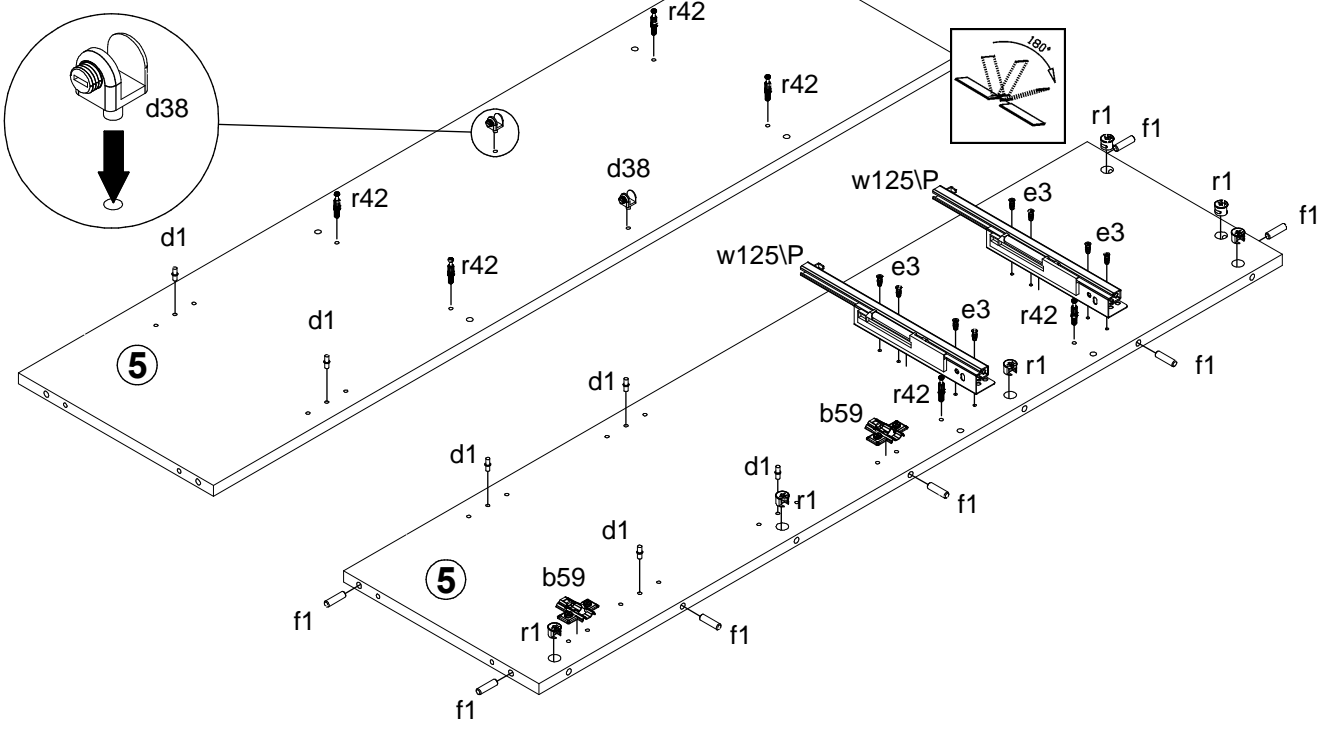
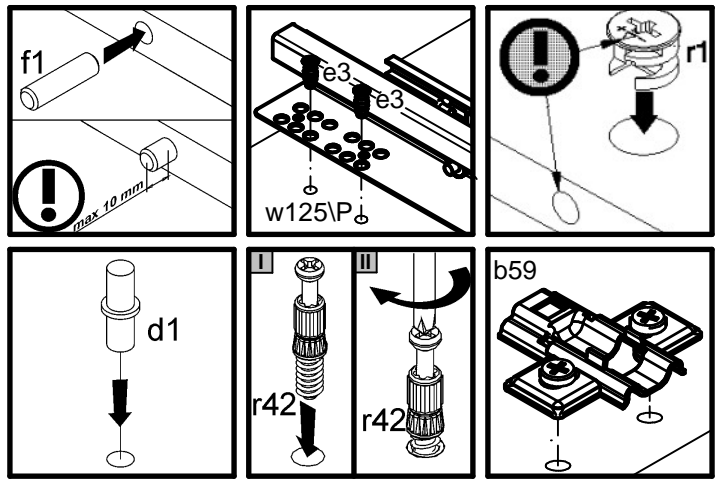


1

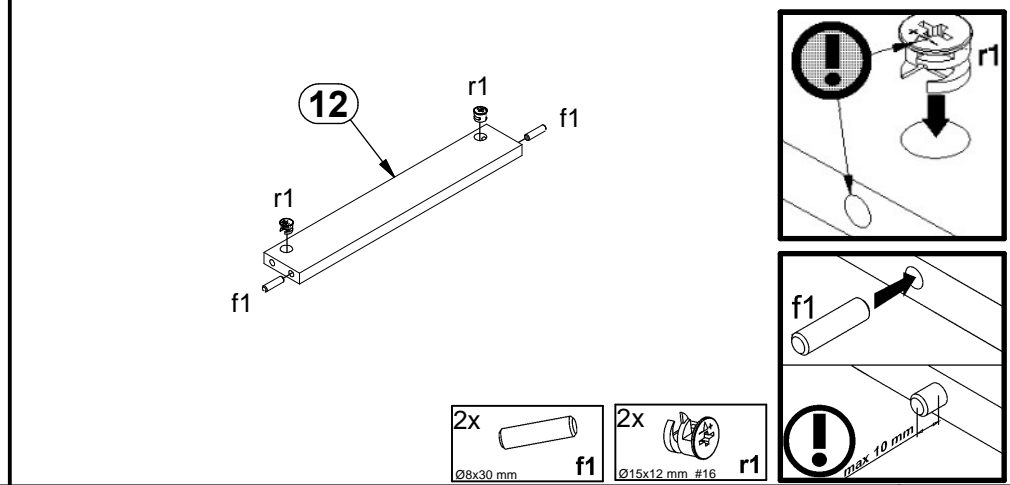


- 2x w125P
- 2x d38
- 8x e3
- 7x f1
- 6x d1
- 5x r1
- 6x r42
- 2x b59

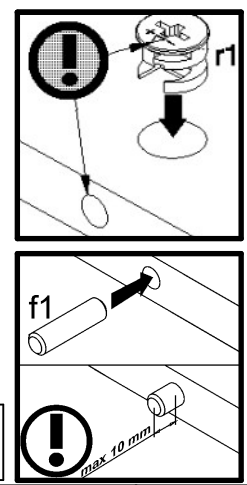
1

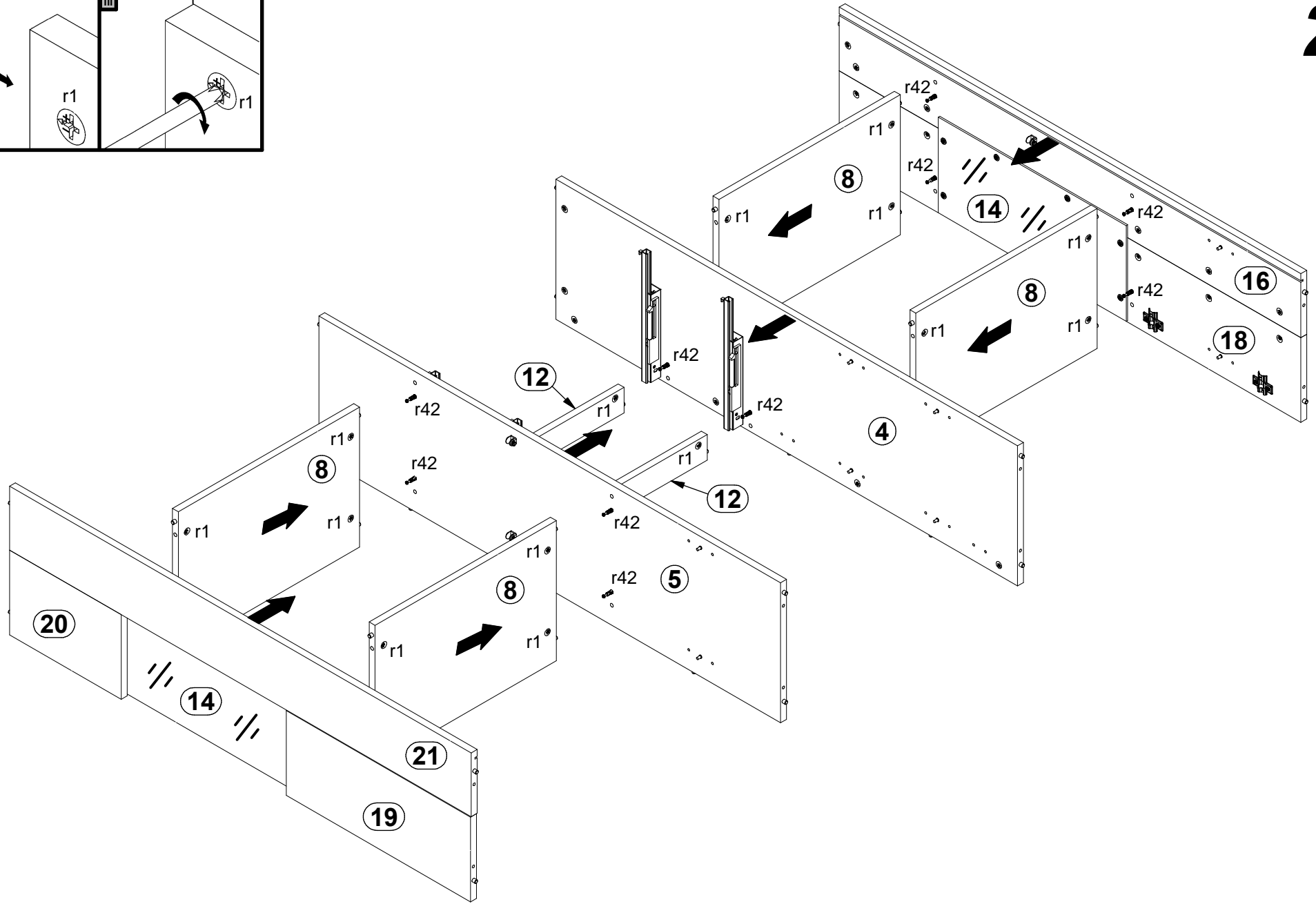
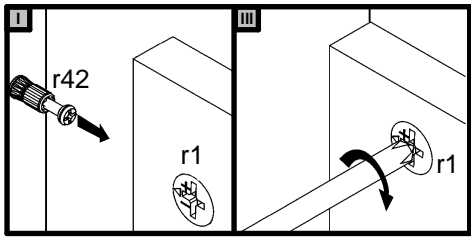


- 4x f1
- 4x r1

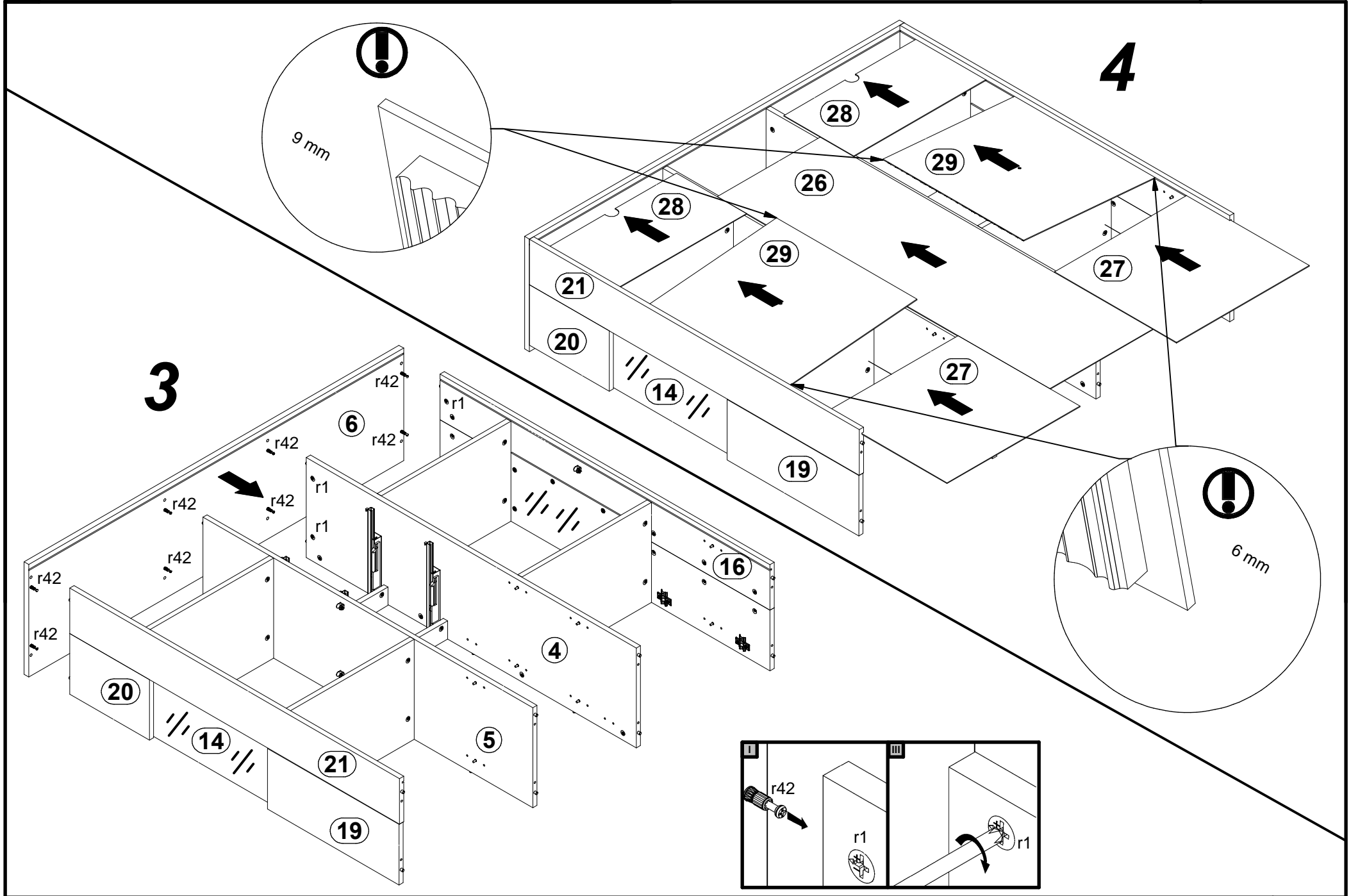


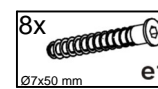
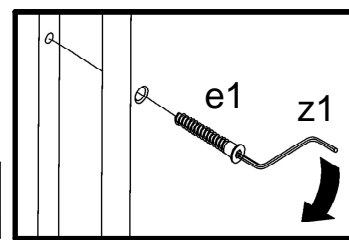
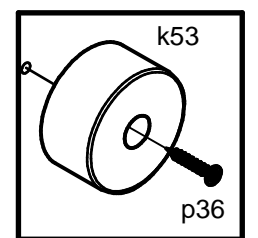
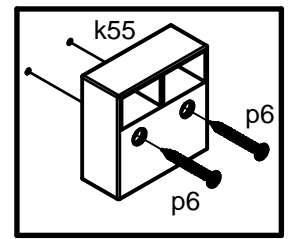
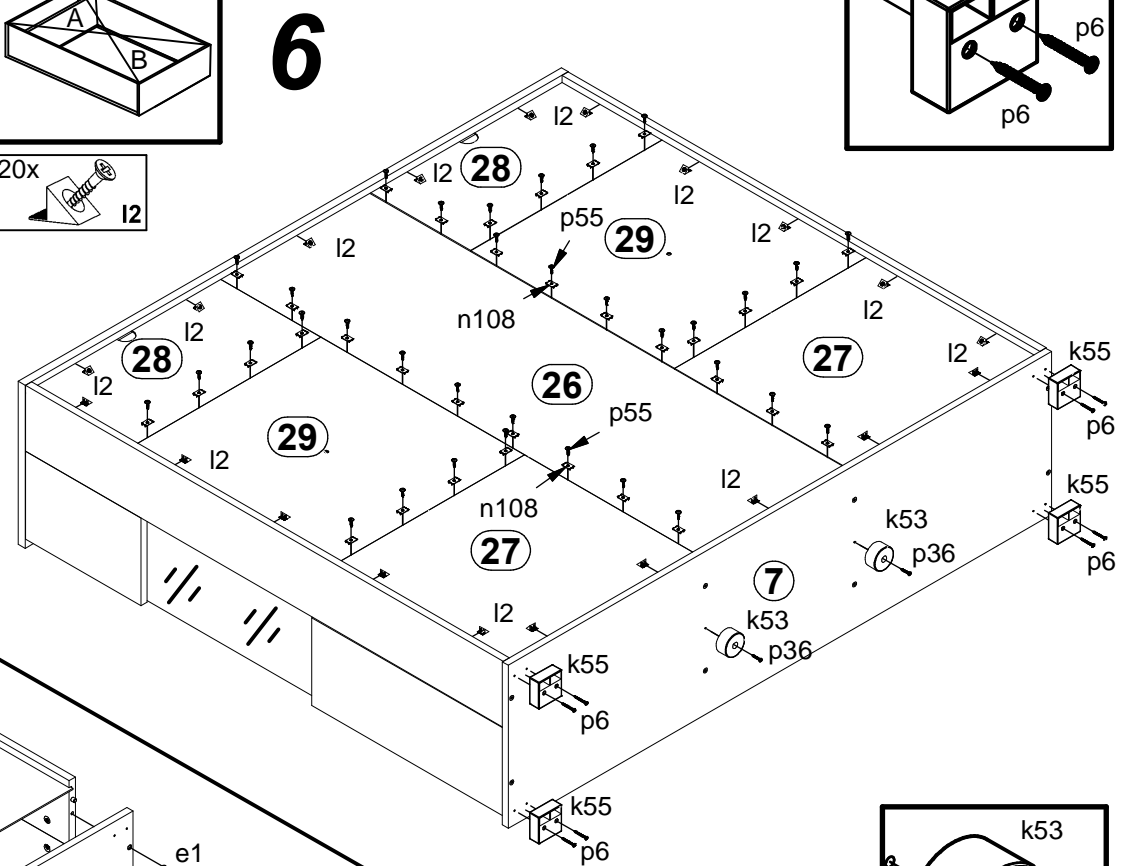
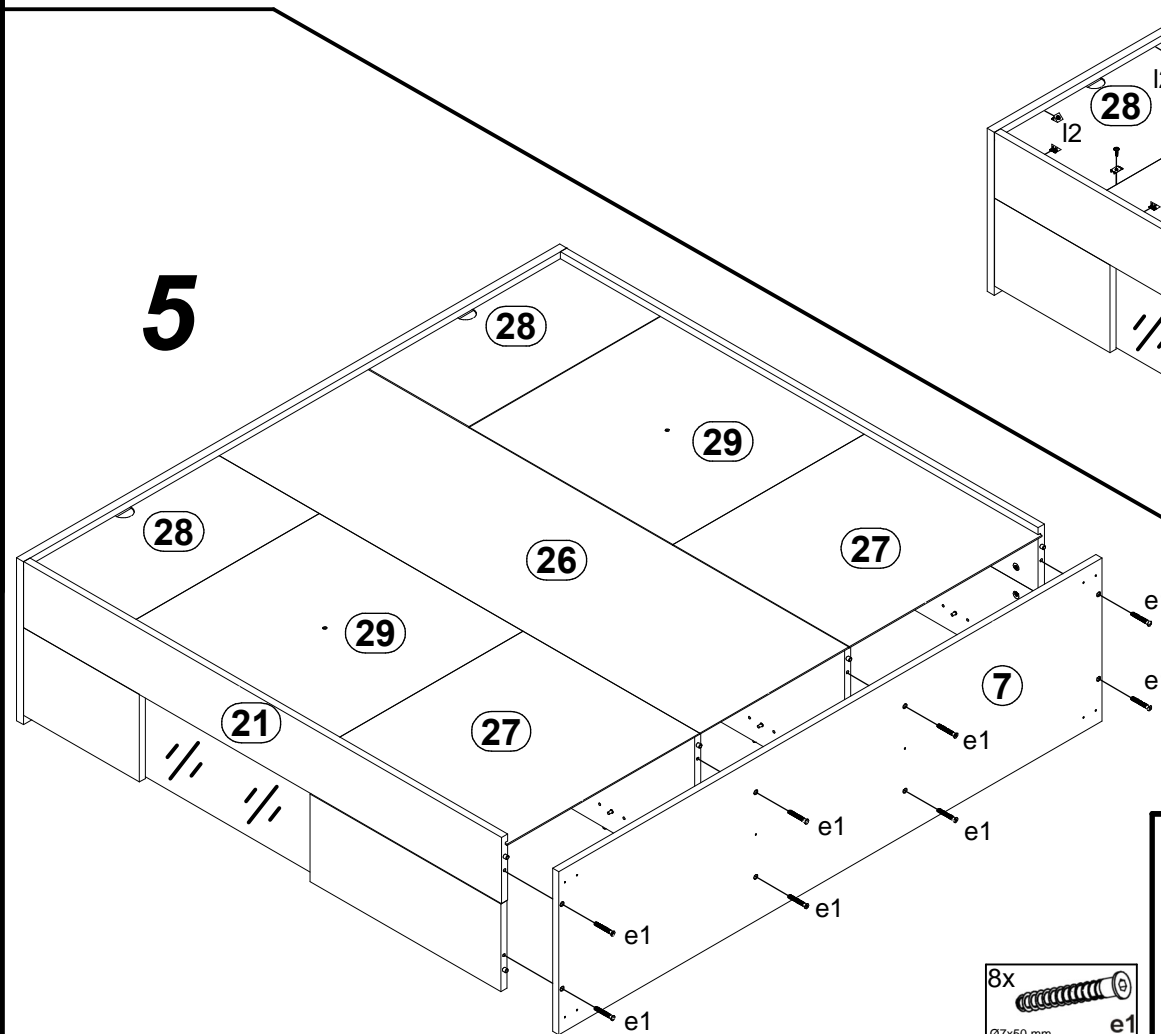
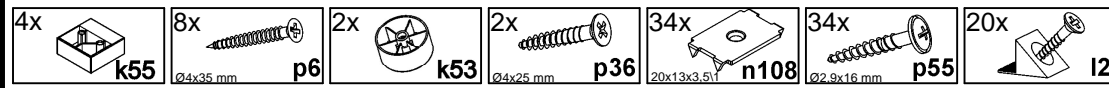
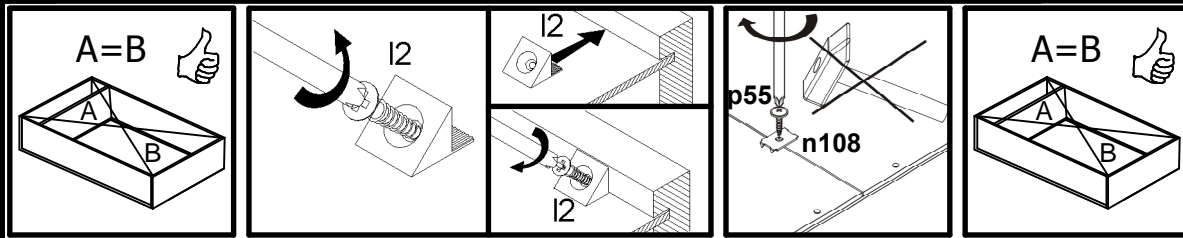
- 2x f1
- 2x r1

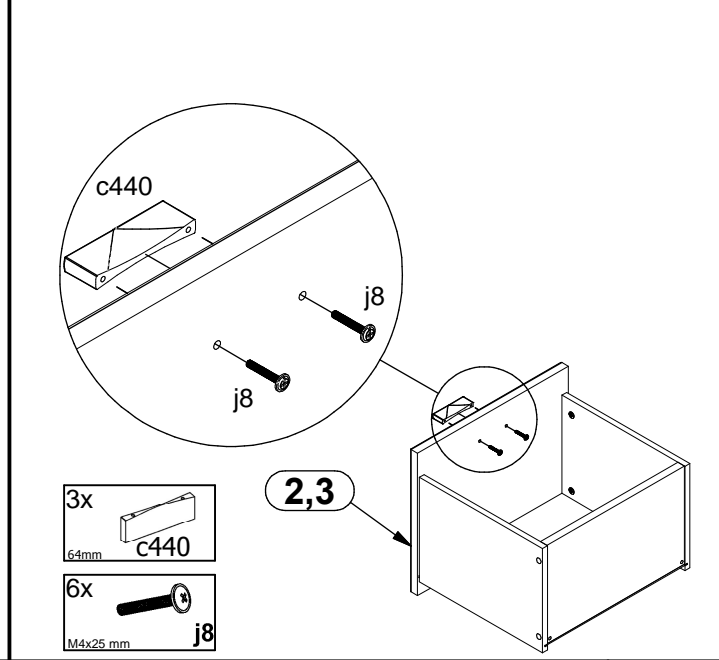
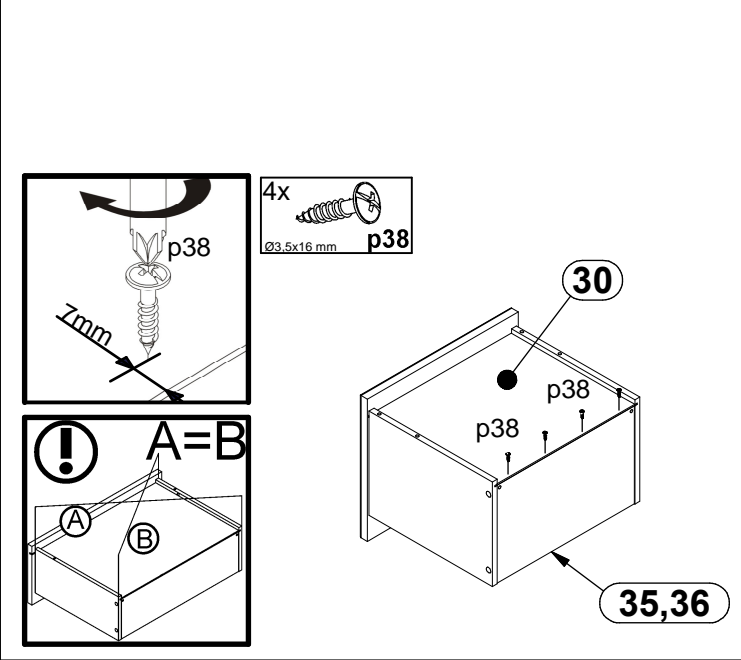
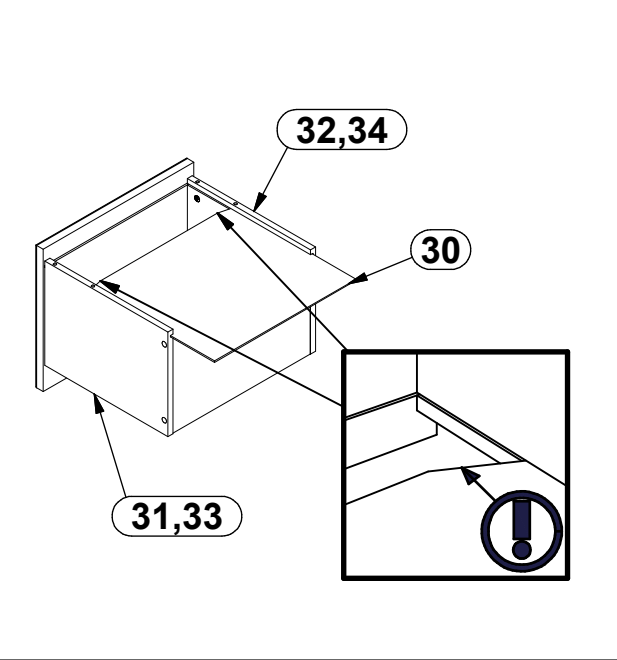
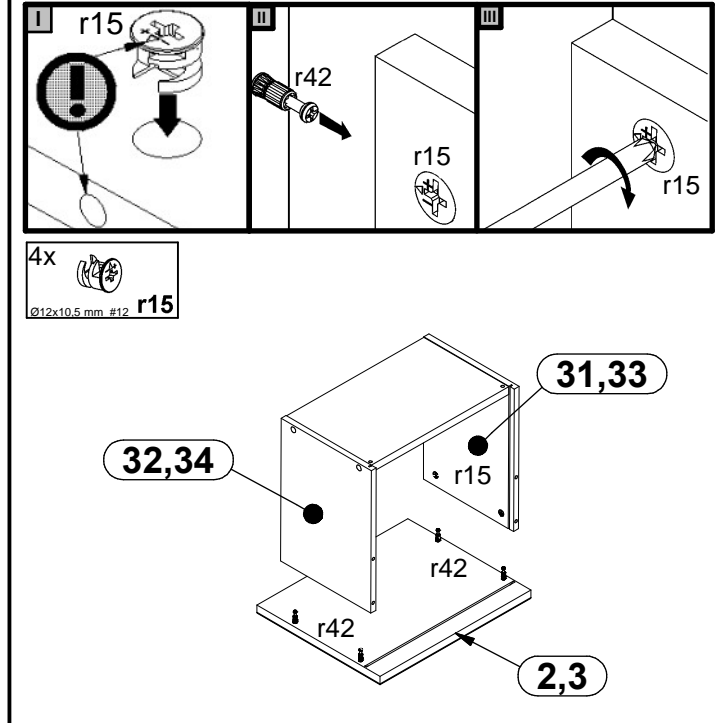
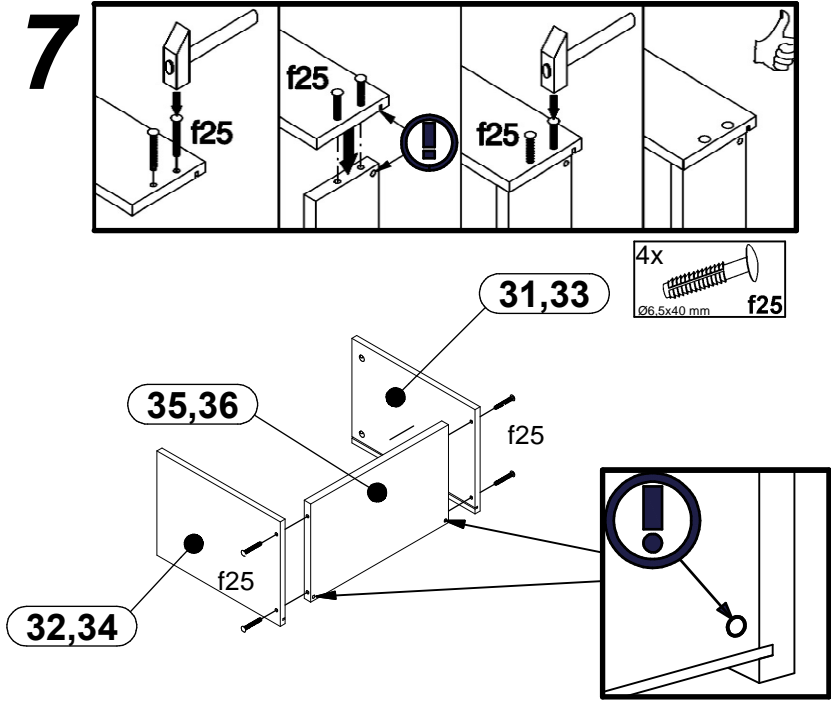
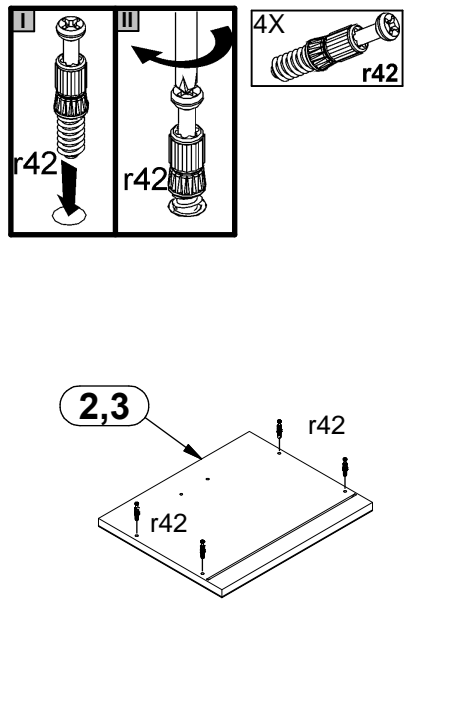




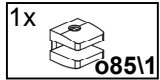
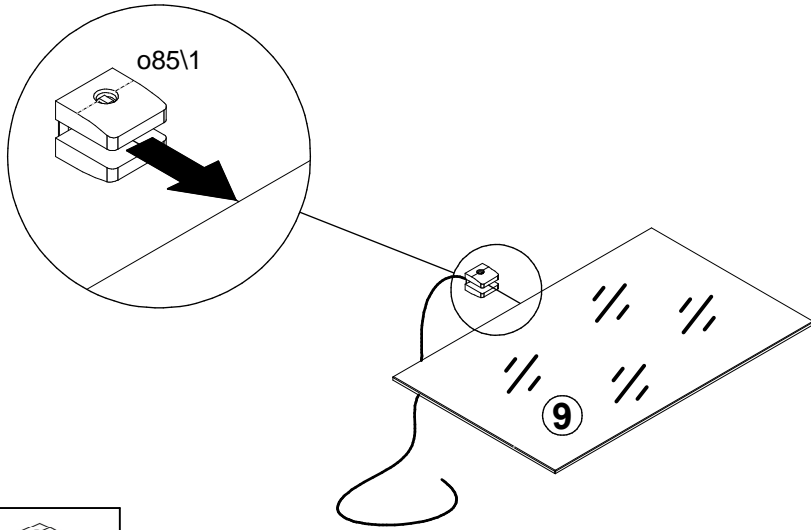




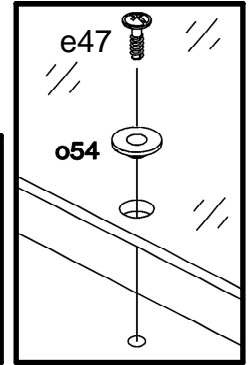
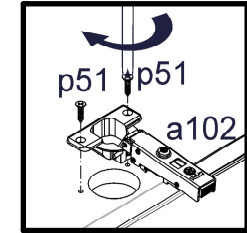
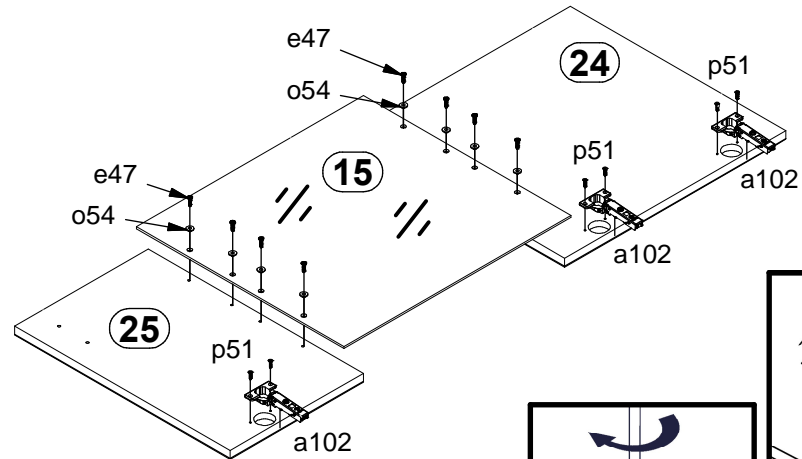
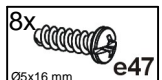
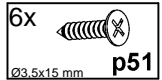
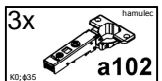
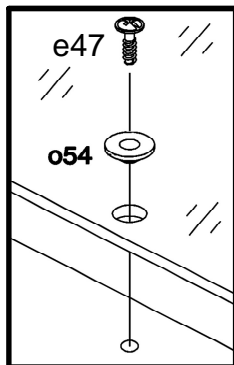
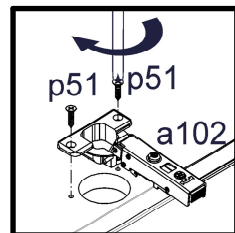
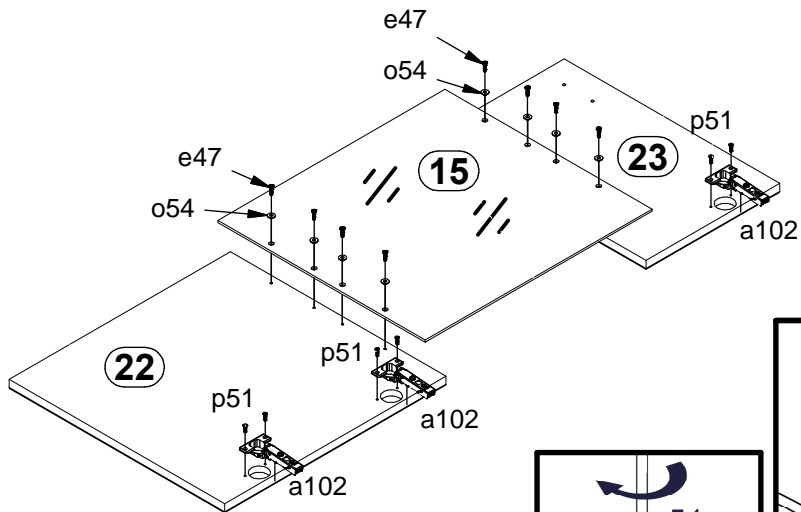
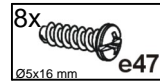
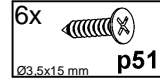
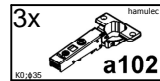
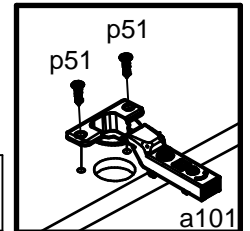
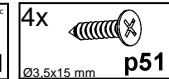
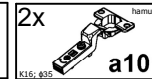
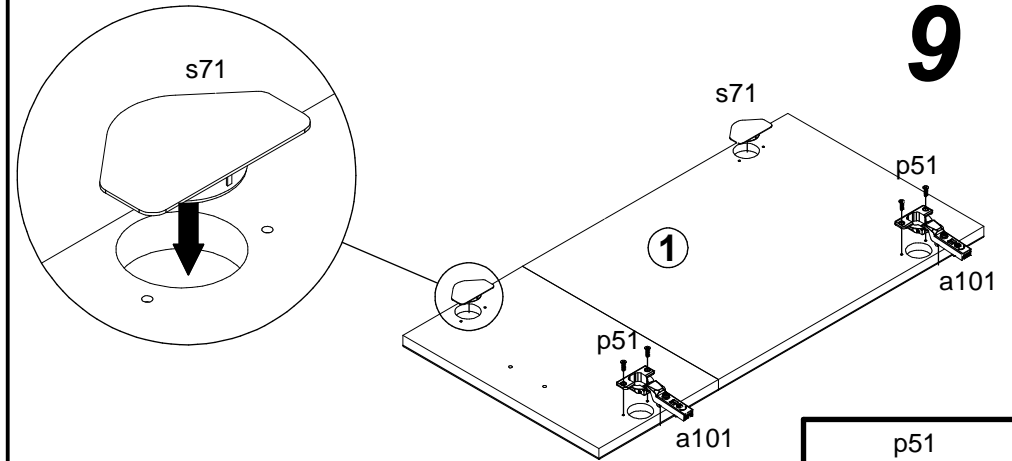




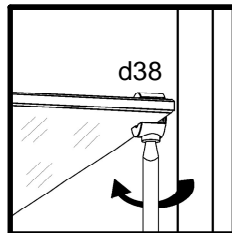
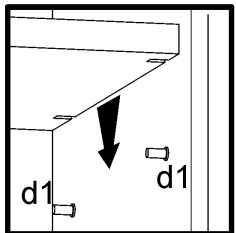
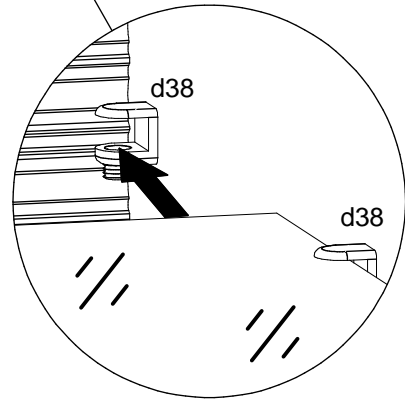
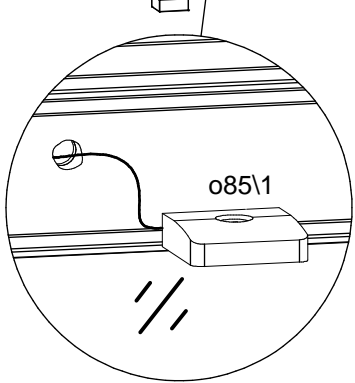
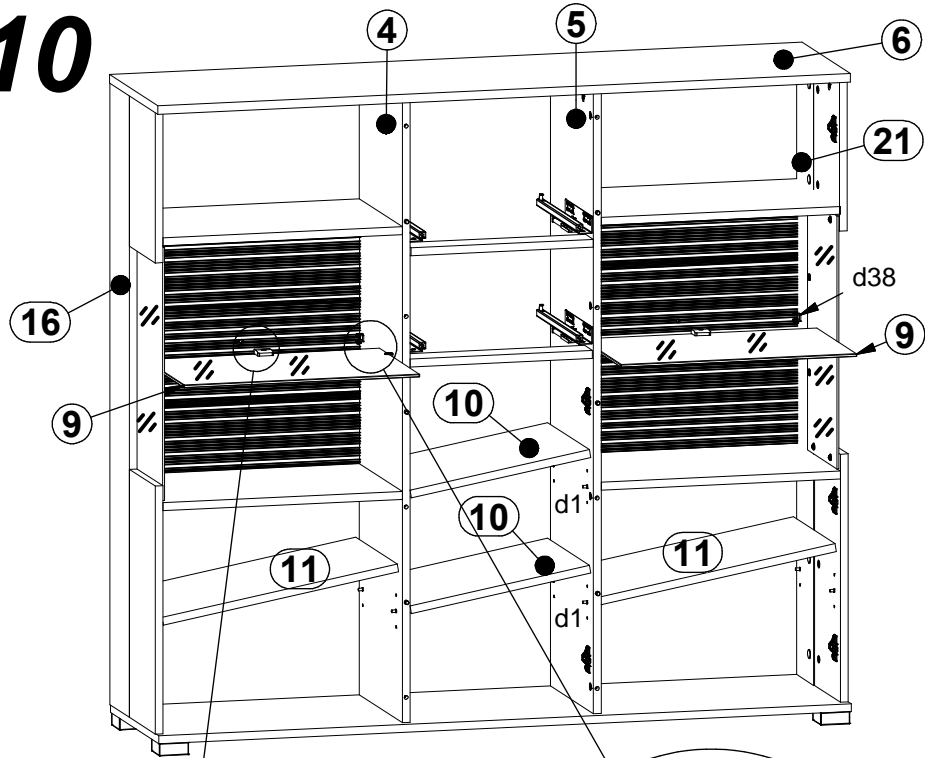
8



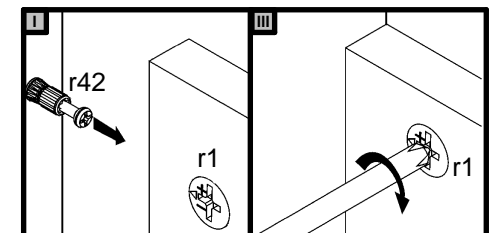
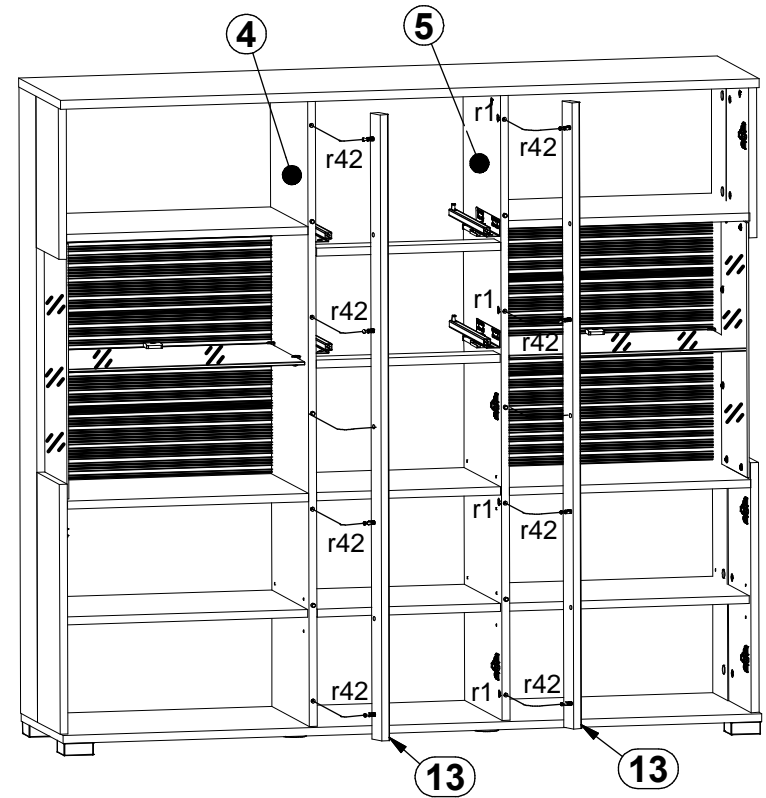
9



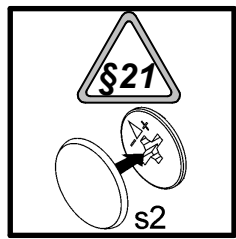
10



11







13

