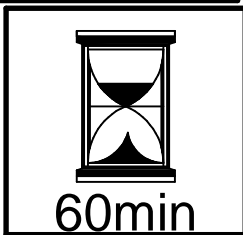
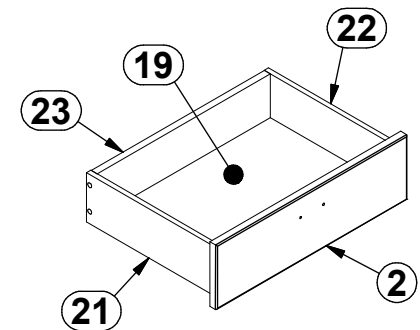
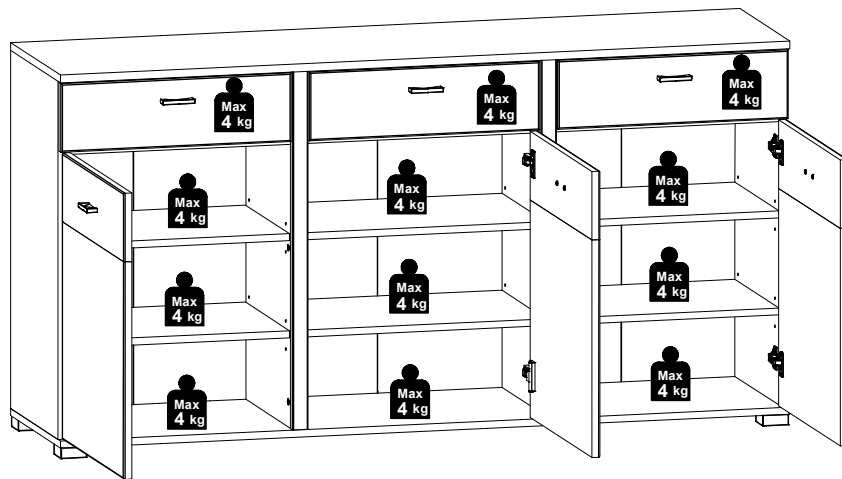
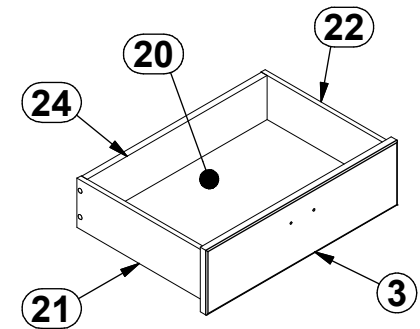
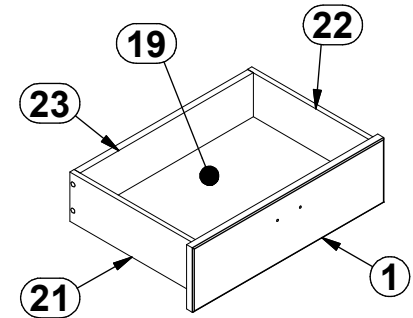
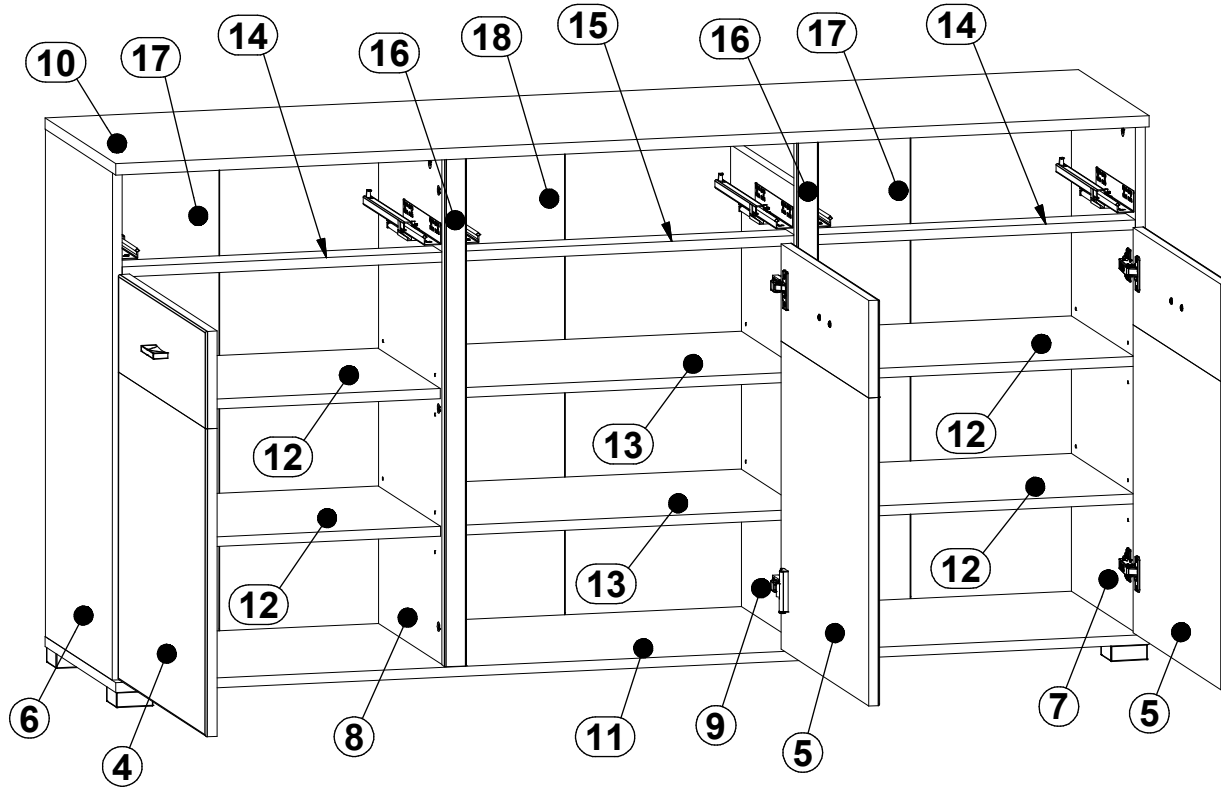
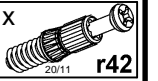
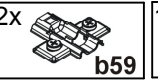
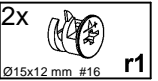
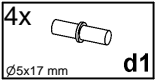
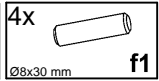
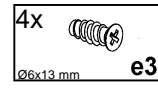
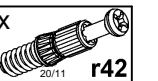
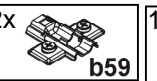
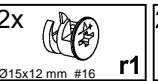
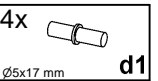
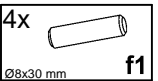
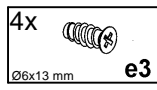
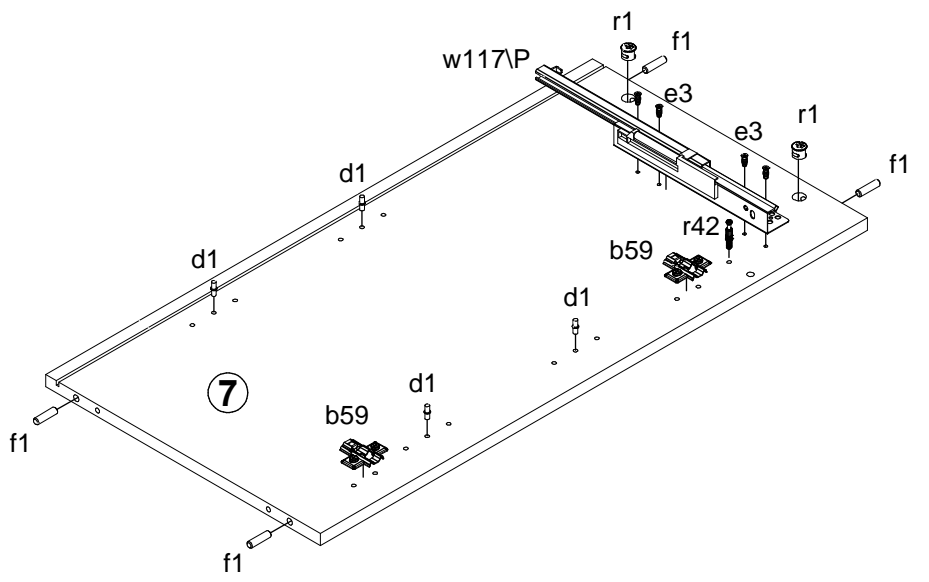
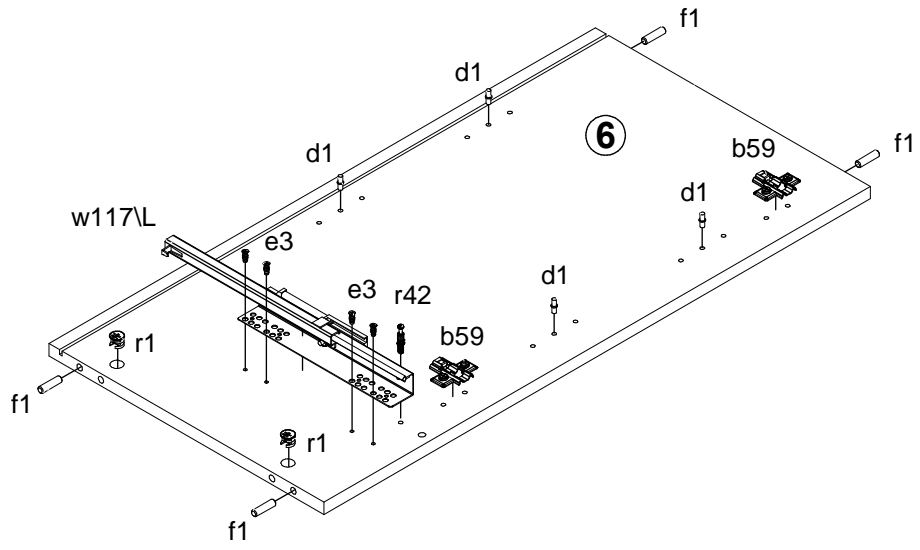
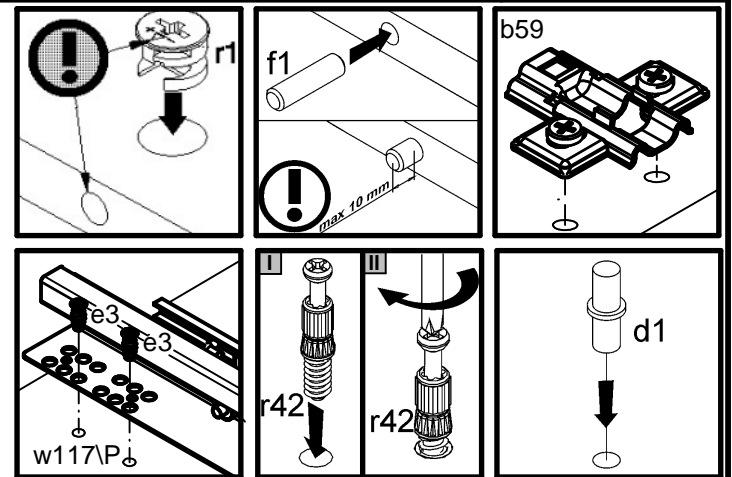
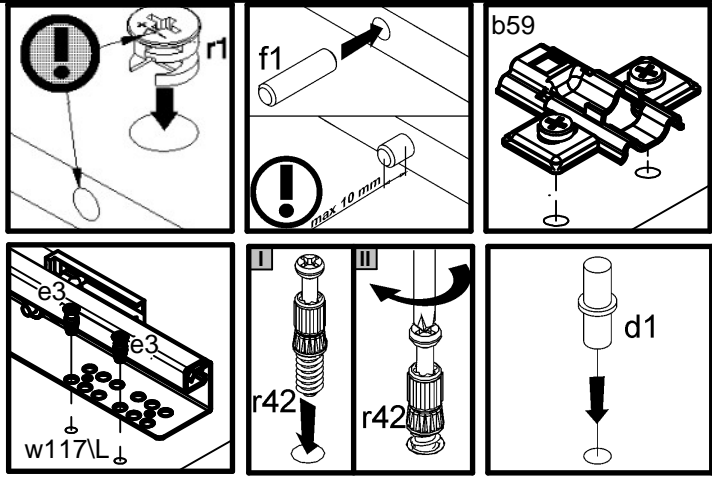


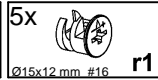
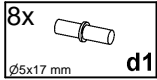
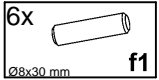
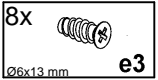
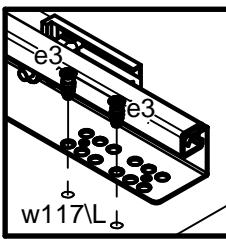
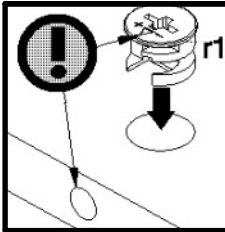
A	B	C (mm)		D
1	S266-0033	157	537	3/3
2	S266-0034	157	537	3/3
3	S266-0035	157	537	3/3
4	S266-0036	654	537	3/3
5	S266-0037	654	537	3/3
6	S266-1036	819	412	1/3
7	S266-1037	819	412	1/3
8	S266-1038	819	392	1/3
9	S266-1039	819	392	1/3
10	S266-2033	1700	434,	2/3
11	S266-2034	1700	434,	2/3
12	S266-3035	526	382	3/3
13	S266-3036	580	382	1/3
14	S266-4001	527	60	2/3
15	S266-4002	581	60	2/3
16	S266-5332	819	36,	1/3
17	S266-9331	829	541	2/3
18	S266-9332	829	595	2/3
19	WSP-9130	497	358	1/3
20	WSP-9131	515	358	1/3
21	WSQ3-505	350	120	1/3
22	WSQ3-506	350	120	1/3
23	WTQ-5201	487	107	2/3
24	WTQ-5202	505	107	2/3



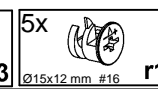
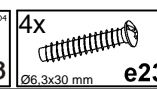
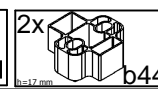
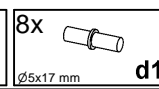
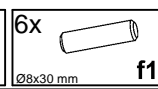
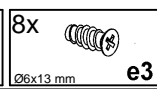
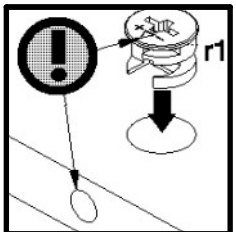
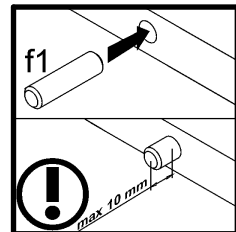
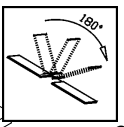
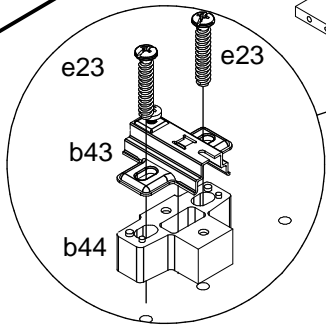
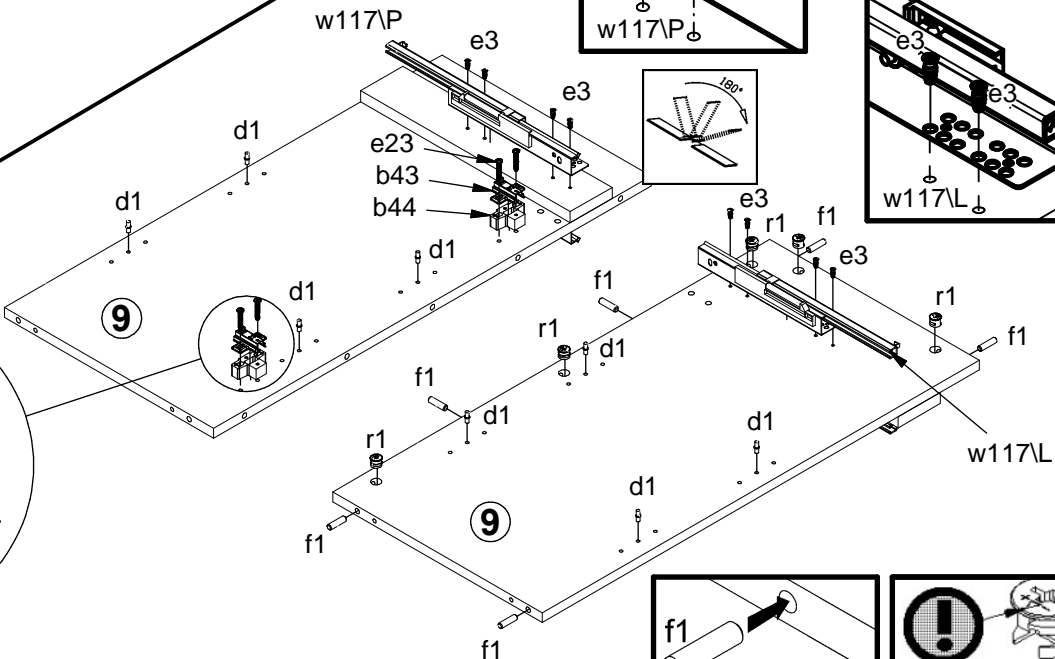
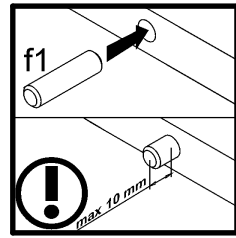
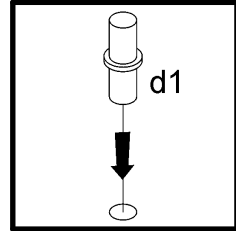
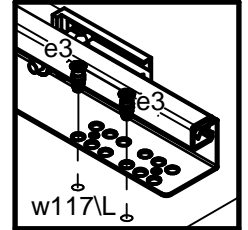
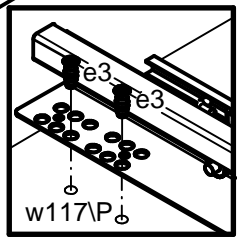
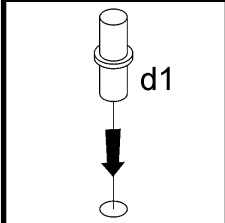
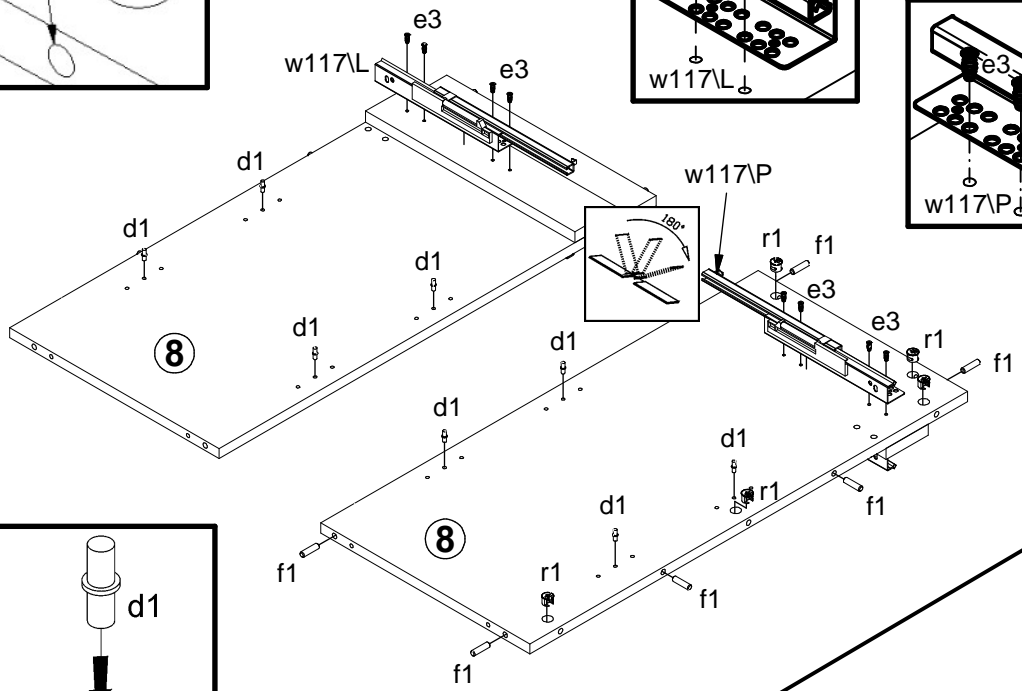
1x a133	2x b43																				
4x a102	2x a160	2x b44	4x b59	6x c440	24x d1	8x e1	24x e3	4x e23	24x f1	2x f6	12x f25	12x j8									
2x k53	4x k55	18x l2	12x n108	8x p6	3x p25	3x p35	2x p36	12x p38	12x p51	18x p55	20x r1	2x r10									
12x r15	28x r42	3x W117/L	3x W117/P	3x t35	6x s2	1x z1			1x f35	1x n14/2	1x p17	2x p38									







1

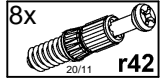
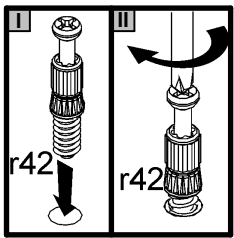


A

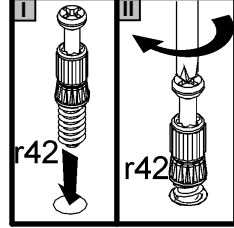
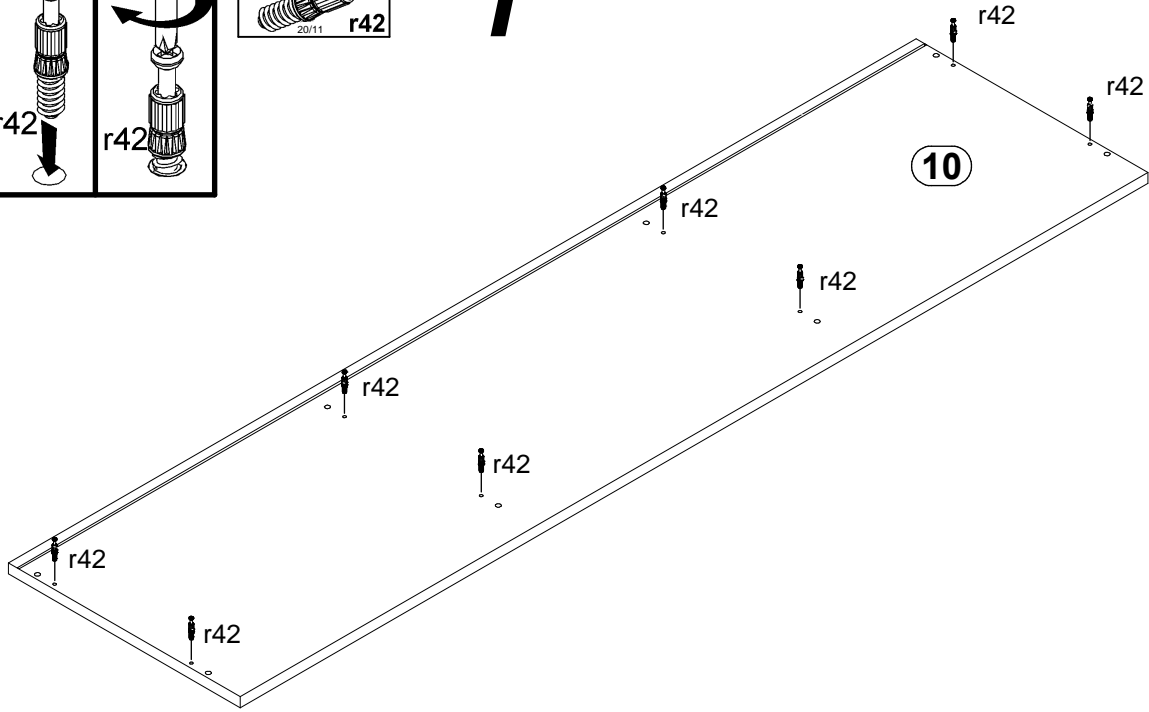
S266-KOM3D3S/9/17

10D7--20

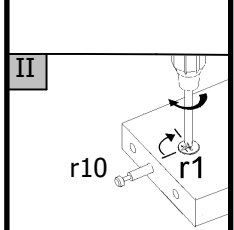
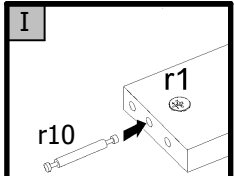
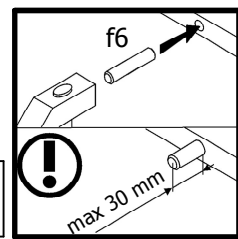
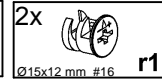
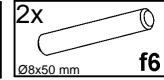
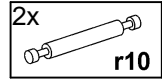
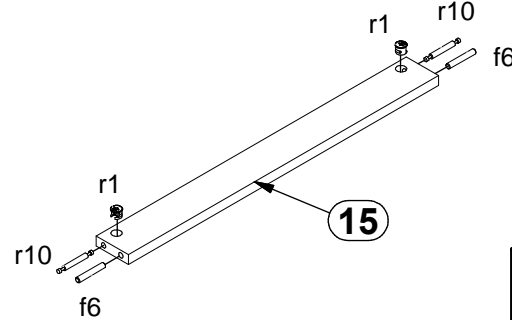
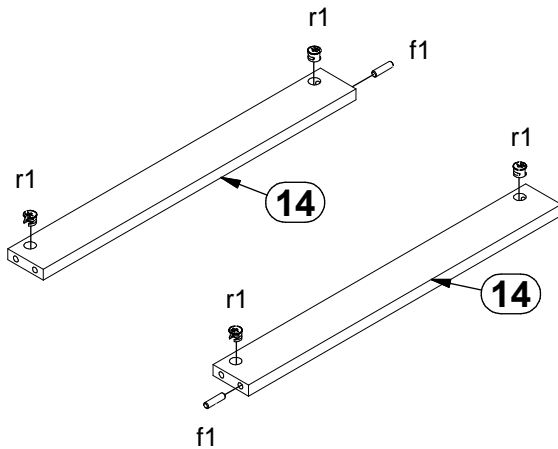
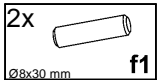
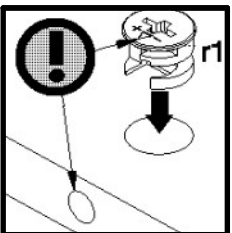
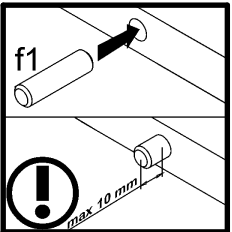
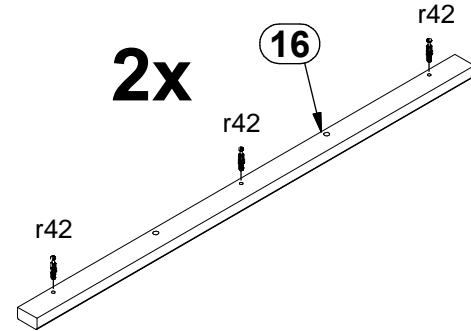
6 / 14

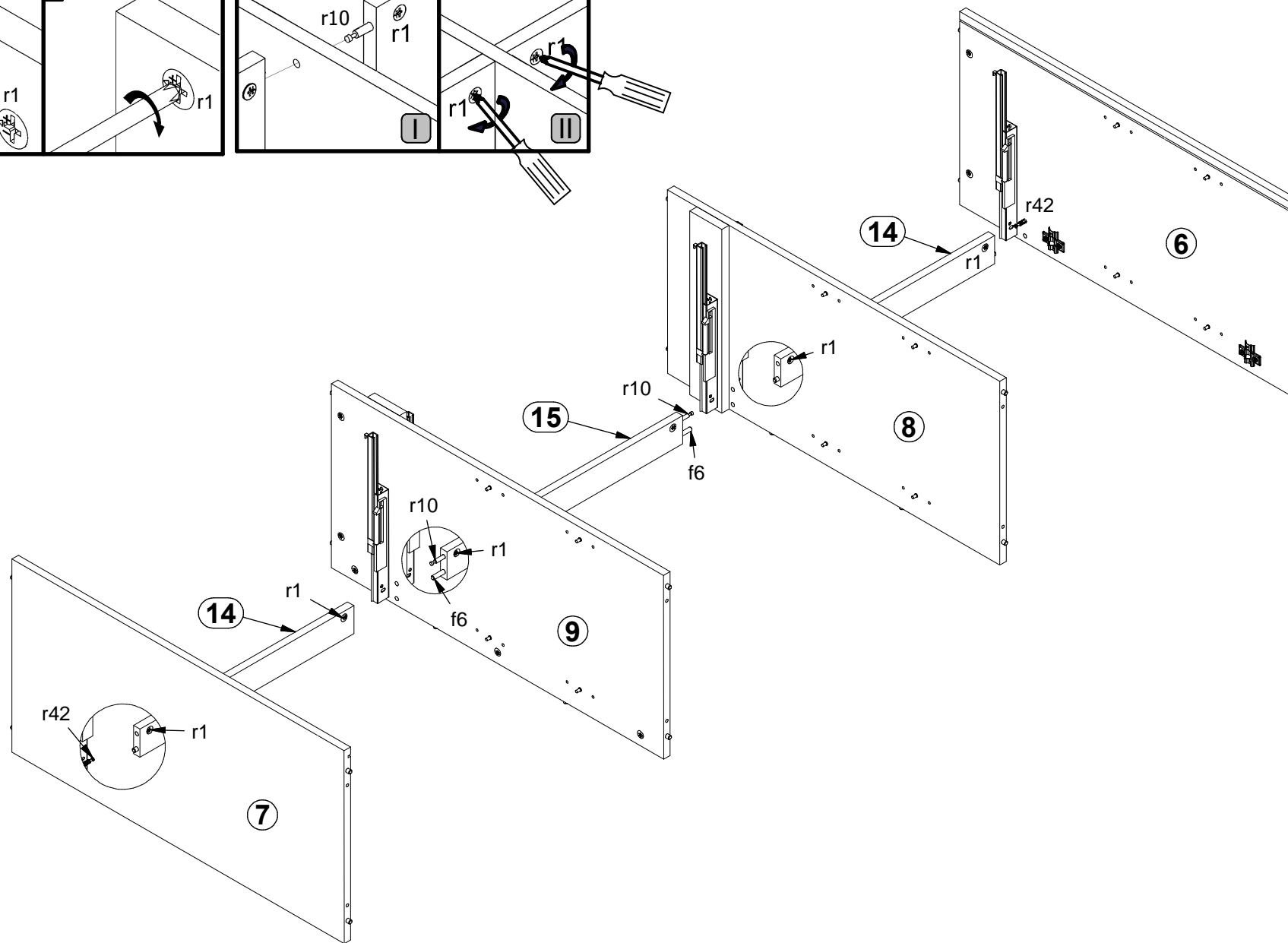
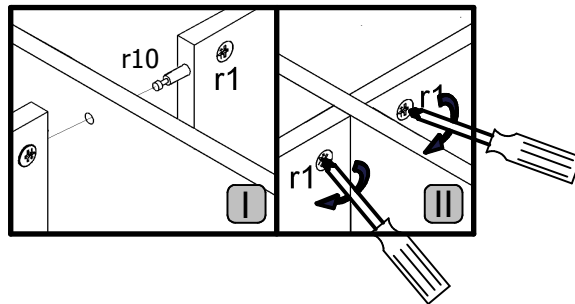
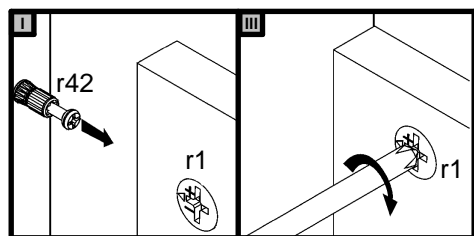


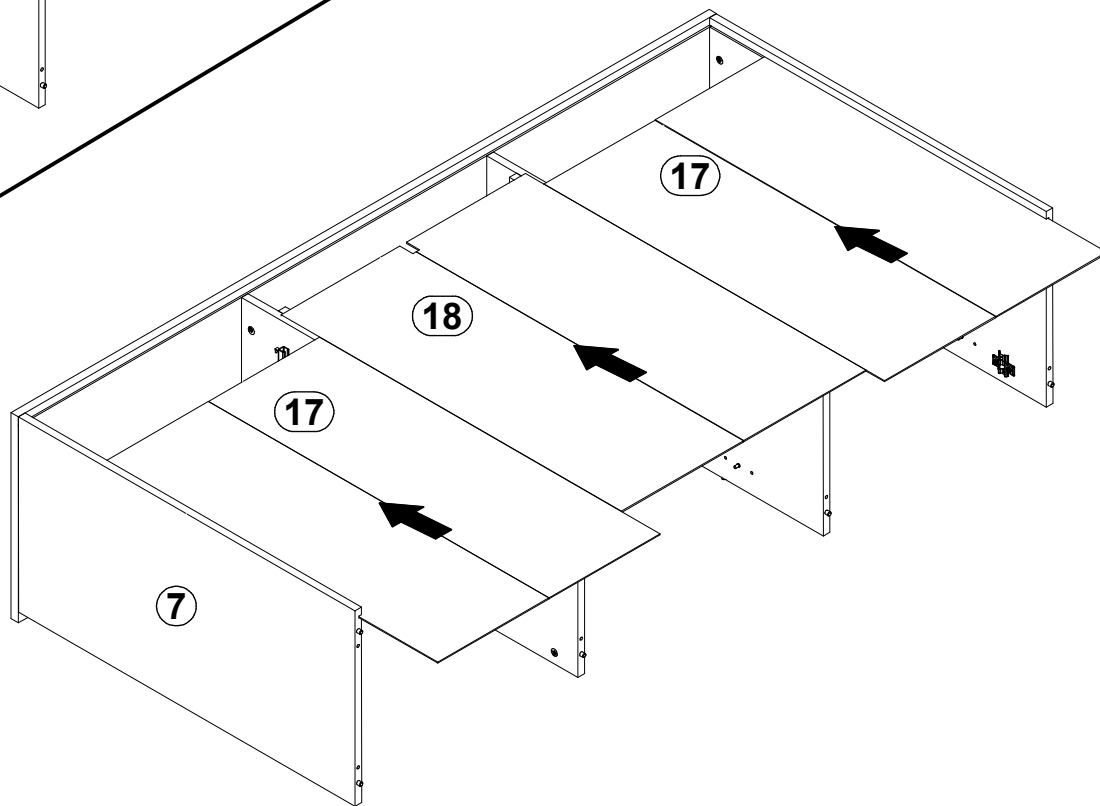
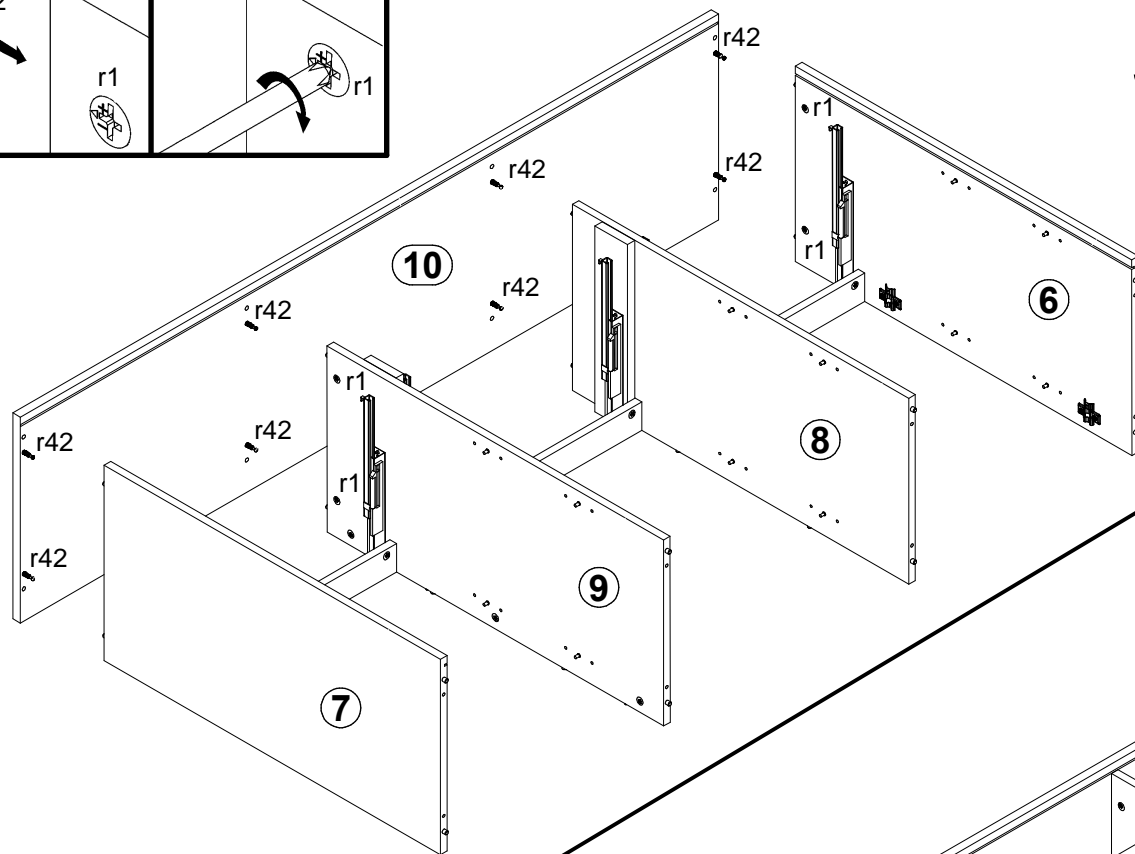
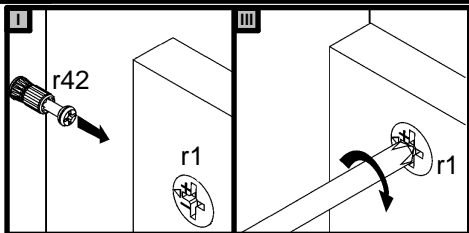
1

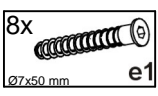
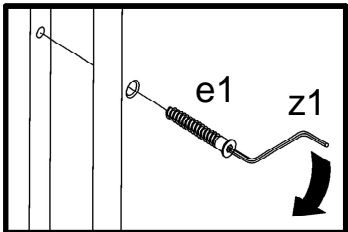


2x

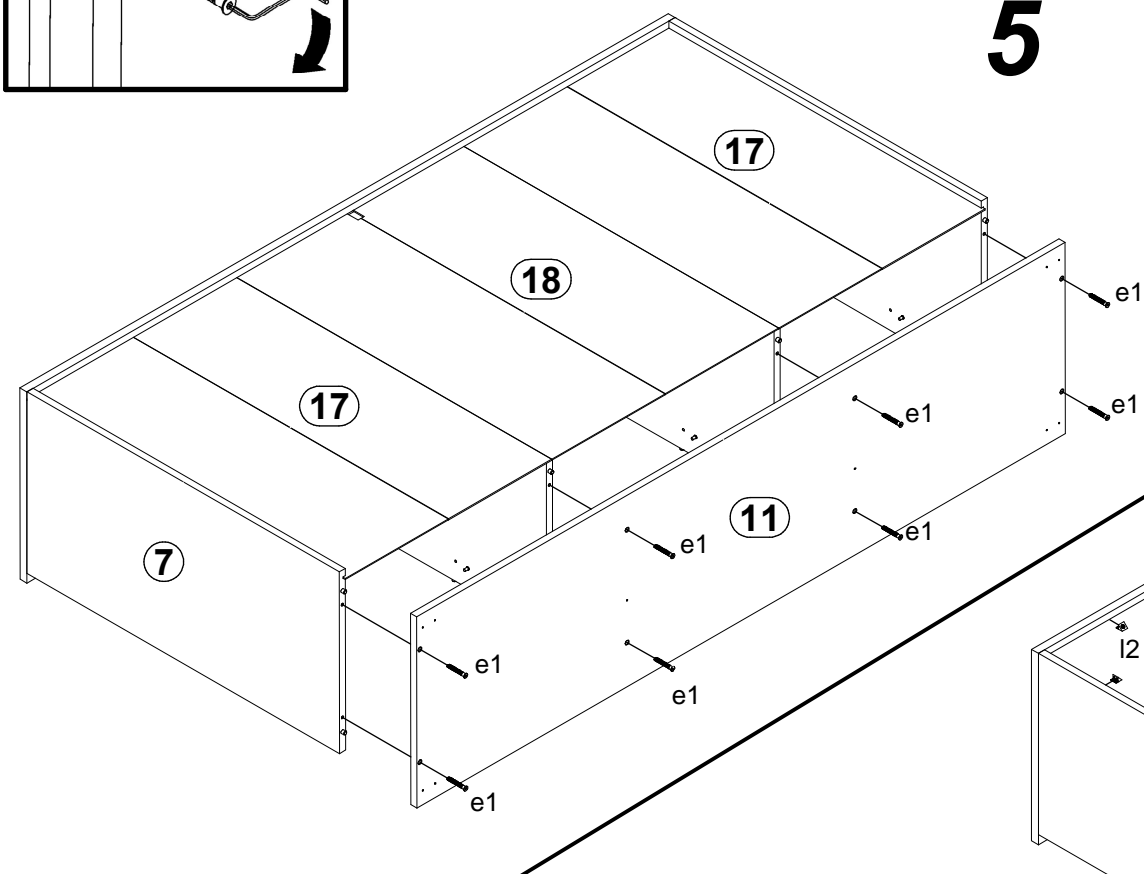




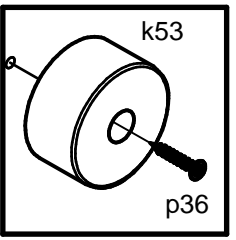
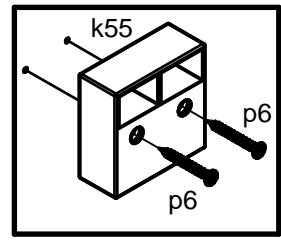
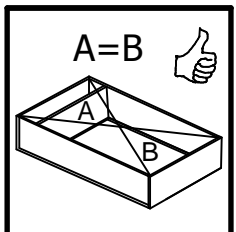
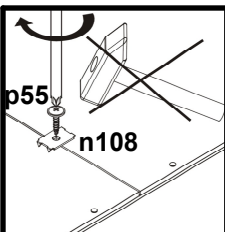
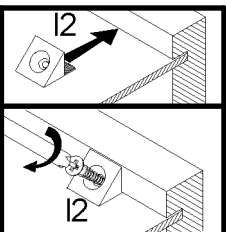
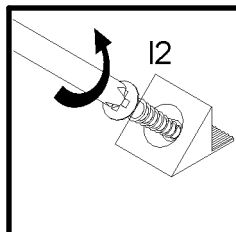
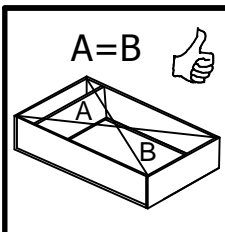
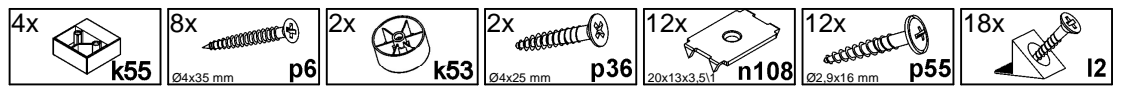
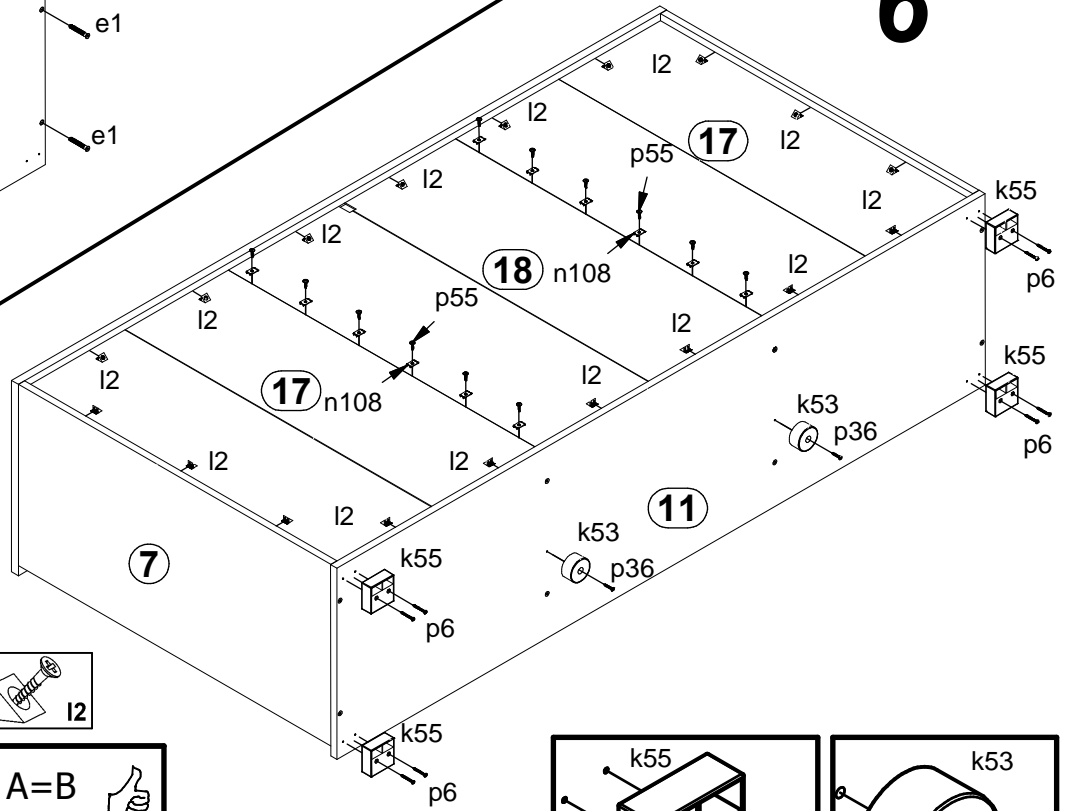




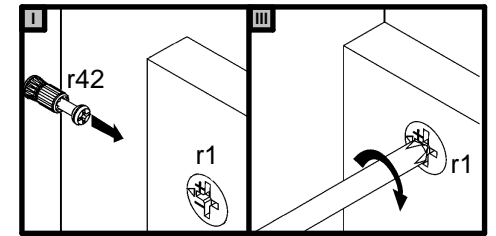
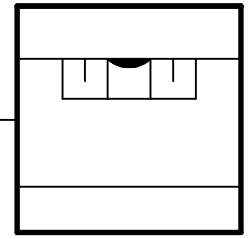
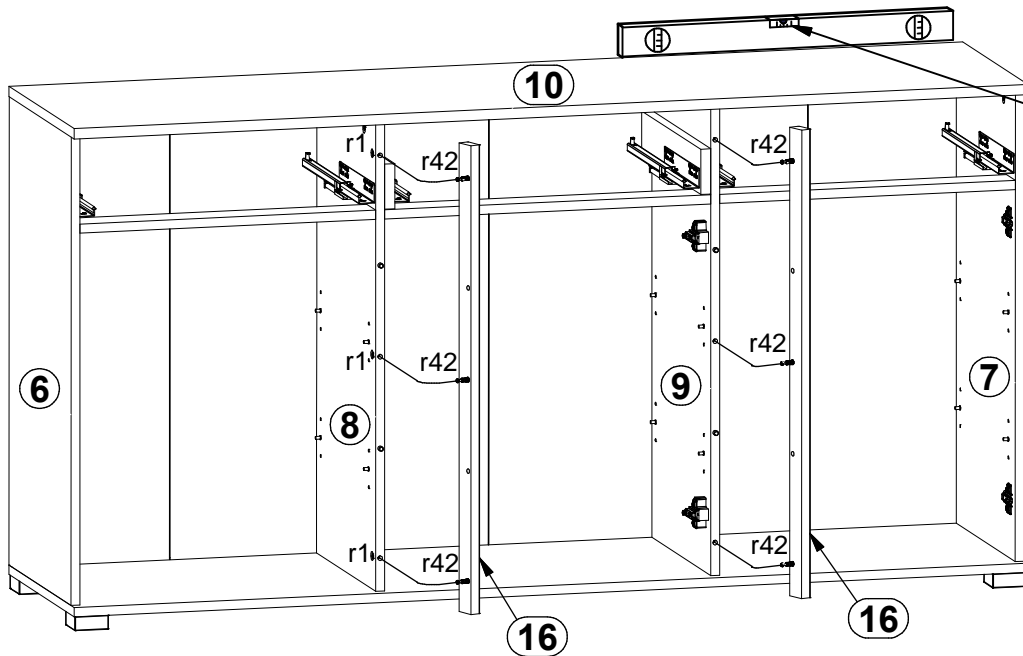
5



6

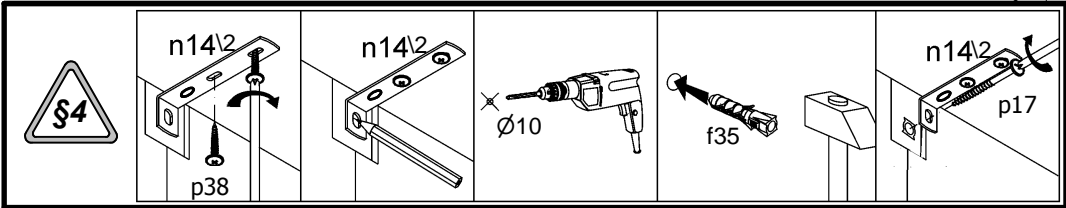
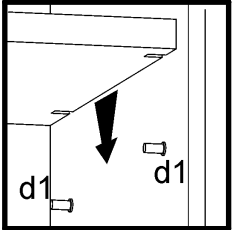
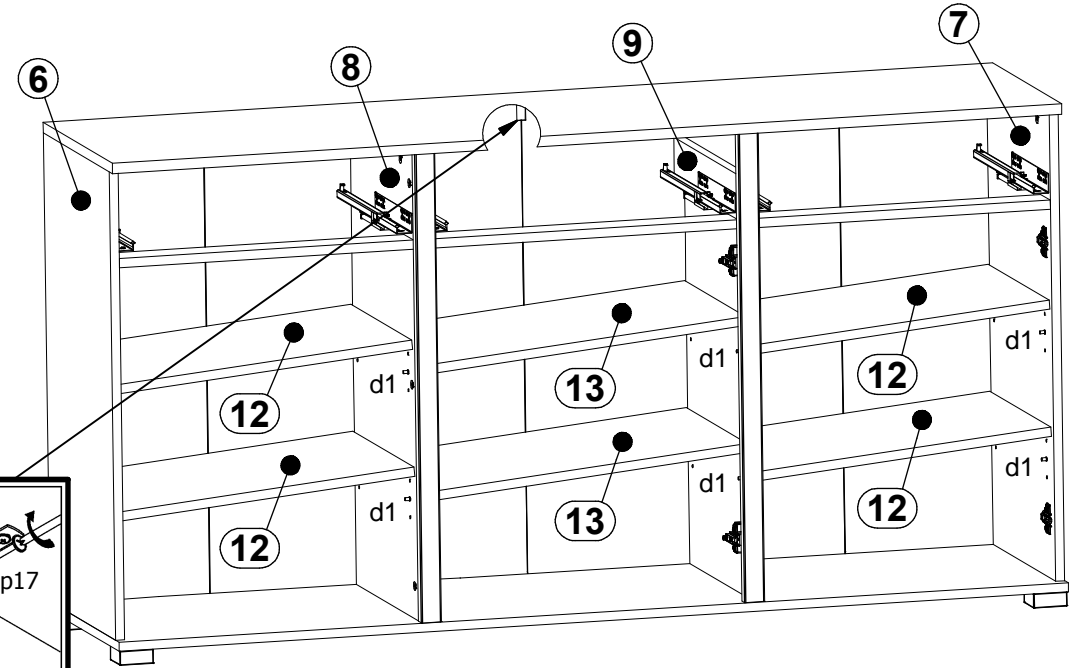


7



- 1x f35
- 1x n14/2
- 1x p17
- 2x p38

8



4X r42

9 S7

r42 r42

10mm 28mm

4X r42

3

r42 r42

10mm 10mm

4X r42

2

r42 r42

28mm 10mm

f25 f25 f25

r15 r42 r15 r15

4x f25

21

23,24

22 f25

4x r15

23,24

21

22 r15

r42

1,2,3

1,2,3

22

19,20

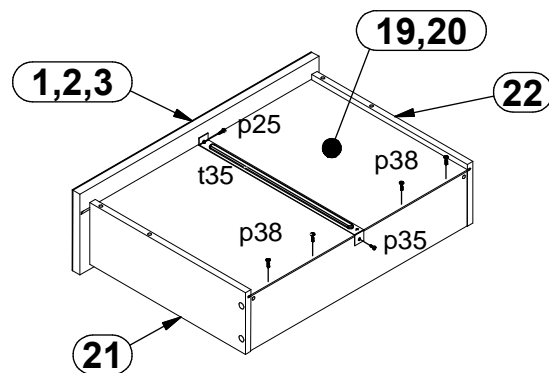
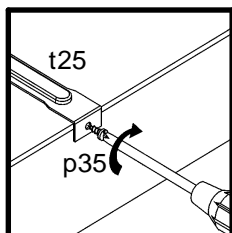
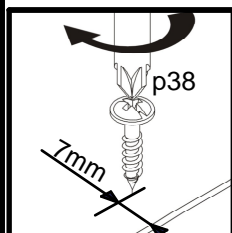
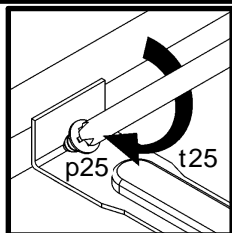
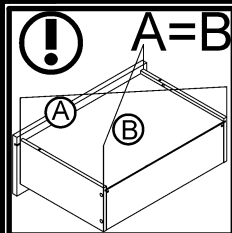
21

A

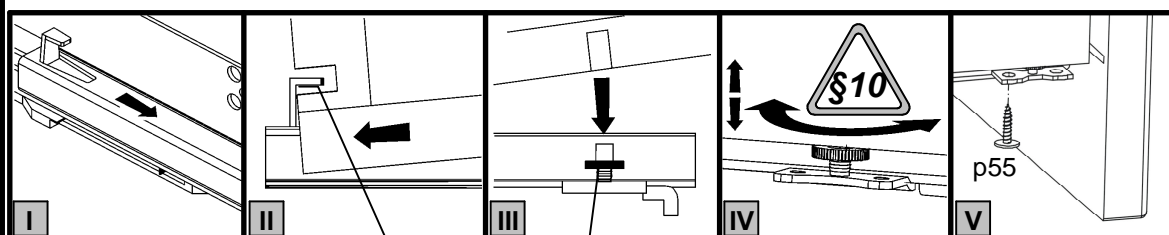
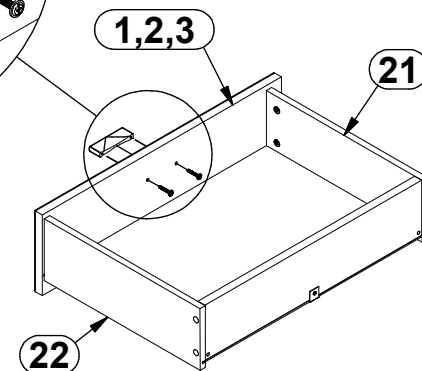
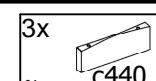
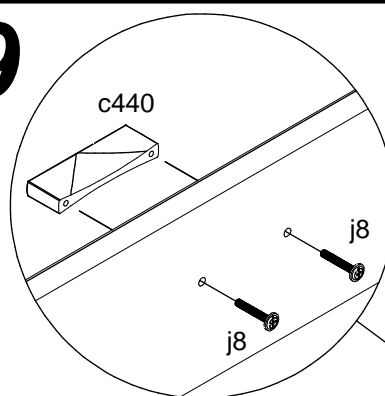
S266-KOM3D3S/9/17

10D7--20

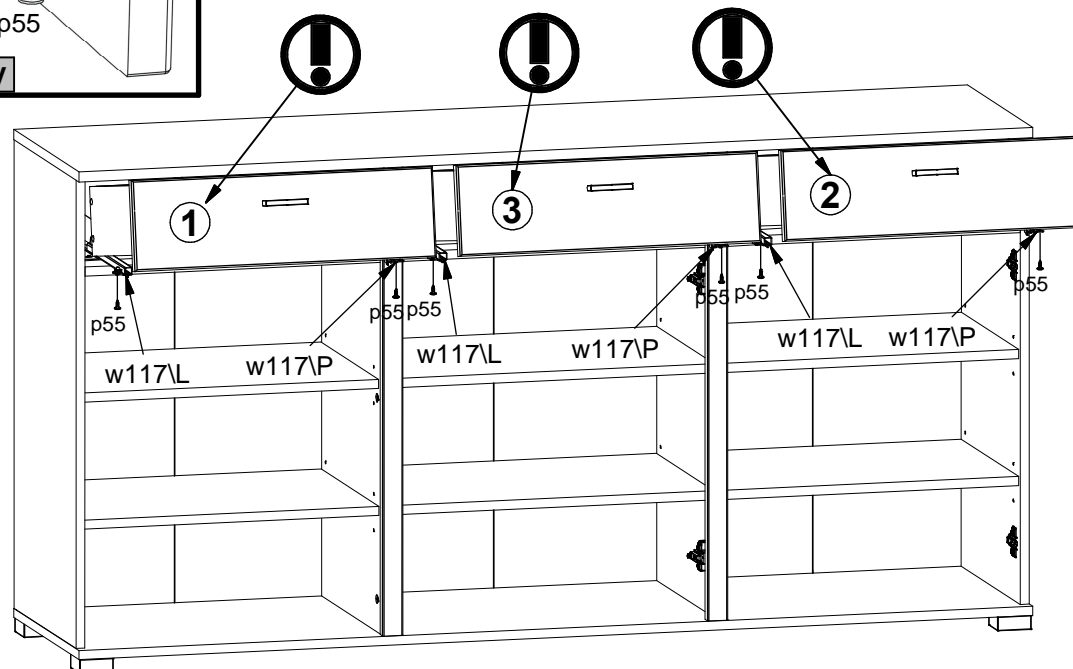
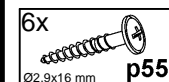
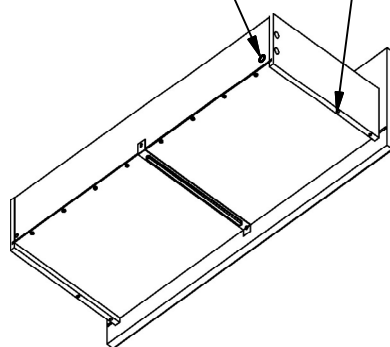
12 / 14



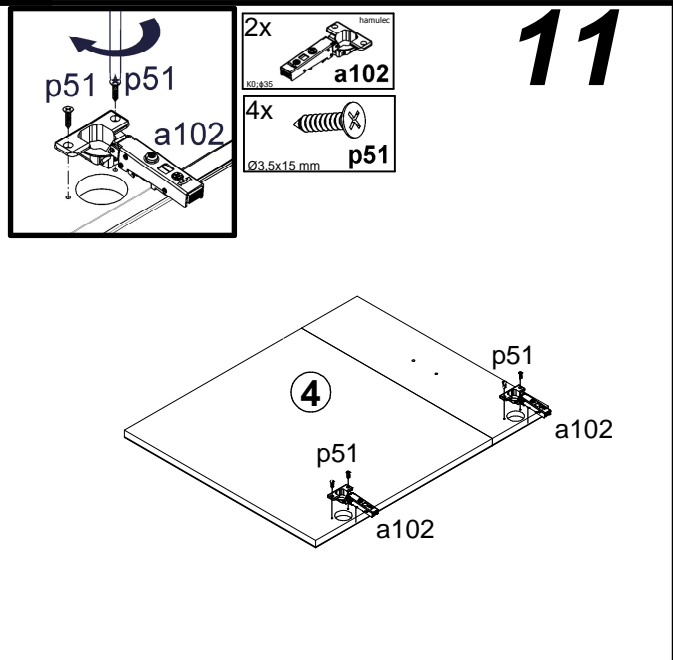
9



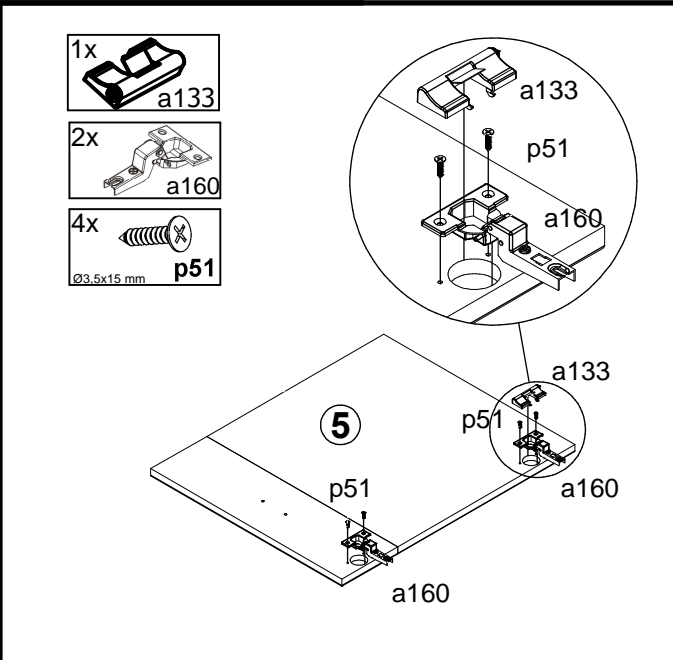
10



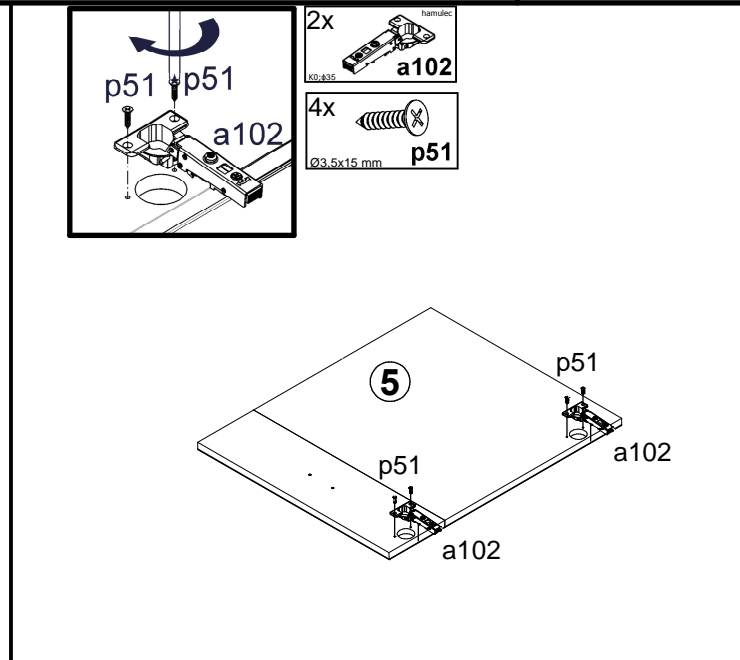
11



2x **a102** hamulec
4x **p51** Ø3,5x15 mm

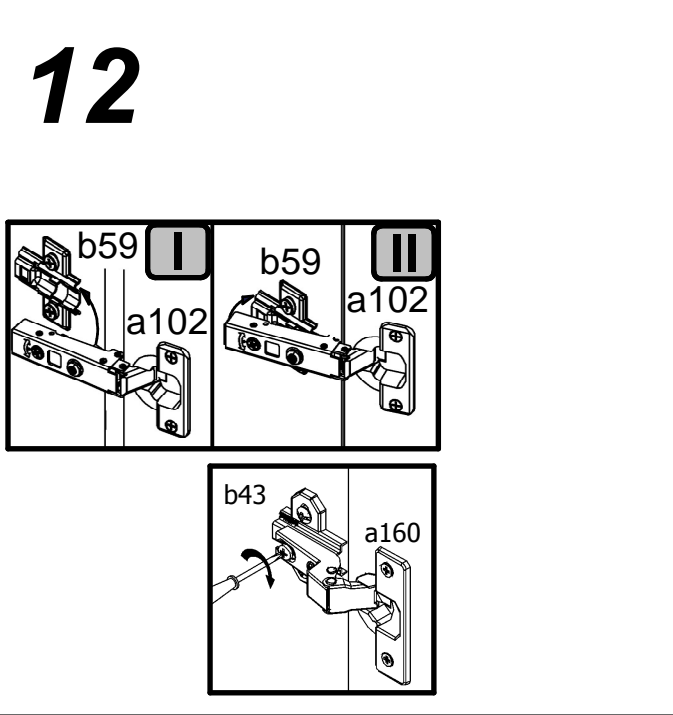


1x **a133**
2x **a160**
4x **p51** Ø3,5x15 mm

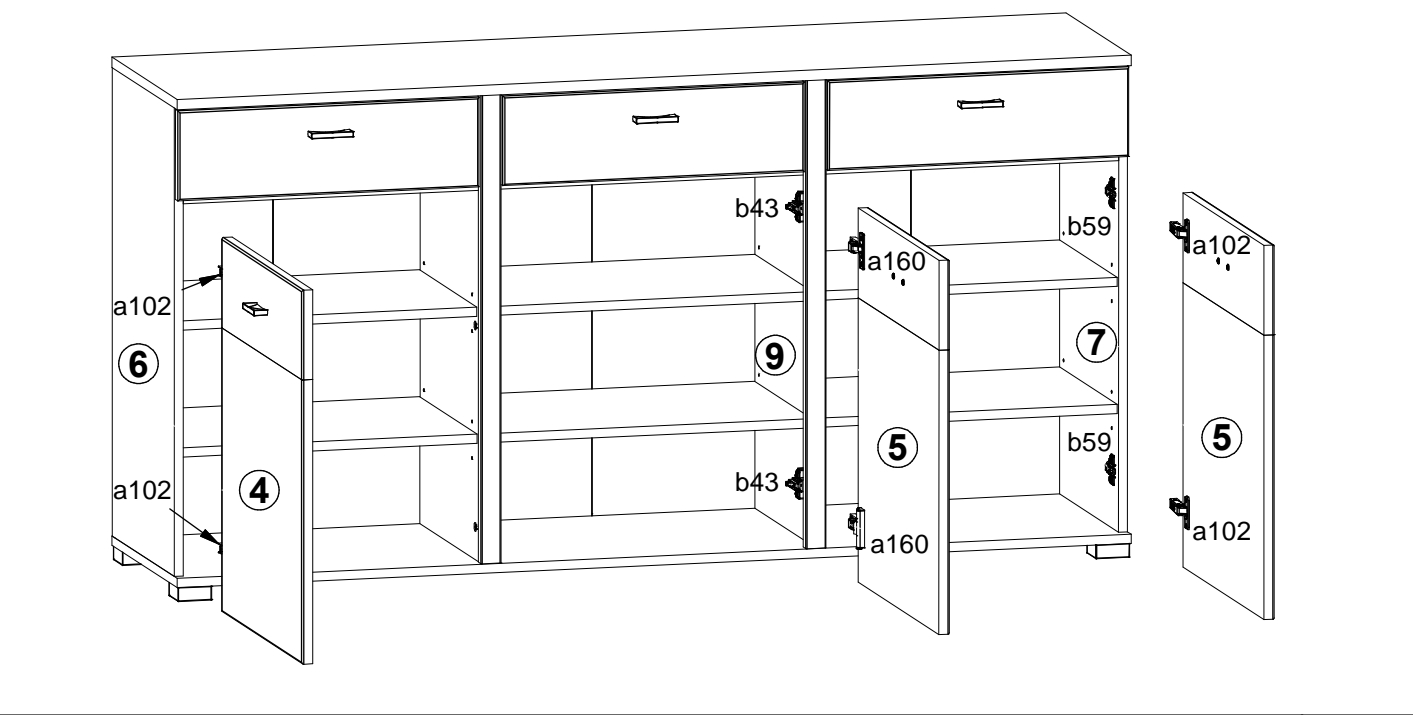


2x **a102** hamulec
4x **p51** Ø3,5x15 mm

12



b59 **a102**
b59 **a102**
b43 **a160**



6 **4** **9** **5** **7** **5**

a102 **a102** **a160** **a160** **a102** **a102**

b43 **b43** **b59** **b59**

13

