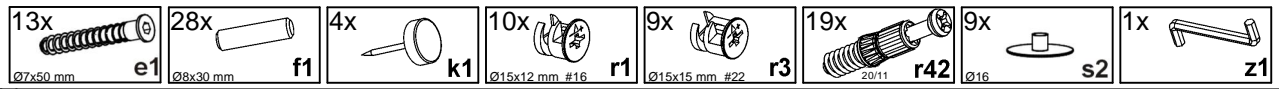
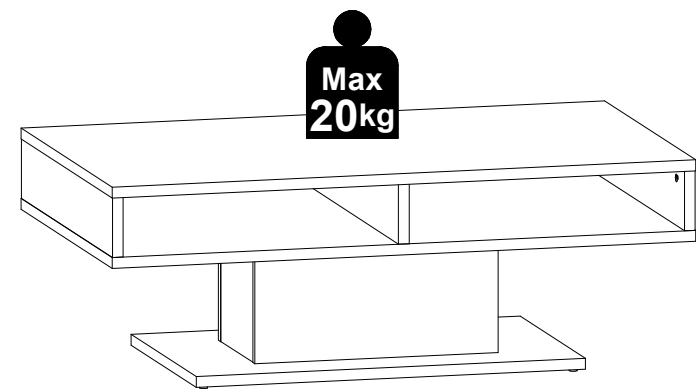


A	B	C (mm)		D
1	S266-1009	698,	120	1/2
2	S266-1011	248	244	1/2
3	S266-1012	500	244	1/2
4	S266-2009	1200	700	2/2
5	S266-2010	1200	700	1/2
6	S266-2011	800	500	2/2

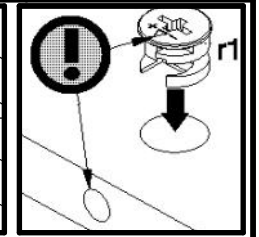
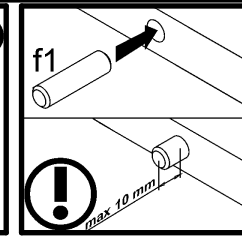
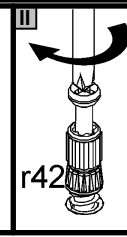
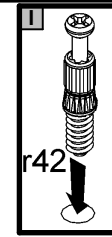
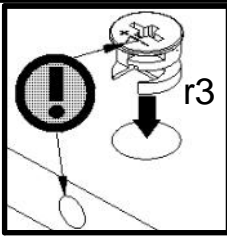
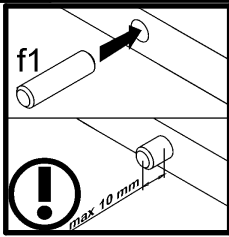


A

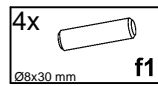
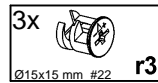
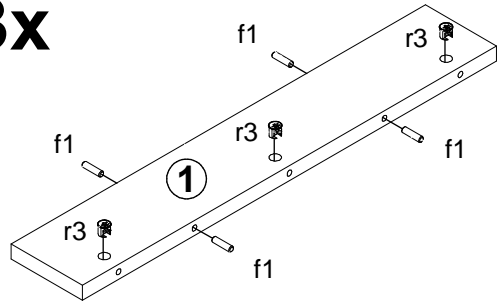
S266-LAW/4/12

29D7--02

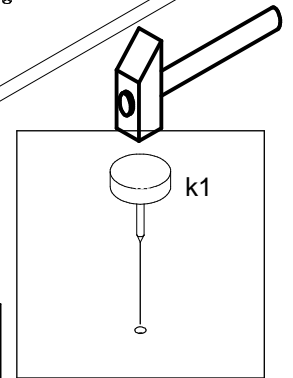
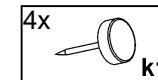
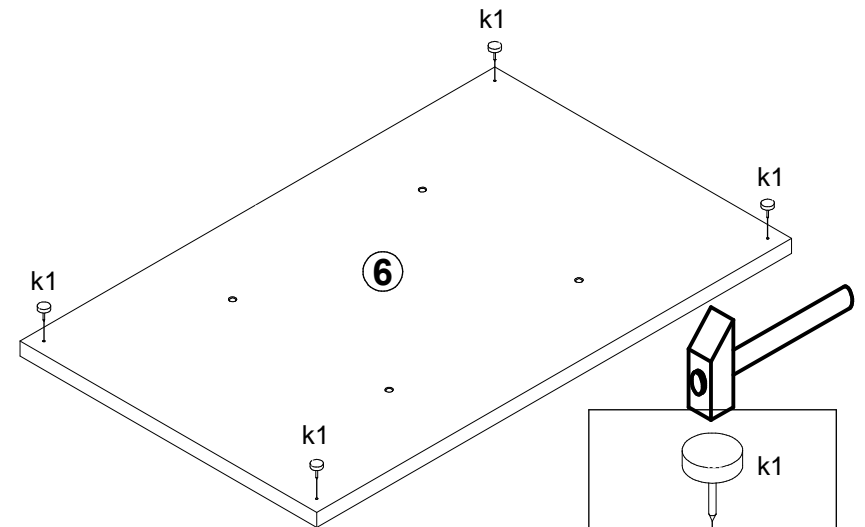
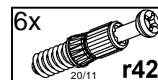
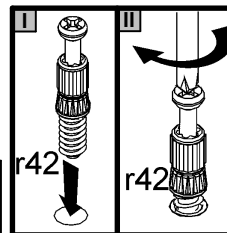
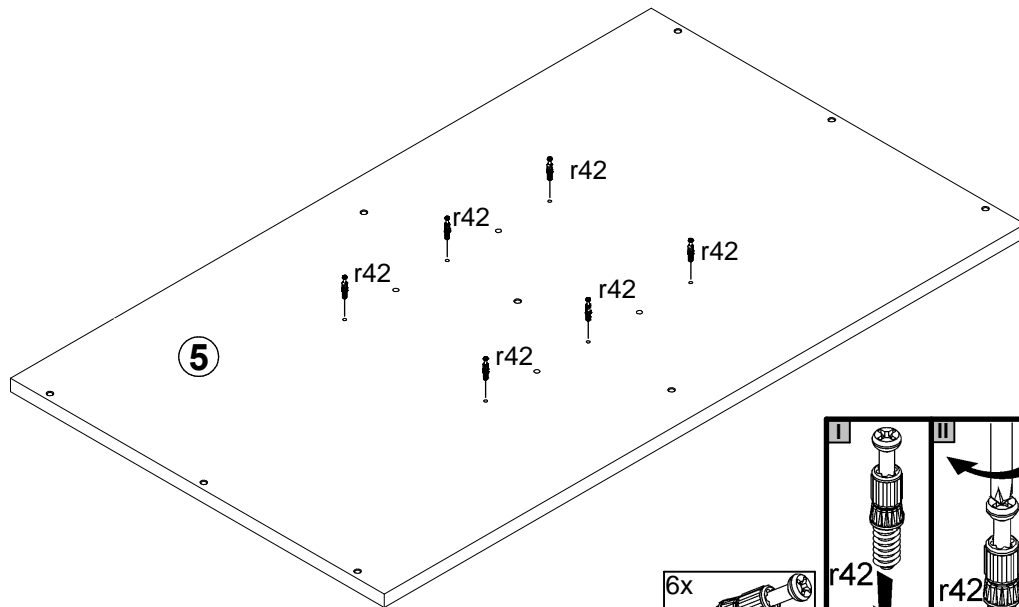
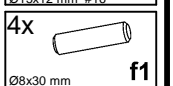
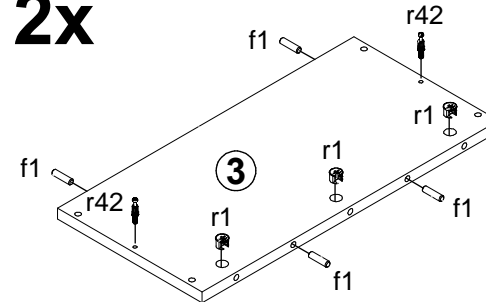
3 / 6



3x



2x

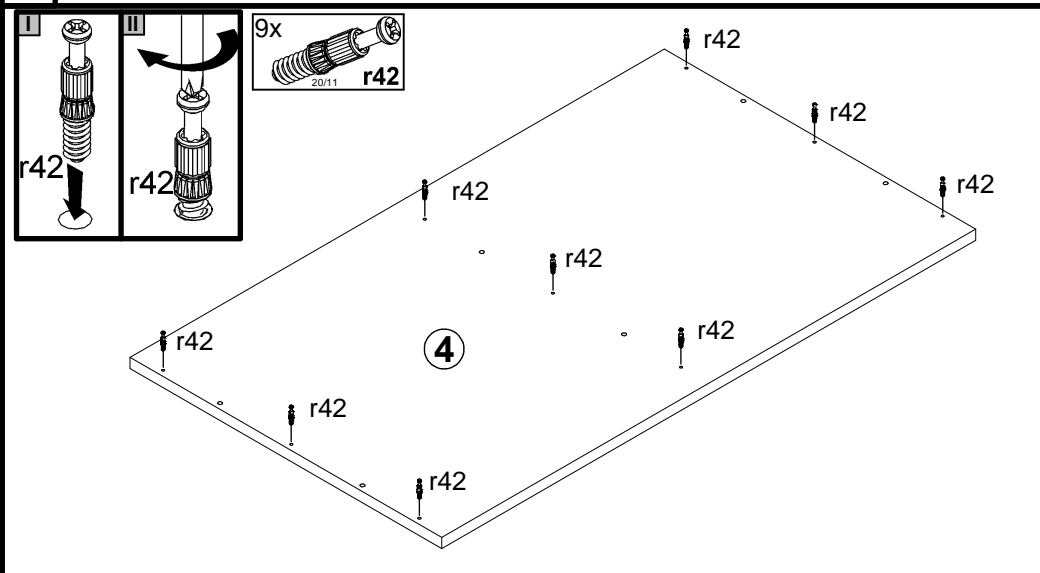


A

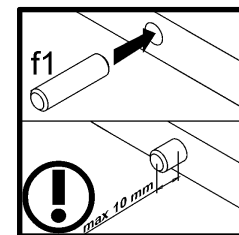
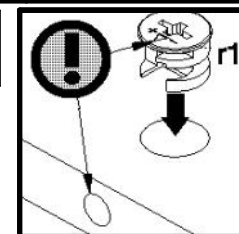
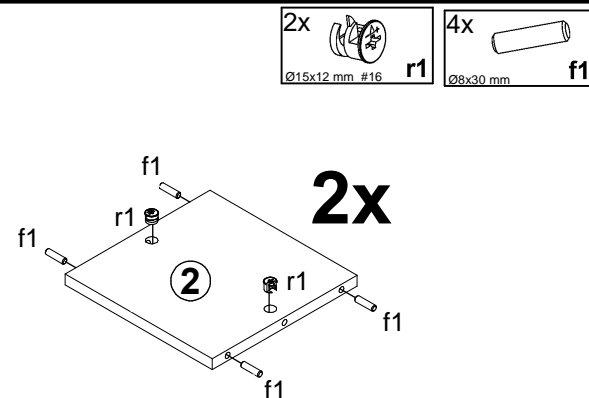
S266-LAW/4/12

29D7--02

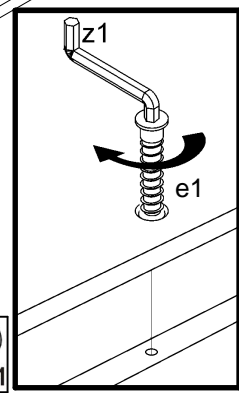
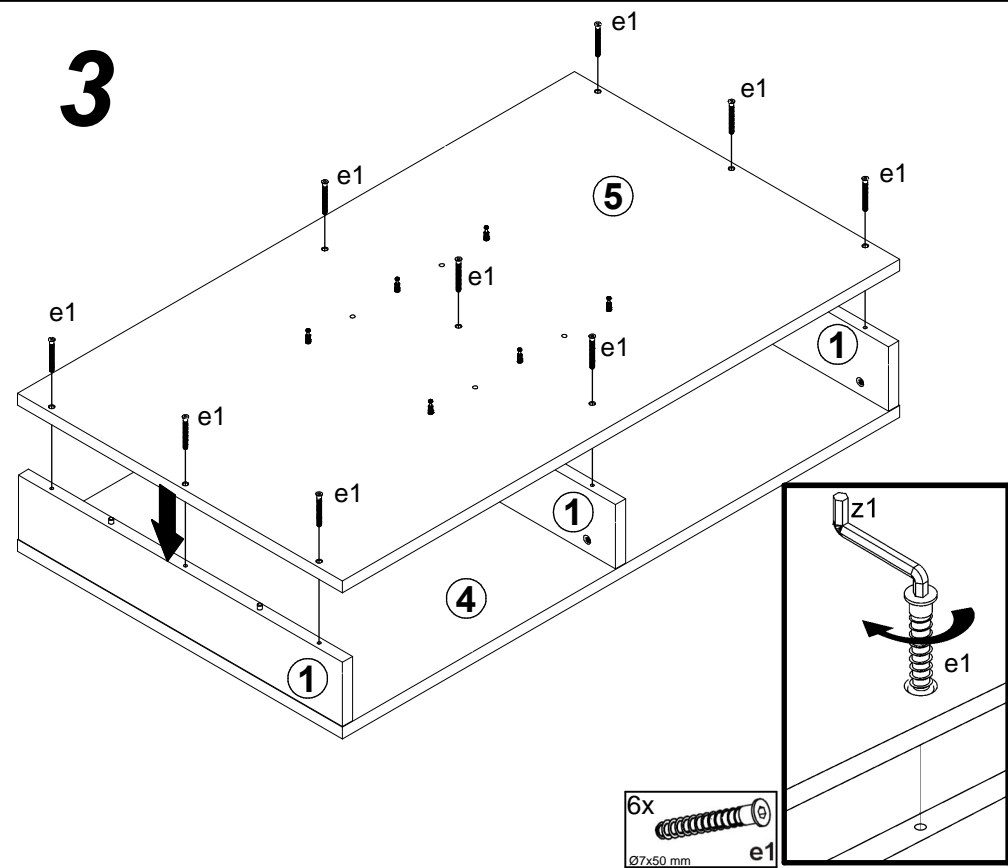
4 / 6



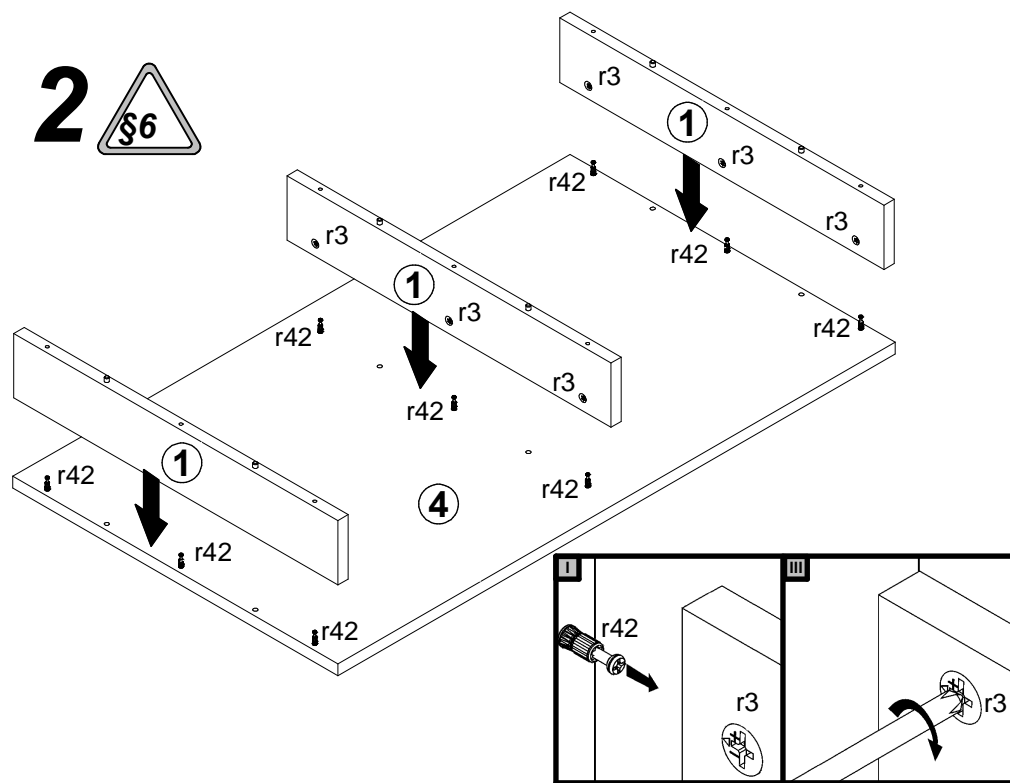
1

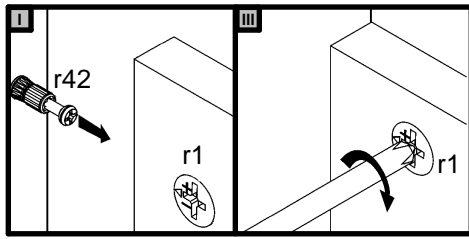


3

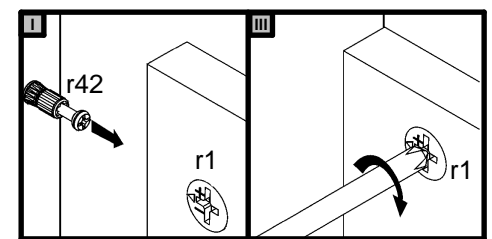
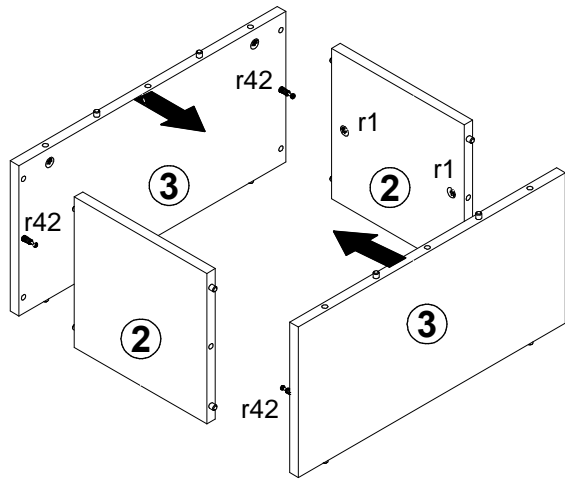


2

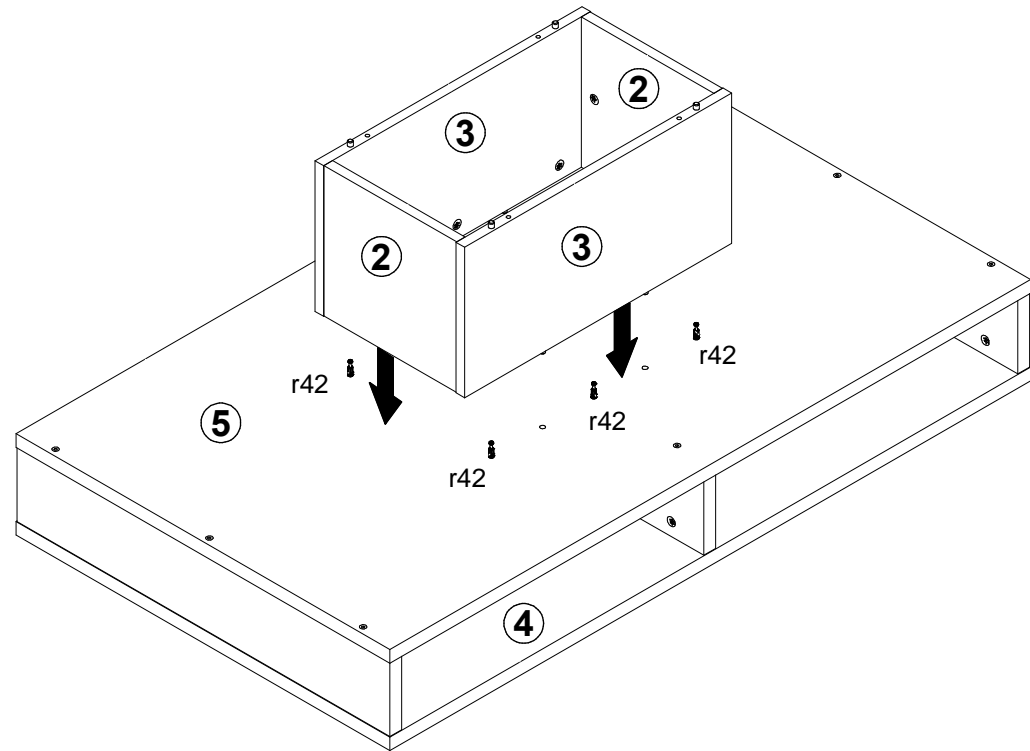


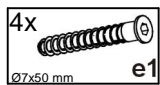
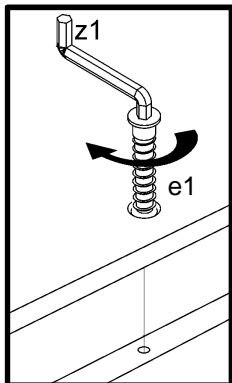


4

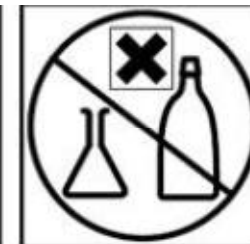
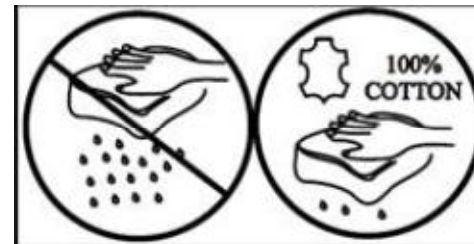
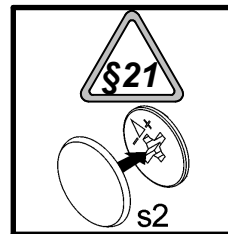
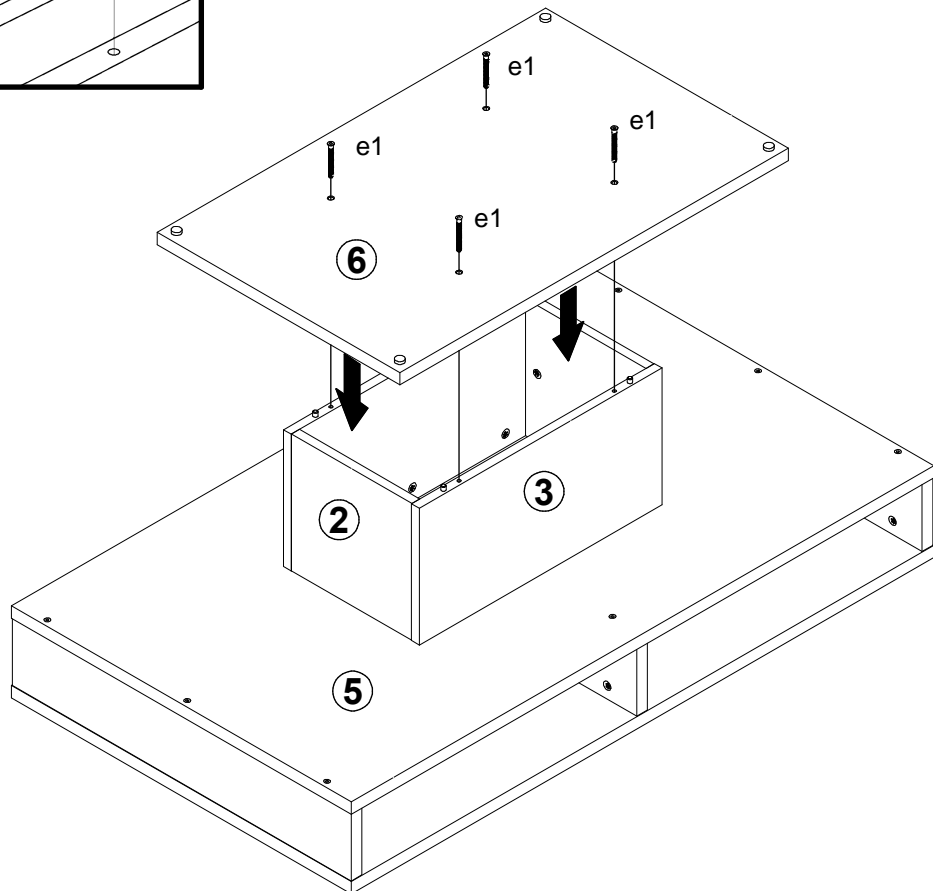


5





6



7

