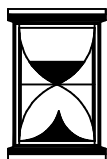
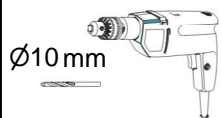
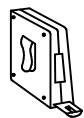
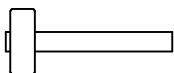
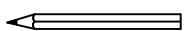
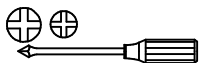
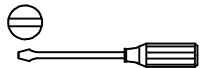
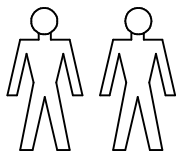
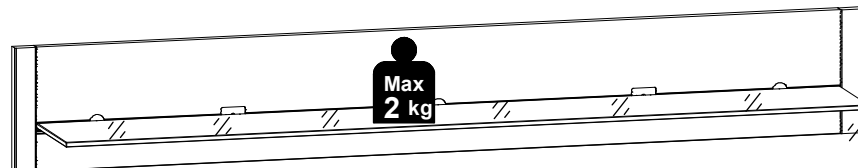


A**S266-P/2/14****10D7--41**

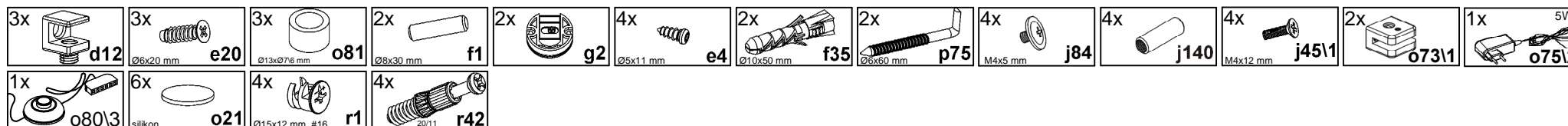
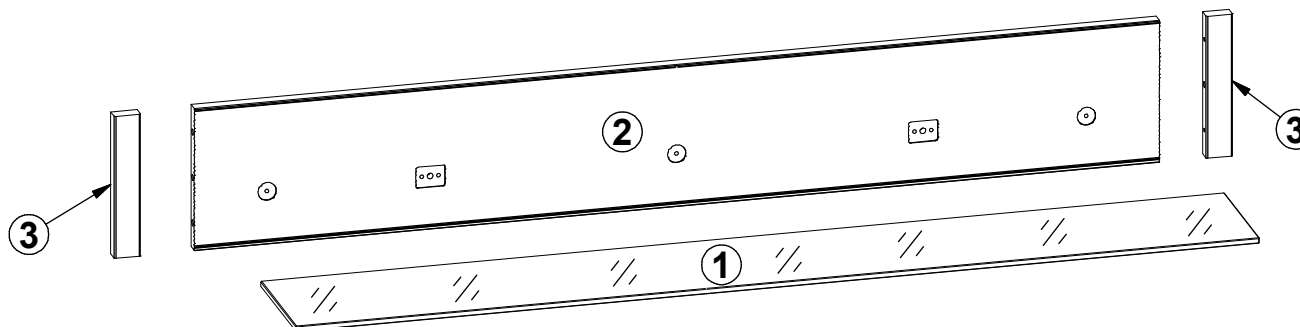
2 / 5

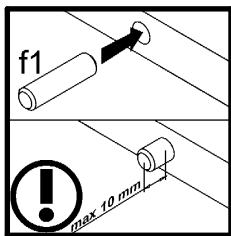
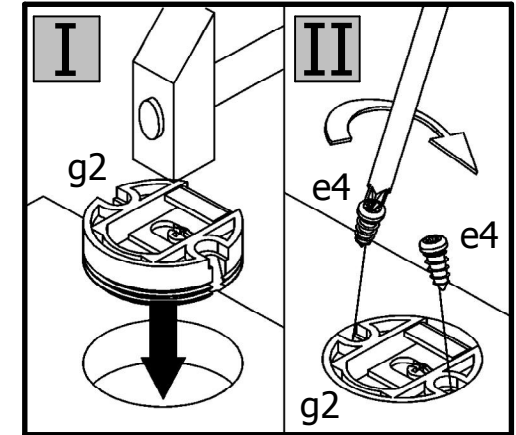
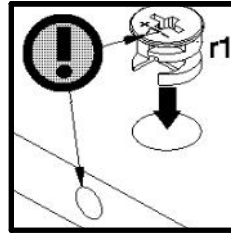
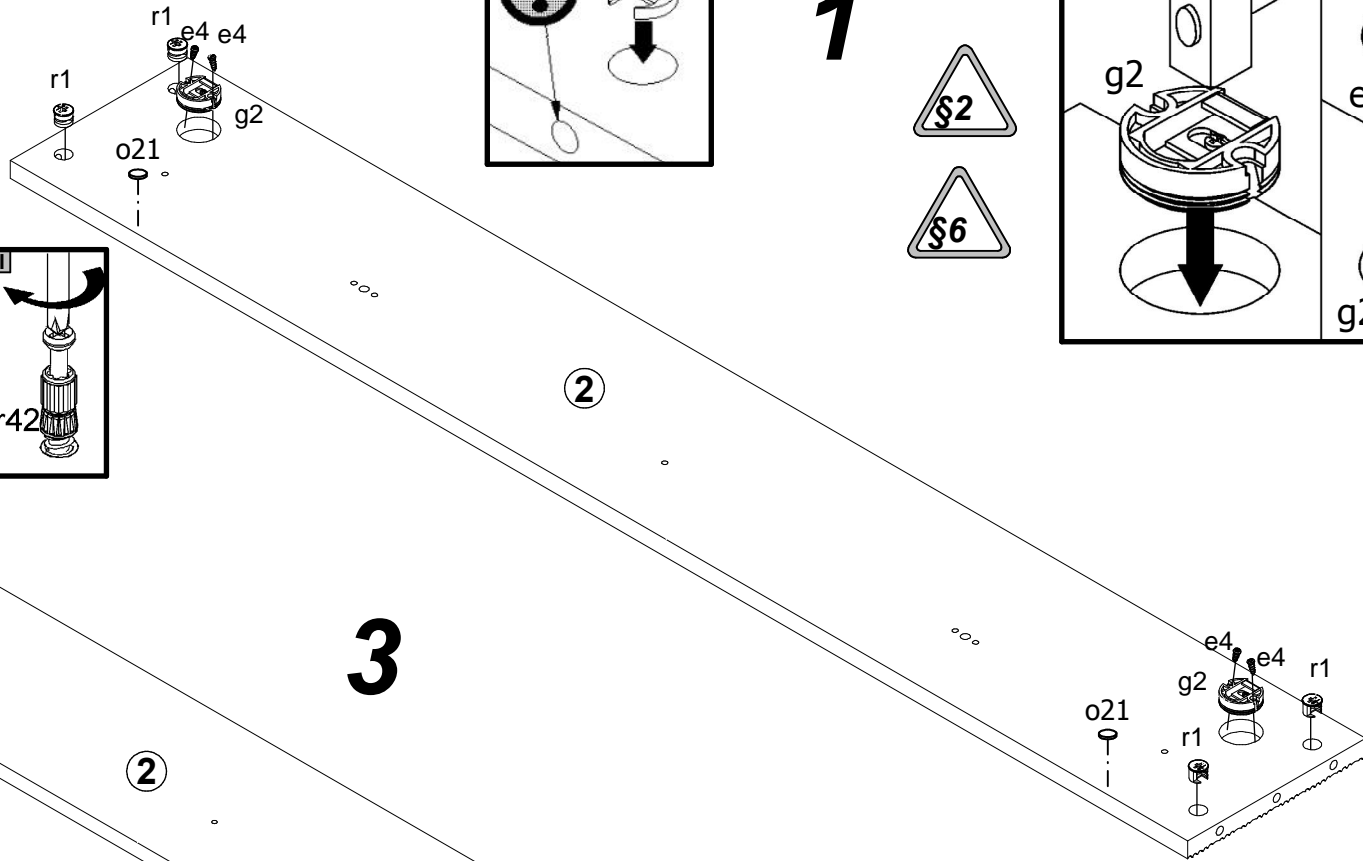
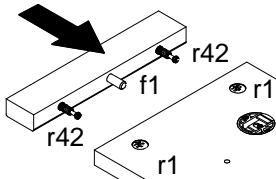
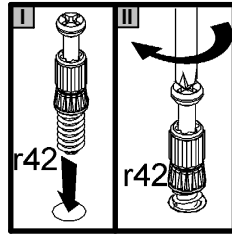
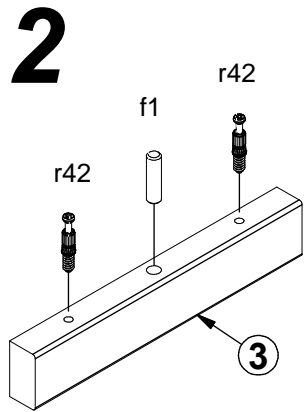


30min

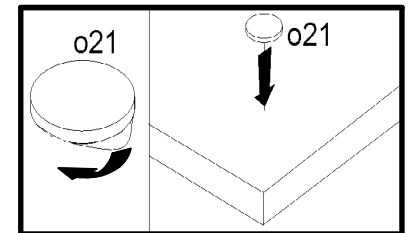


A	B	C1	C2	C3	D
1	S266-3012	1322	180	8	1/1
2	S266-4302A	1324	200	19	1/1
3	S266-5318	200	36,	19,	1/1





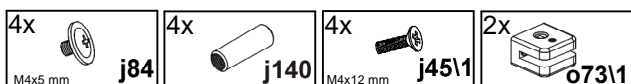
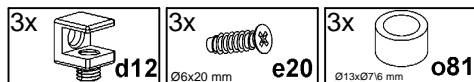
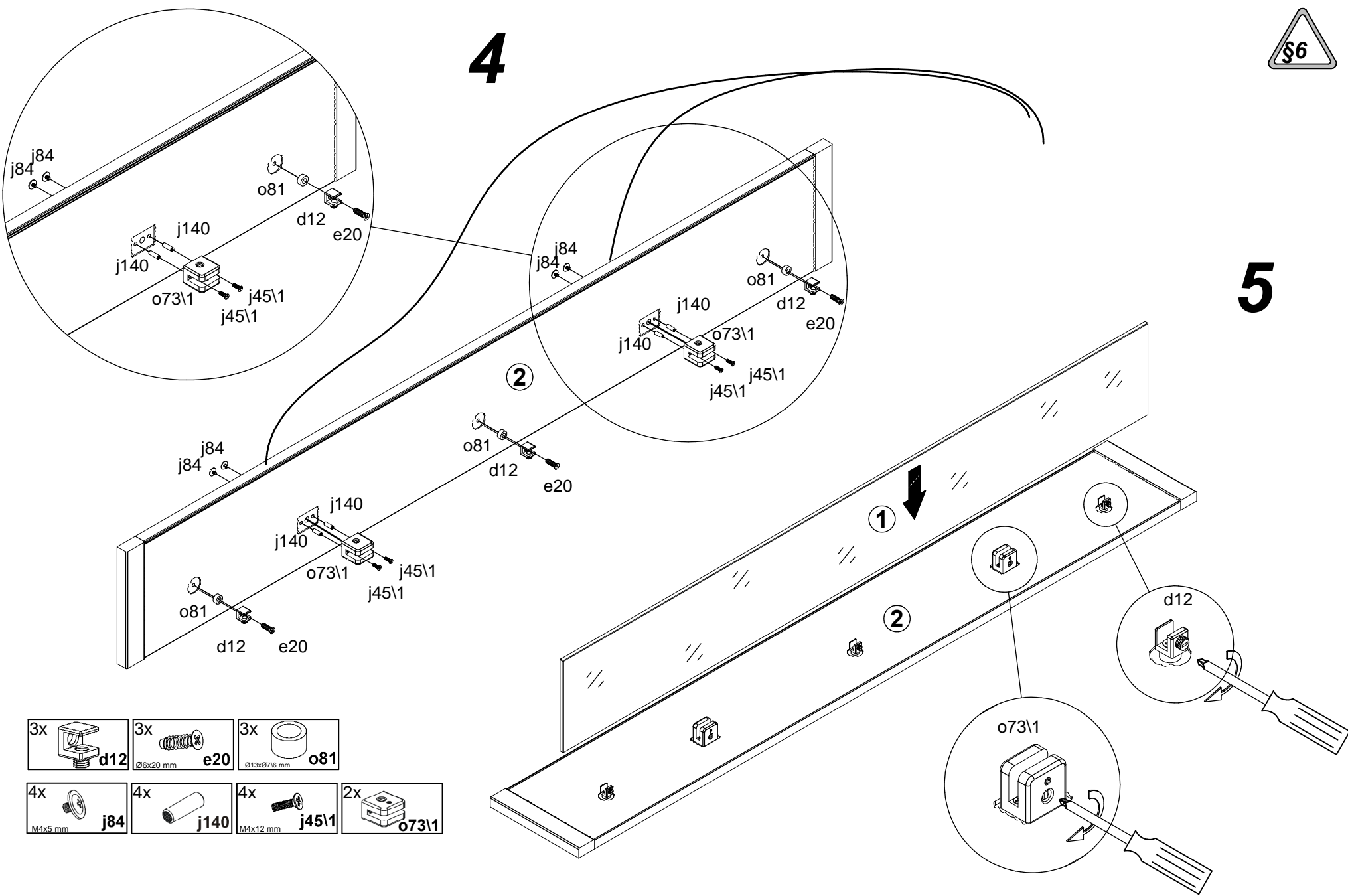
2x Ø8x30 mm f1	2x g2	4x Ø5x11 mm e4
4x Ø15x12 mm #16 r1	4x 20/11 r42	6x silikon o21

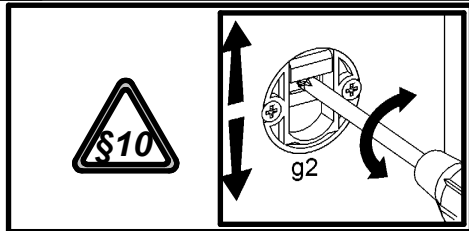




4

5





5

