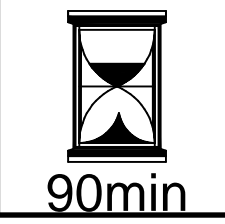
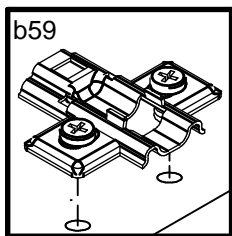
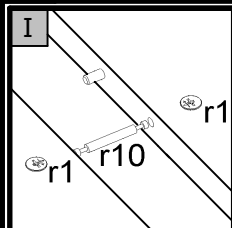


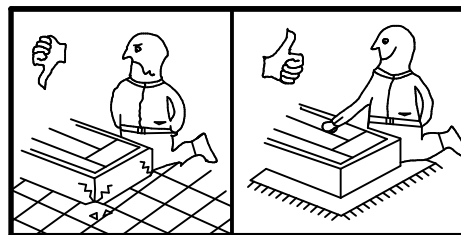
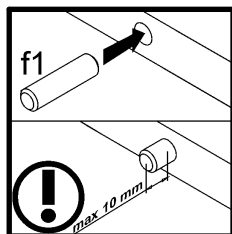
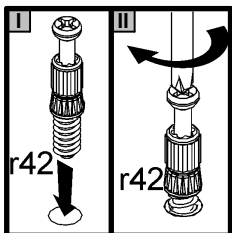
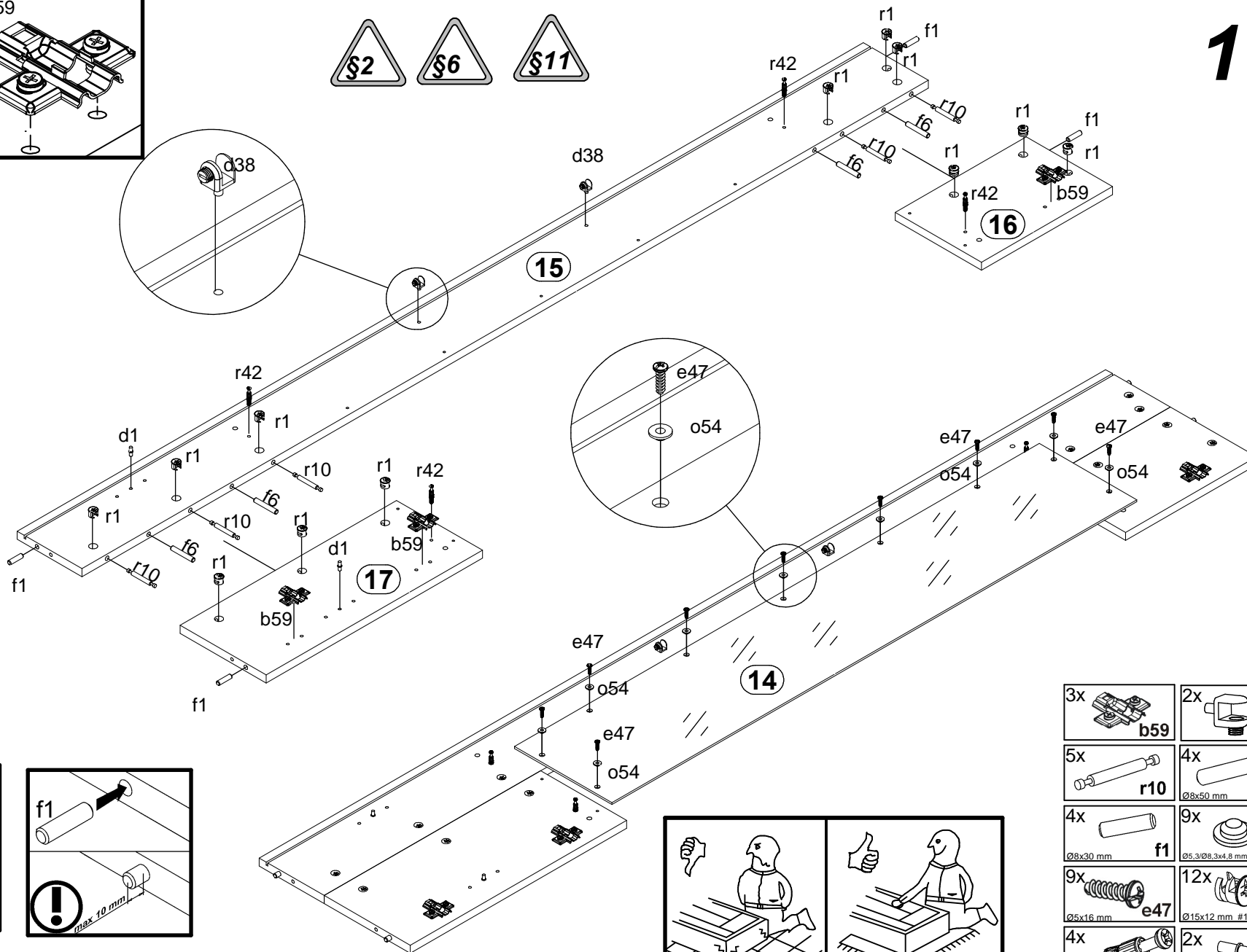
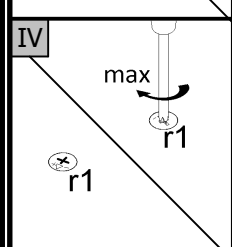
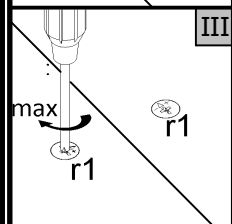
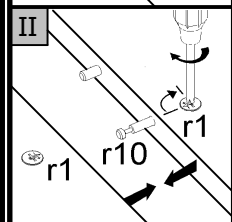
A	B	C (mm)		D
1	S266-0003	625	484,	3/3
2	S266-0004	1322	484,	3/3
3	S266-1005	1956,	349,	2/3
4	S266-1006	1956,	329,	2/3
5	S266-2005	898,	370	1/3
6	S266-2006	898,	370	1/3
7	S266-3004	375	329,	2/3
8	S266-3006	368	305	1/3
9	S266-3008	474	329,	1/3
10	S266-3009	374	319	3/3
11	S266-3010	473	319	3/3
12	S266-5307	1956	36,	2/3
13	S266-5505	1213	350	2/3
14	S266-5506	1213	225	2/3
15	S266-7007	1956,	150	3/3
16	S266-7008	303	199	1/3
17	S266-7009	500	199	1/3
18	S266-7706	497	367	1/3
19	S266-7707	300	367	1/3
20	S266-9005	1966,	487	3/3
21	S266-9006	463	388	2/3
22	S266-9007	266	388	2/3
23	S266-9303	1237	388	2/3



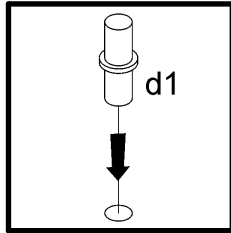
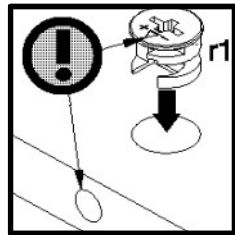
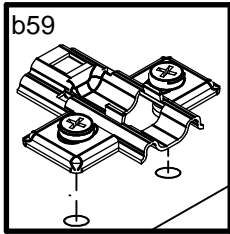
8x K0435 a102	8x b59	3x 64mm c440	16x Ø5x17 mm d1	6x d38	6x Ø7x50 mm e1	17x Ø5x16 mm e47	28x Ø8x30 mm f1	4x Ø8x50 mm f6	2x M4x10 mm j106	4x M4x25 mm j8	4x k55	5x l1
1x k53	18x l2	18x 20x13x3.5 n108	2x Ø6.5/Ø10x5.2 mm o27	17x Ø5.3/Ø8.3x4.8 mm o54	1x 5W o75/2	1x o80/3	2x o85/1	8x Ø4x35 mm p6	1x Ø4x25 mm p36	16x Ø3.5x15 mm p51	18x Ø2.9x16 mm p55	33x Ø15x12 mm #16 r1
5x r10	23x 20/11 r42	28x Ø16 s2	1x z1						1x Ø10x50 mm f35	1x 88x21x15/1.5 n14/2	1x Ø5x60 mm p17	2x Ø3.5x16 mm p38



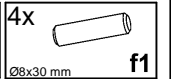
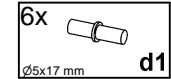
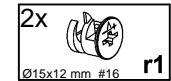
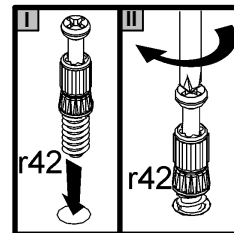
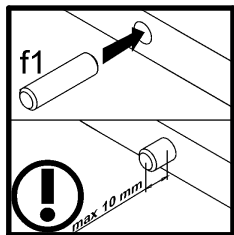
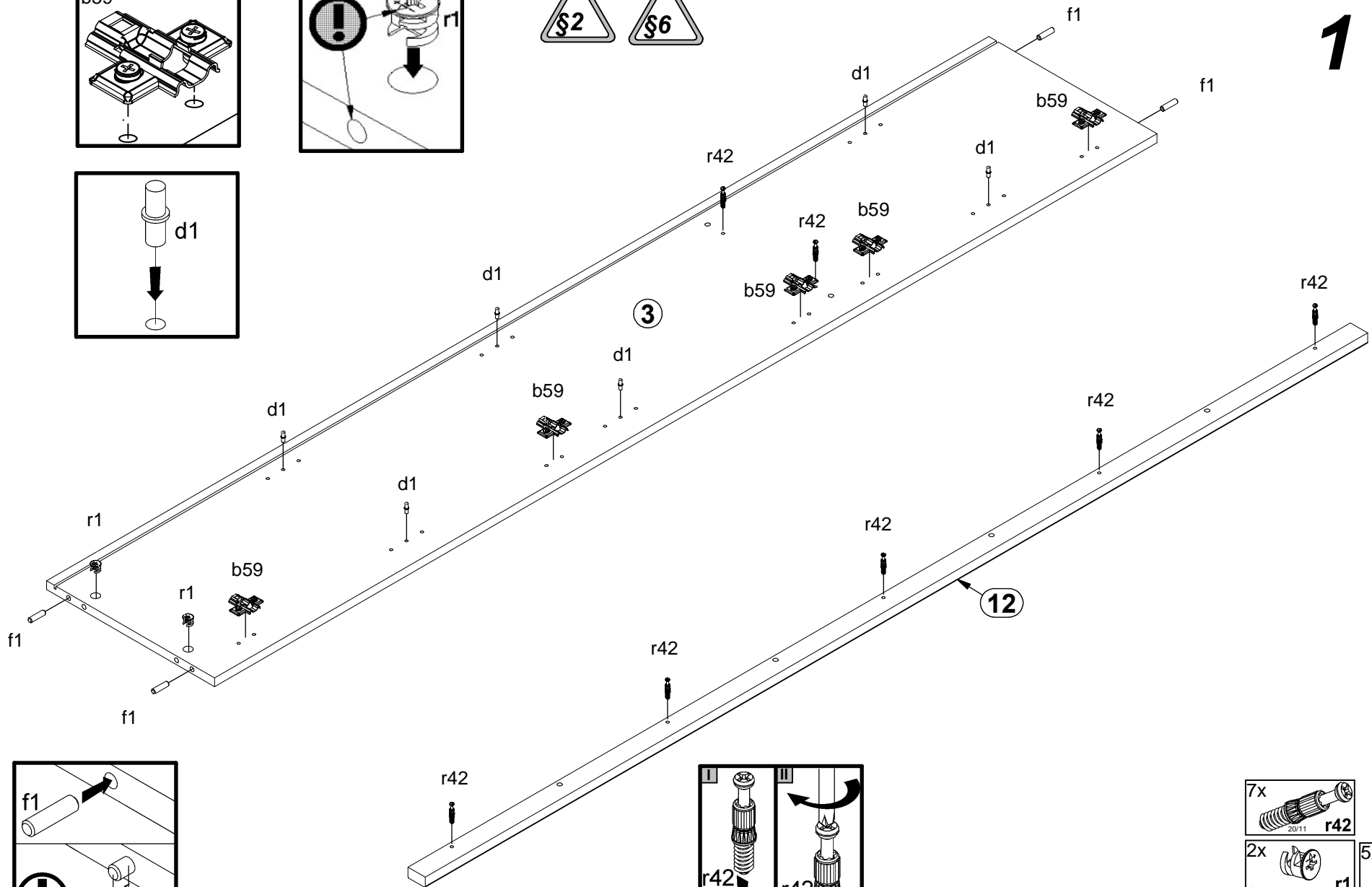
1



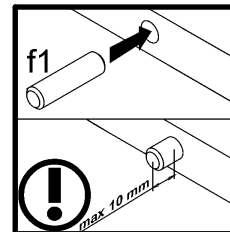
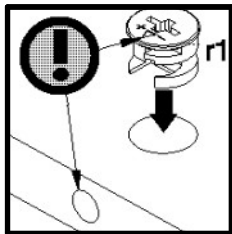
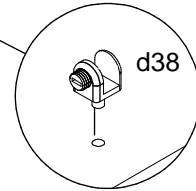
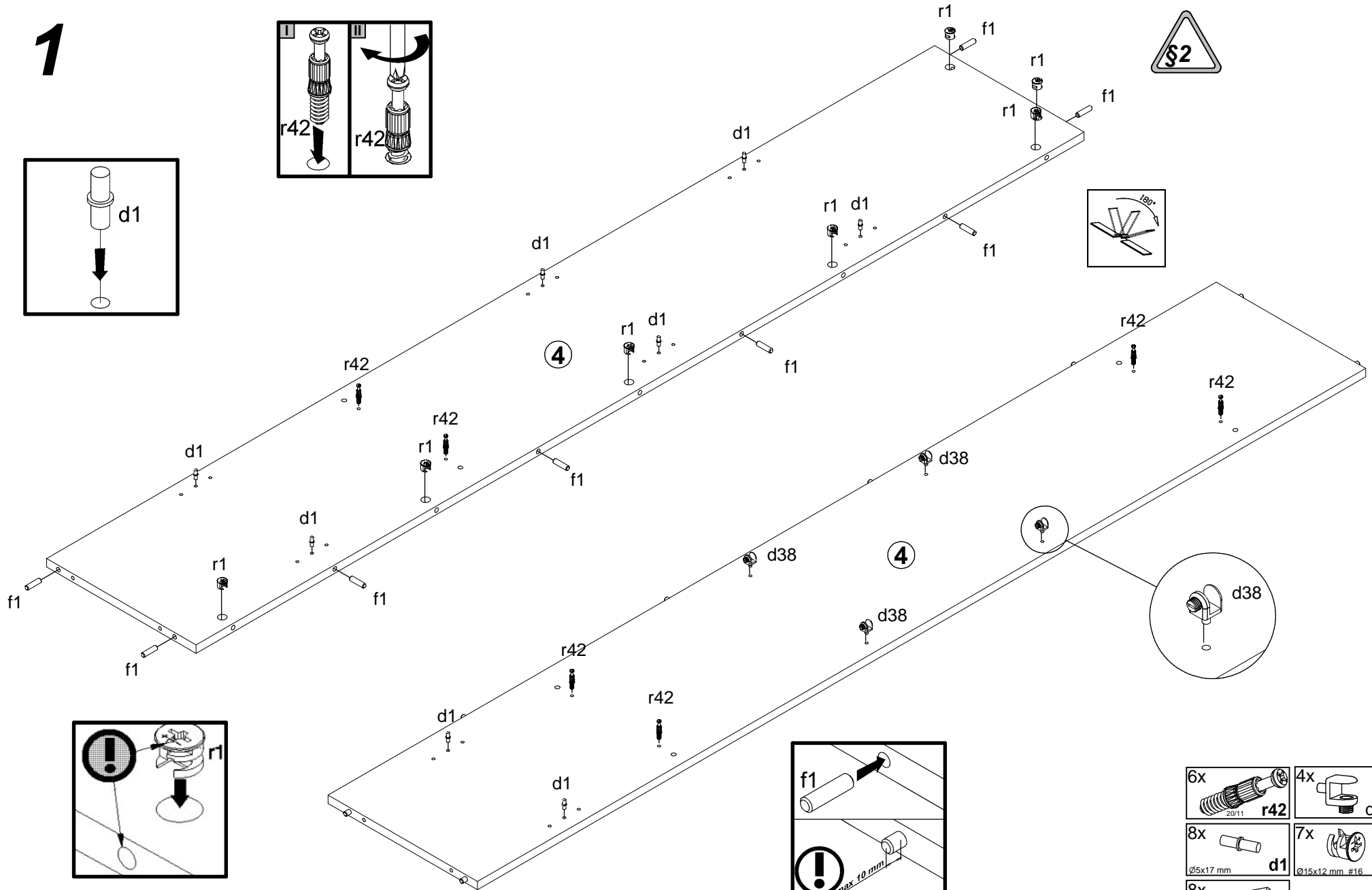
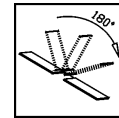
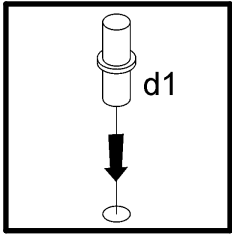
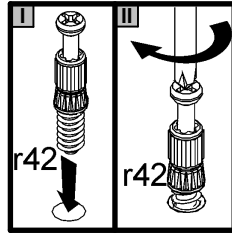
3x b59	2x d38
5x r10	4x f6
4x f1	9x o54
9x e47	12x r1
4x r42	2x d1



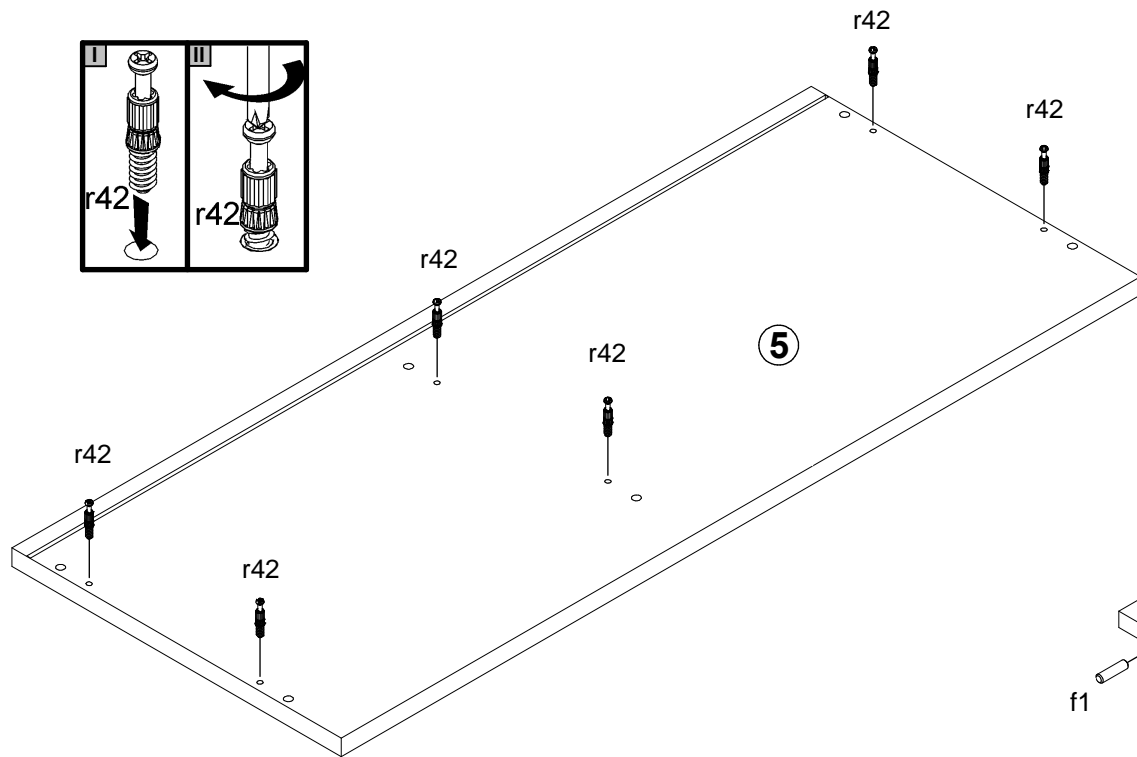
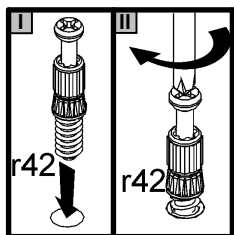
1



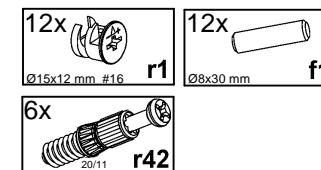
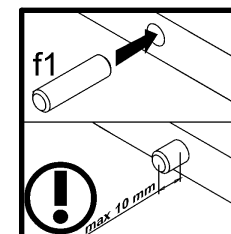
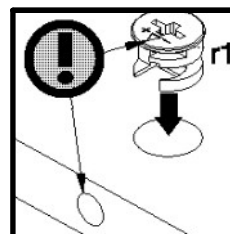
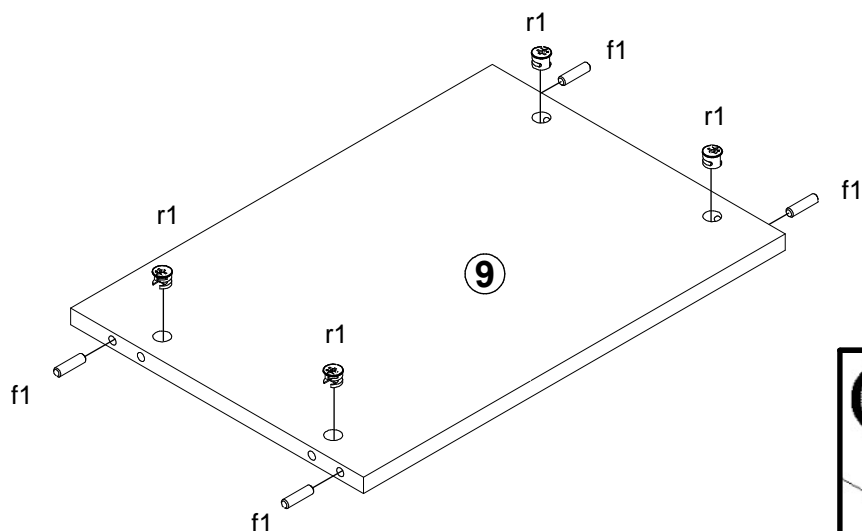
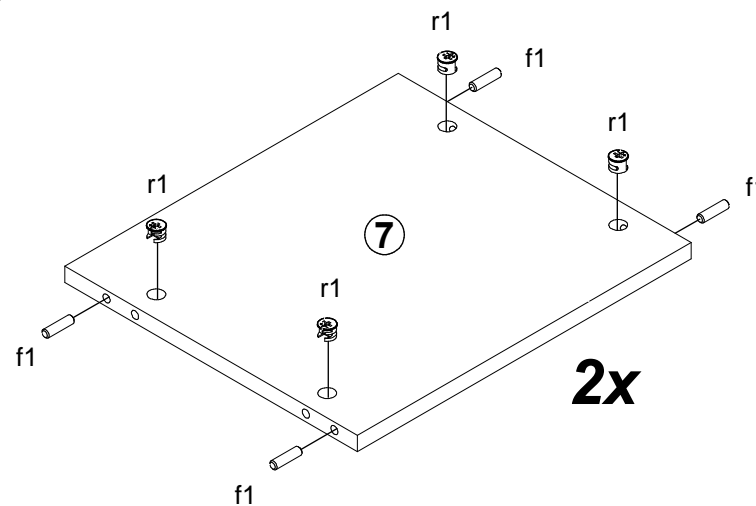
1



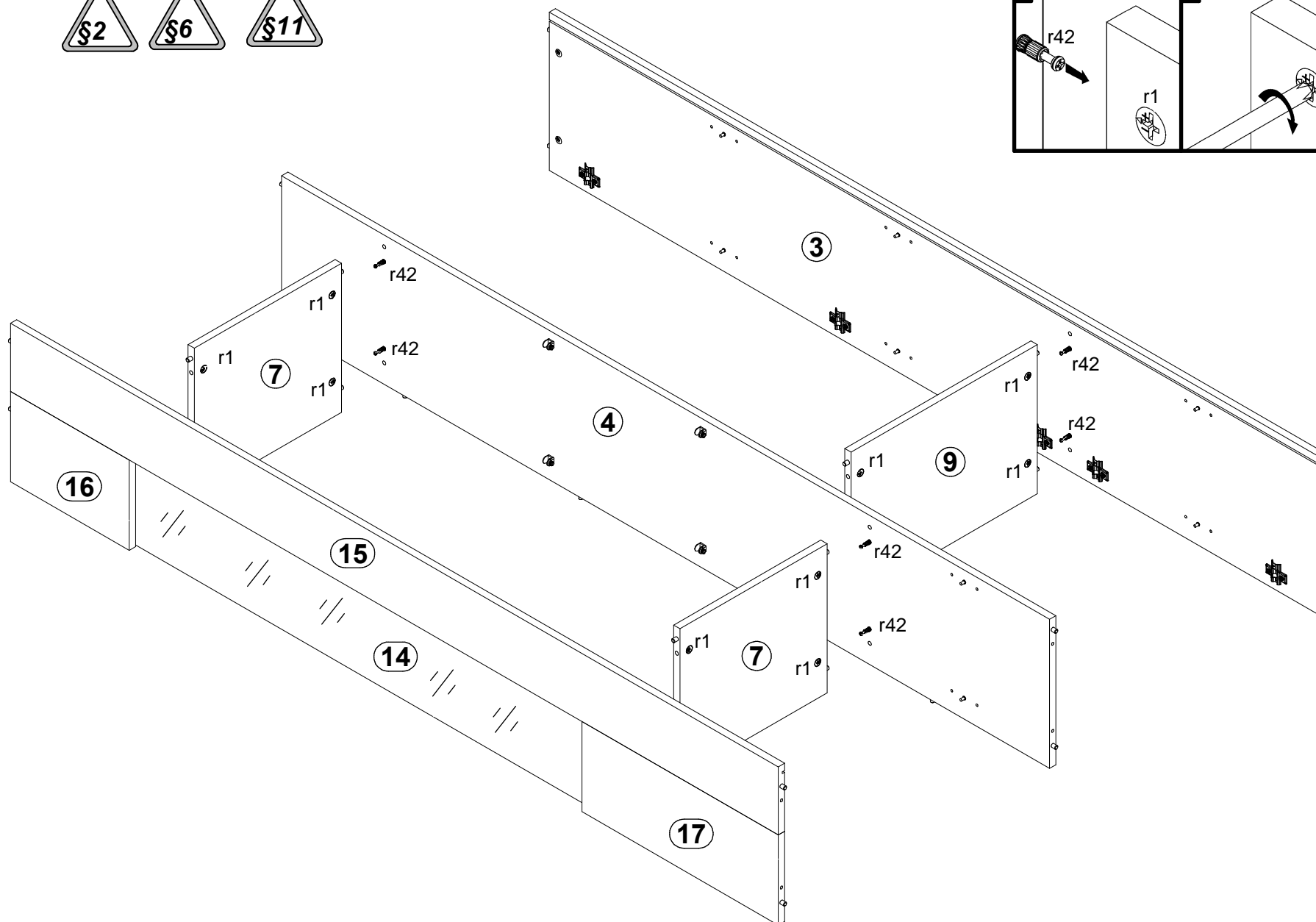
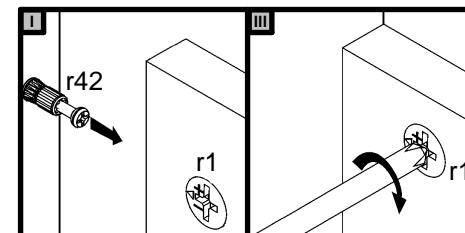
6x r42	4x d38
8x Ø5x17 mm d1	7x Ø15x12 mm #16 r1
8x Ø8x30 mm f1	

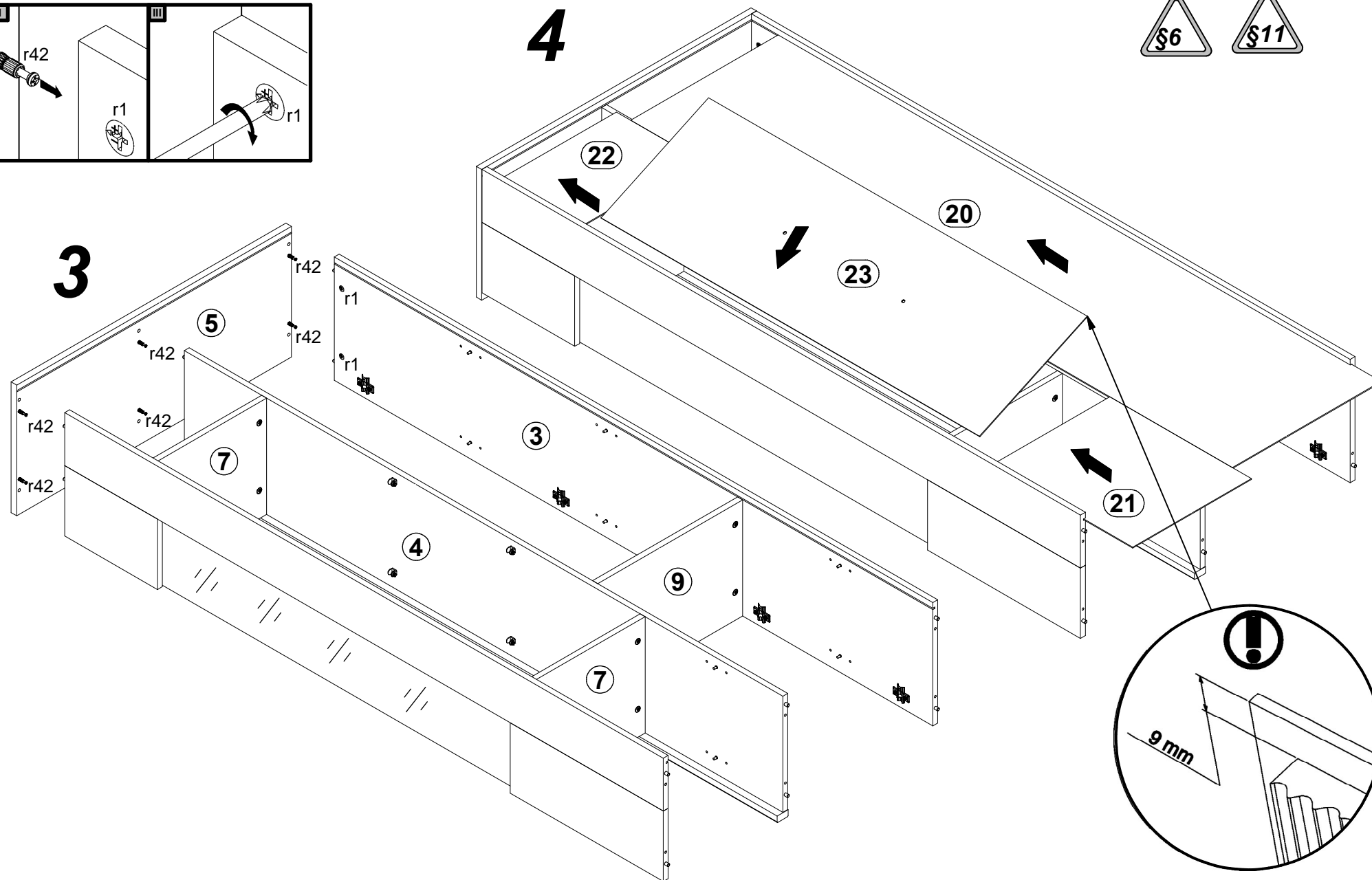
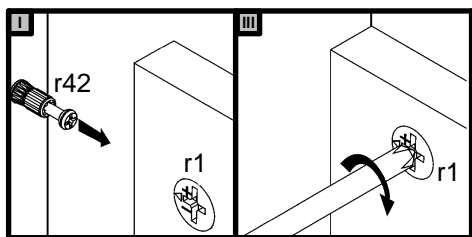


1

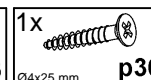
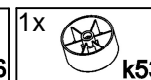
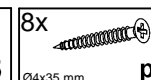
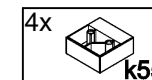
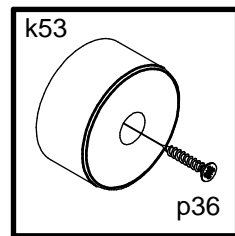
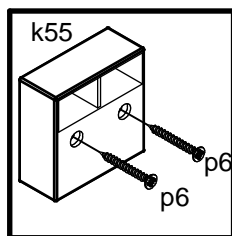
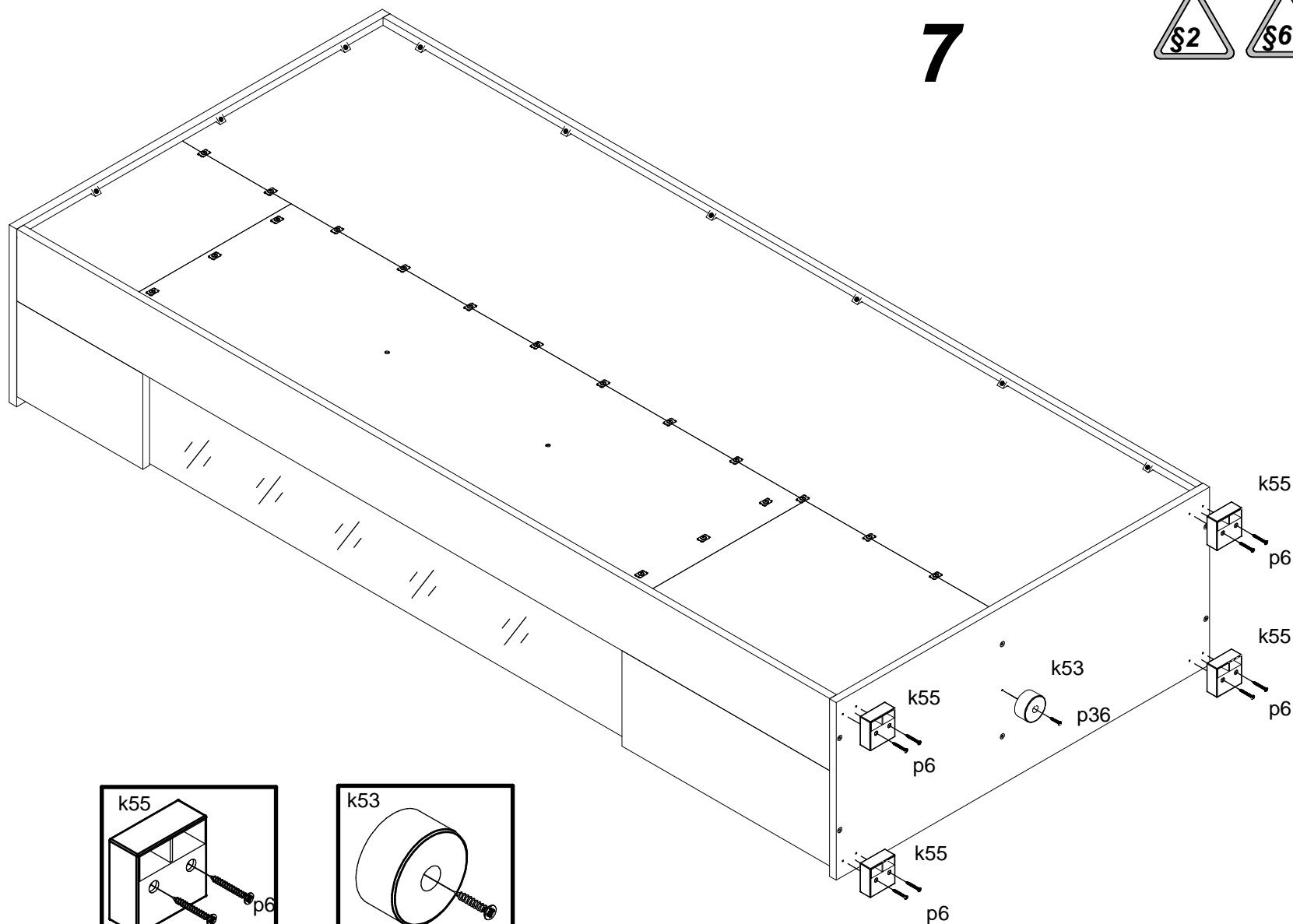


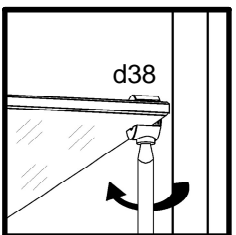
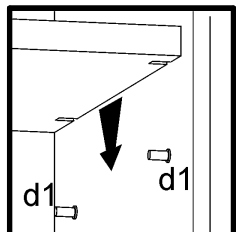
2





7

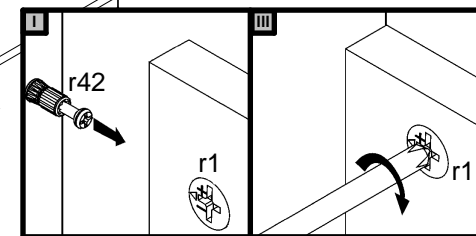
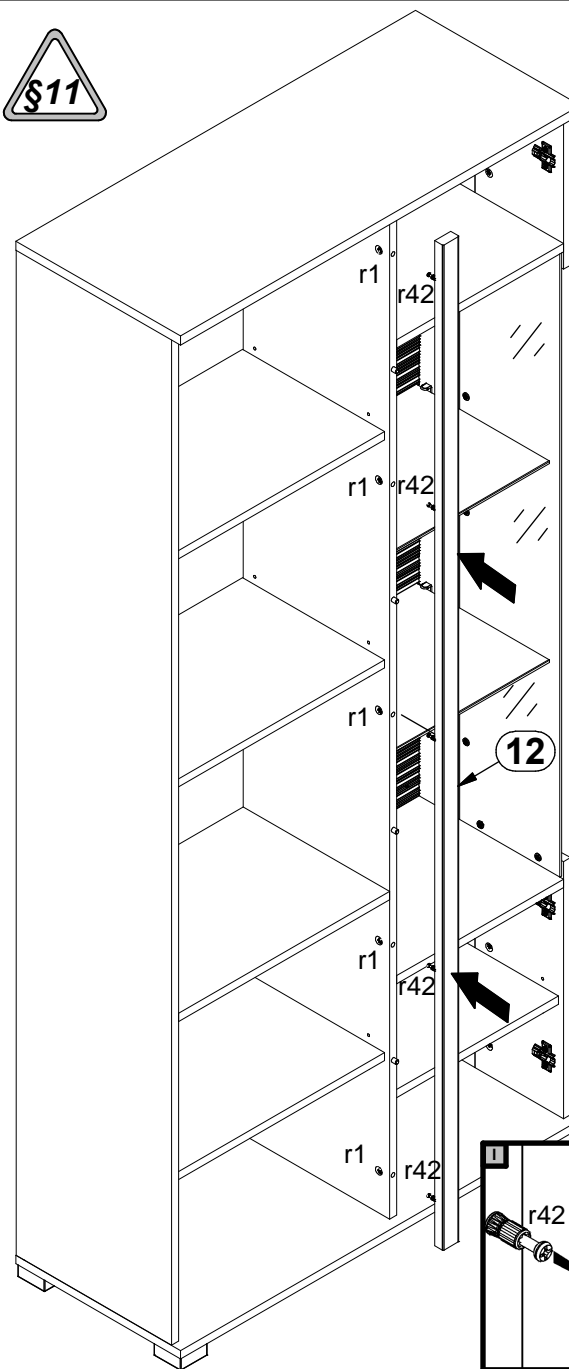
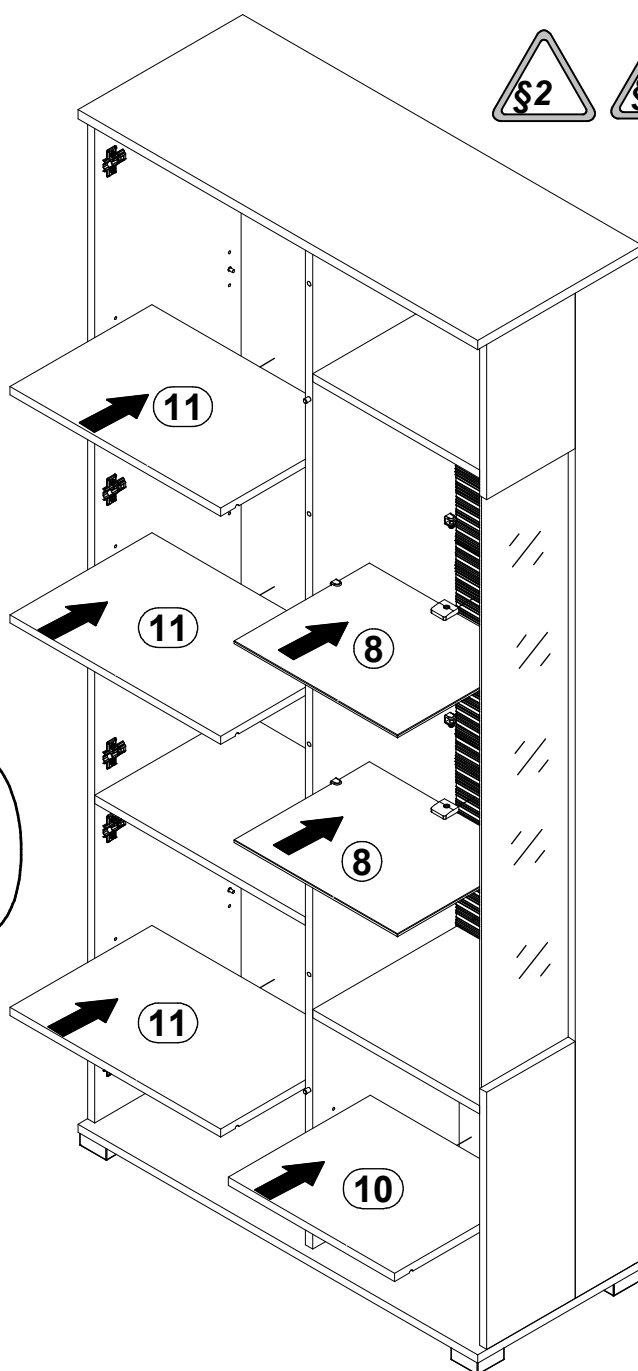
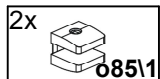
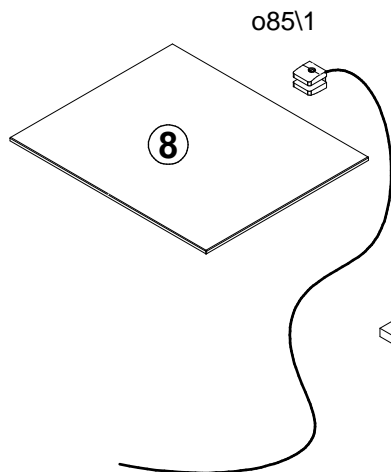




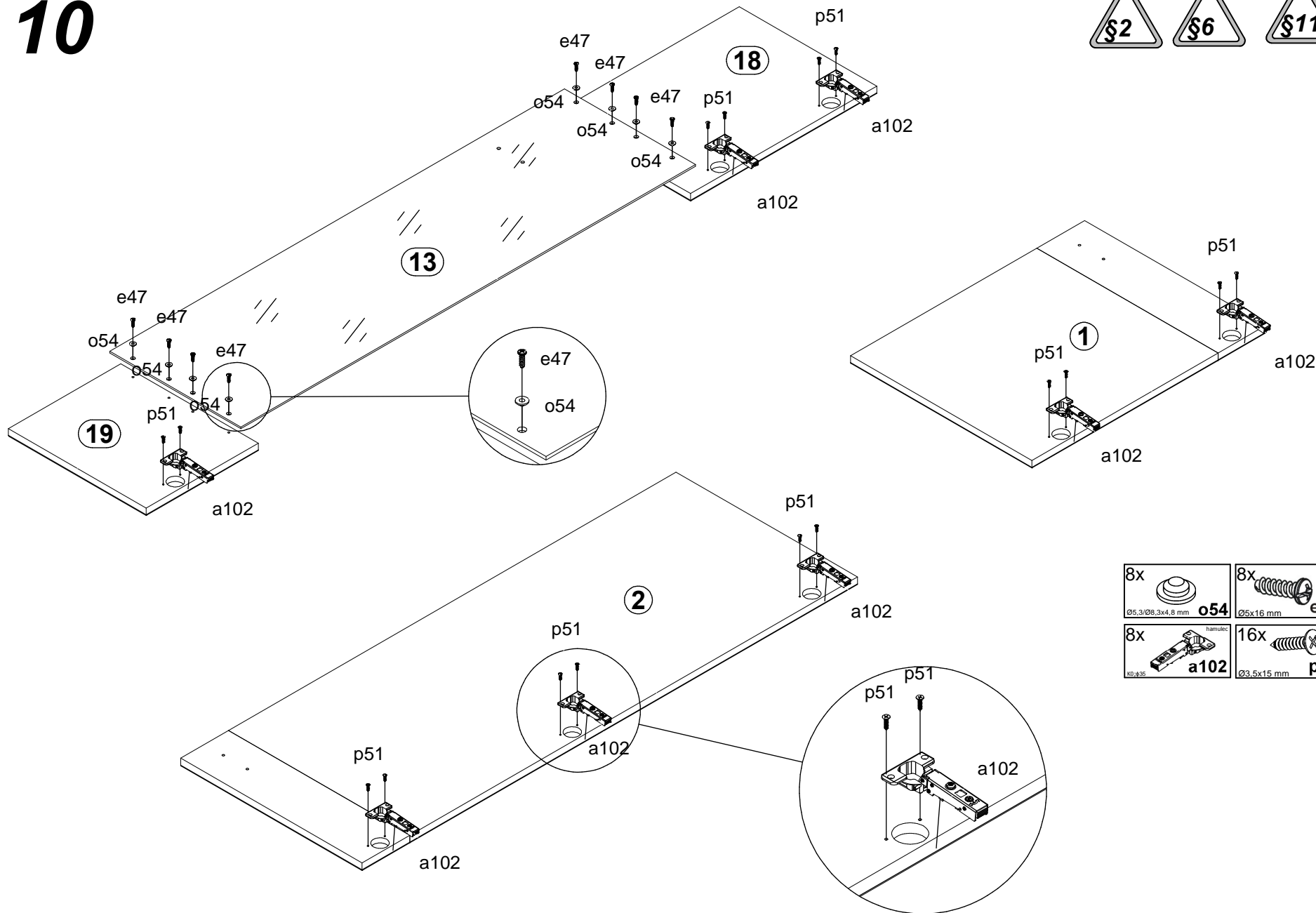
8



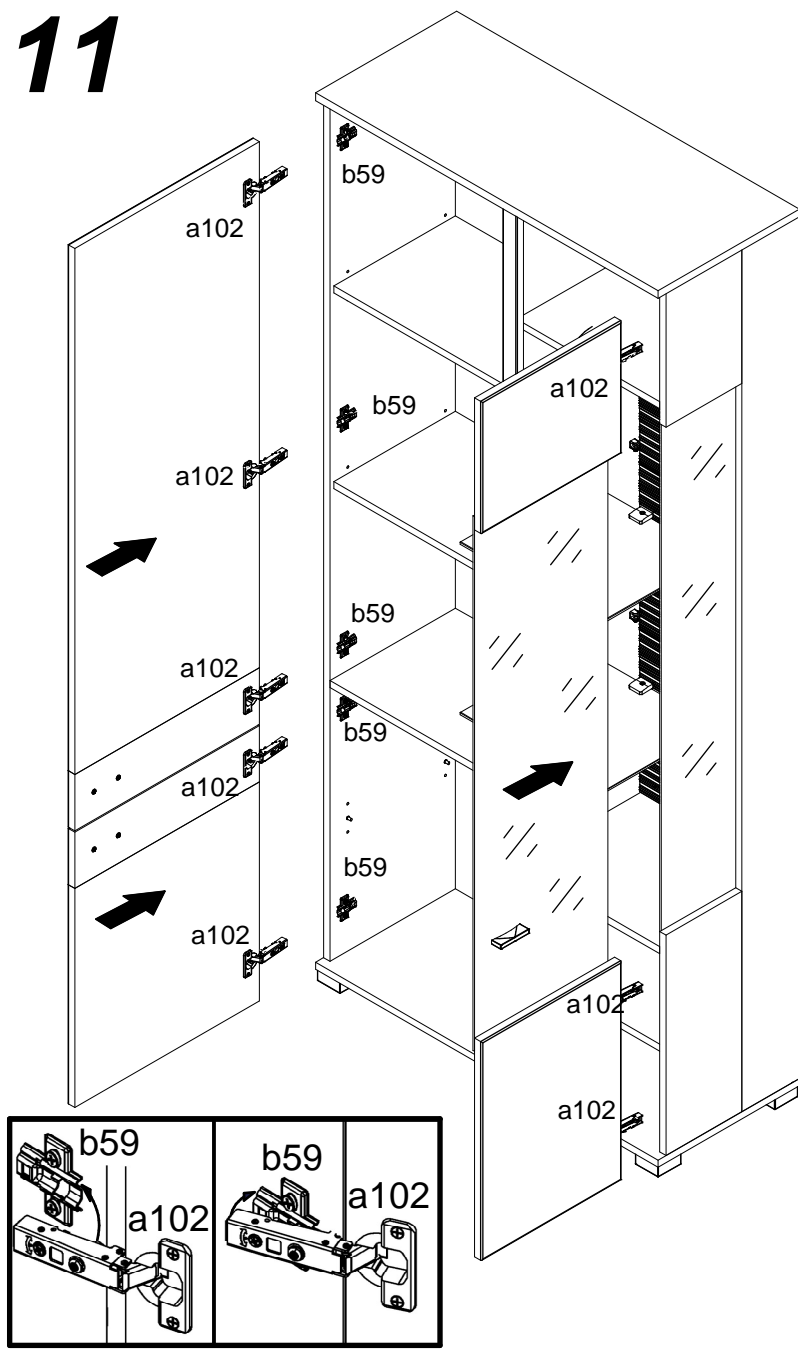
9



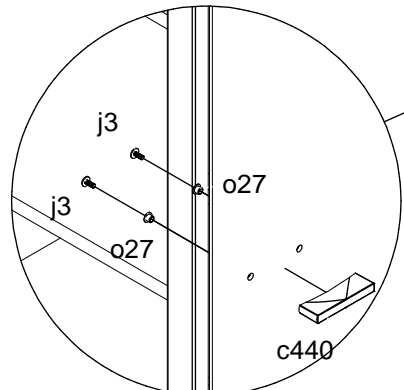
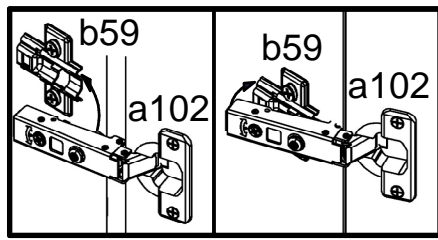
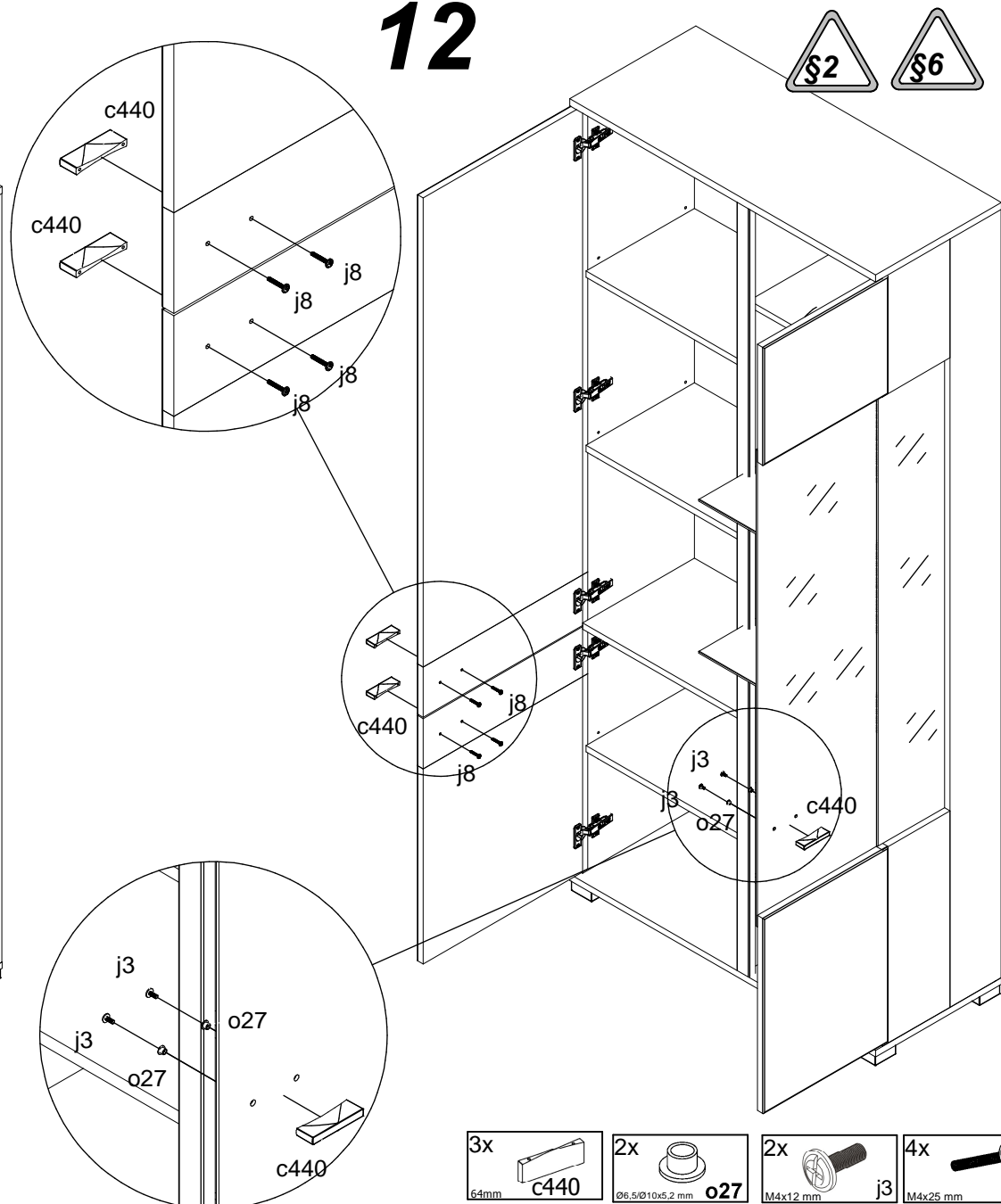
10







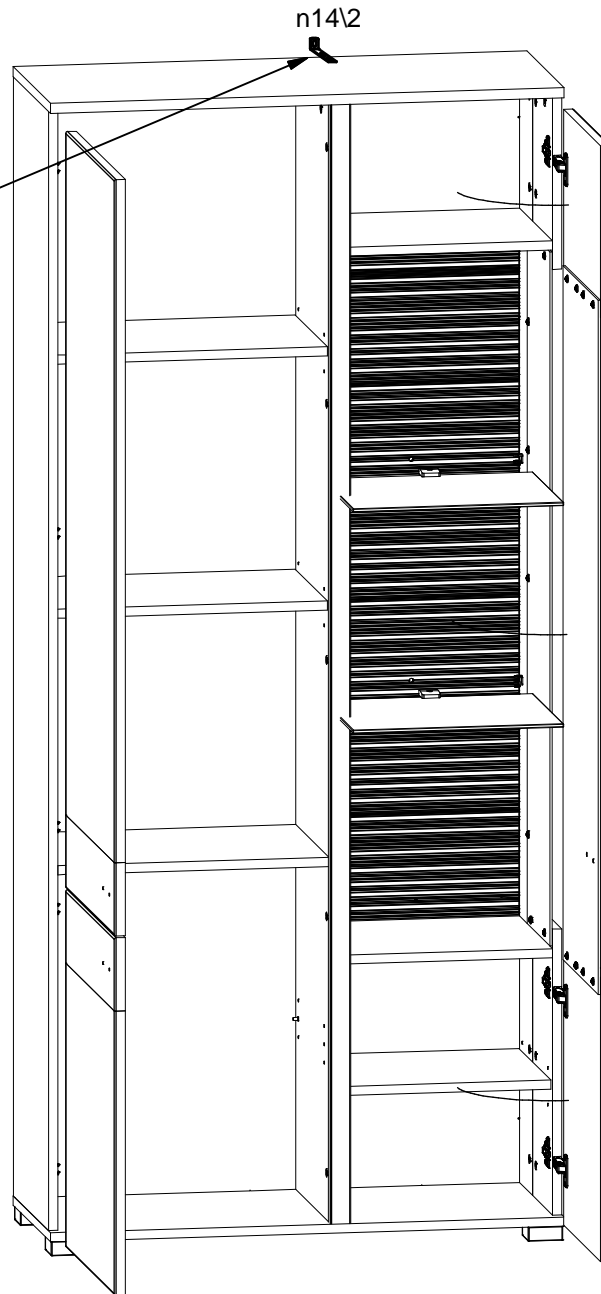
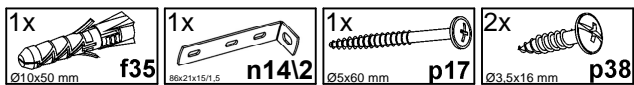
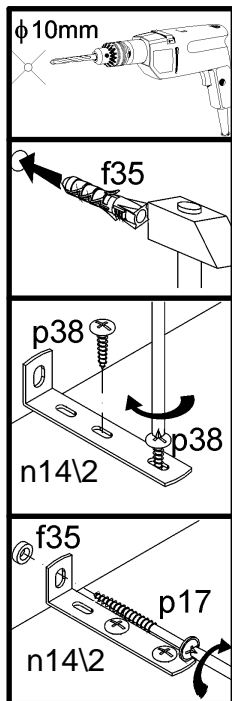
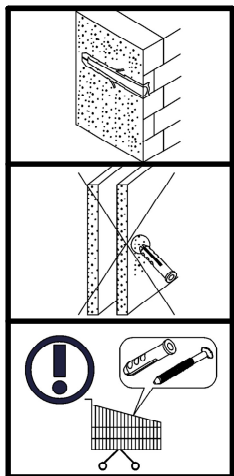
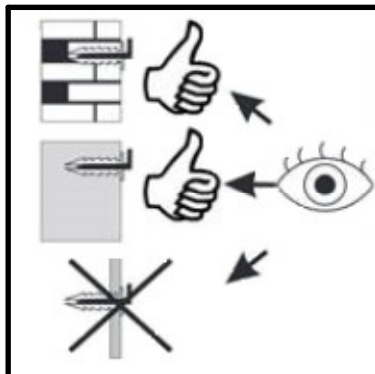
11



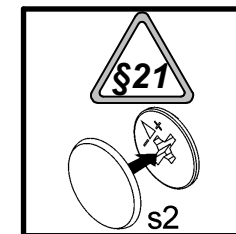
12



- 3x  c440
64mm
- 2x  o27
Ø6,5/Ø10x5,2 mm
- 2x  j3
M4x12 mm
- 4x  j8
M4x25 mm



13



14

