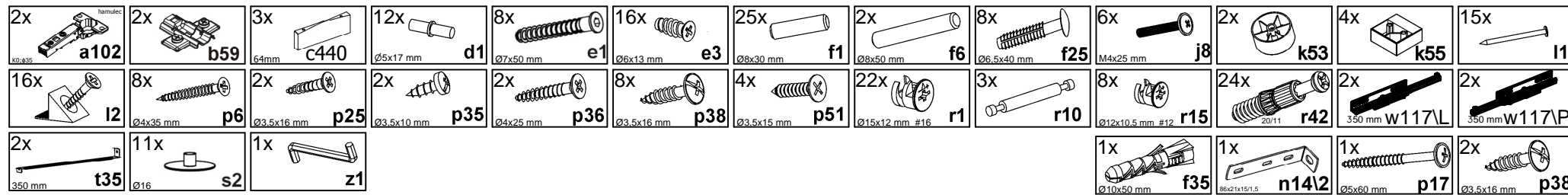
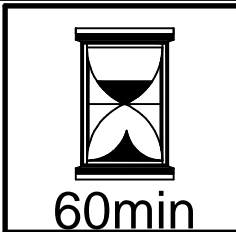
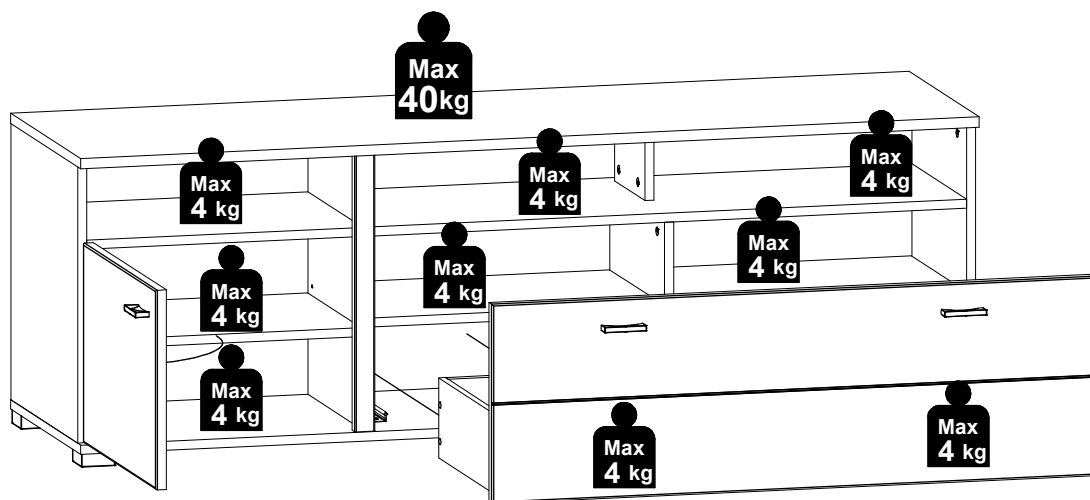
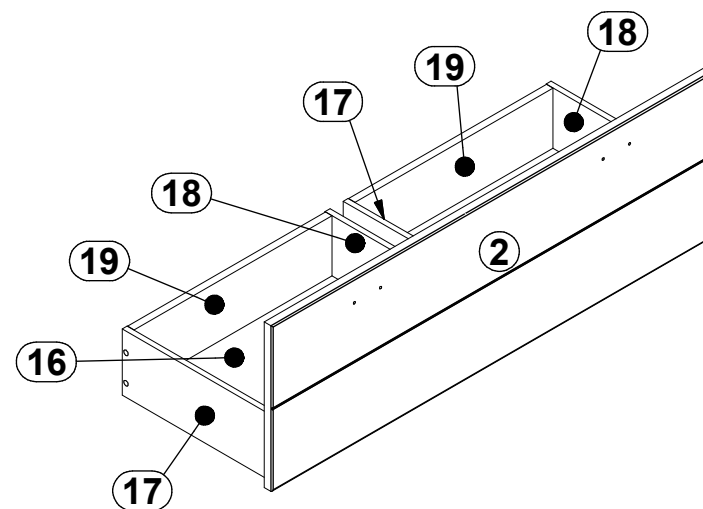
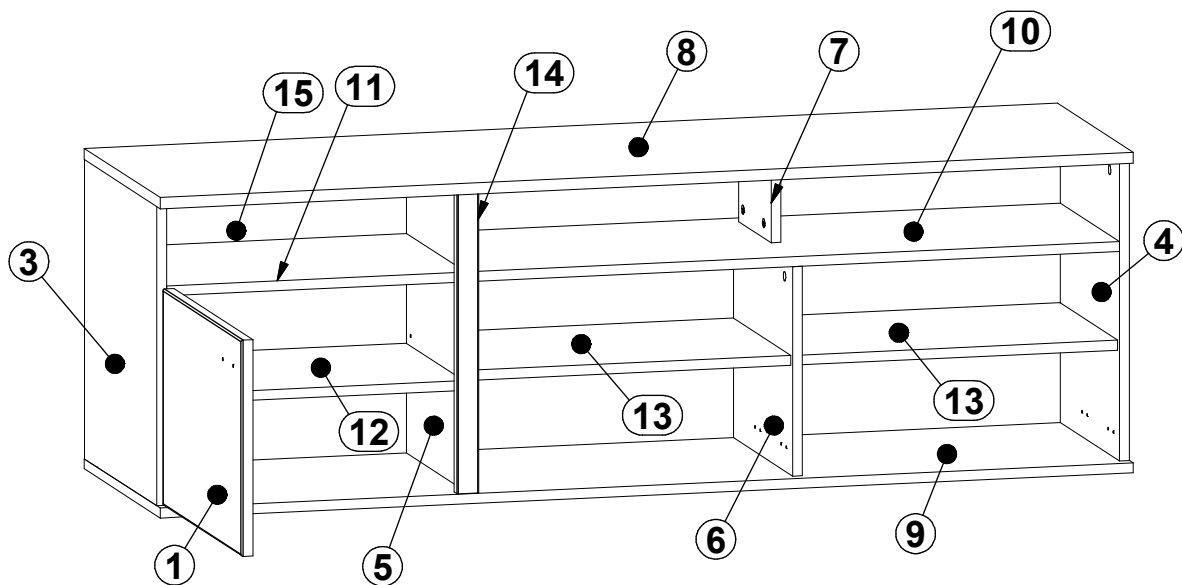
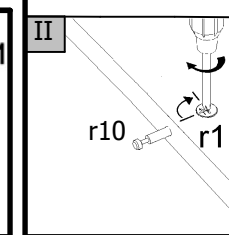
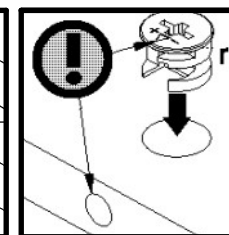
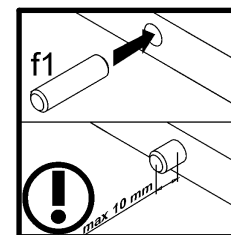
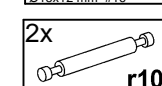
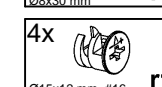
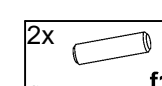
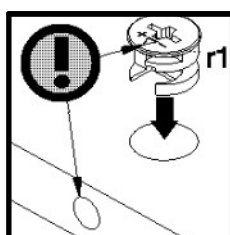
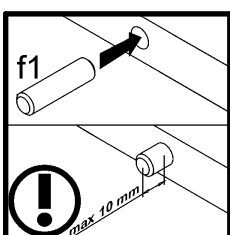
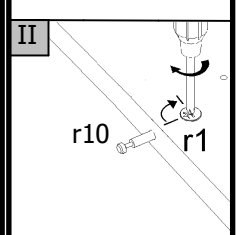
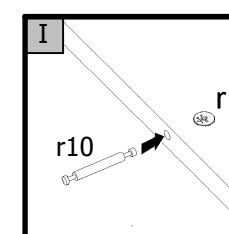
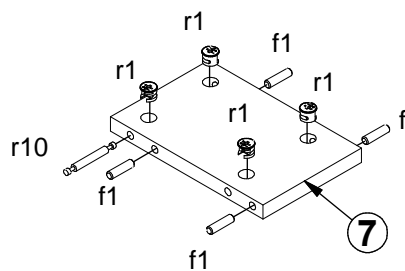
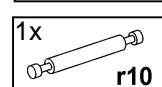
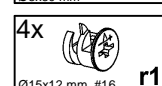
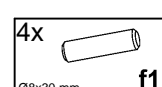
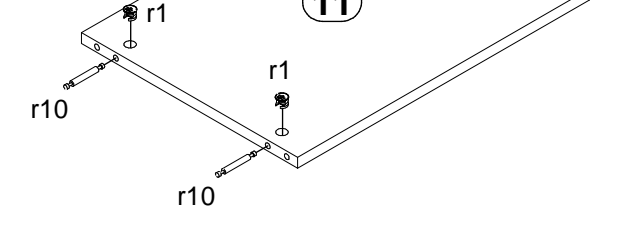
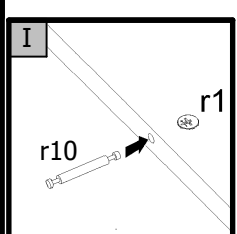
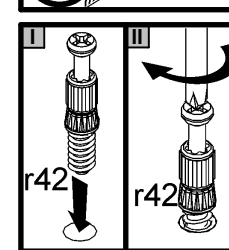
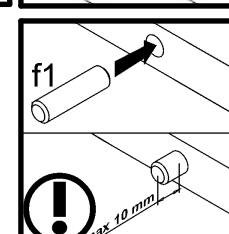
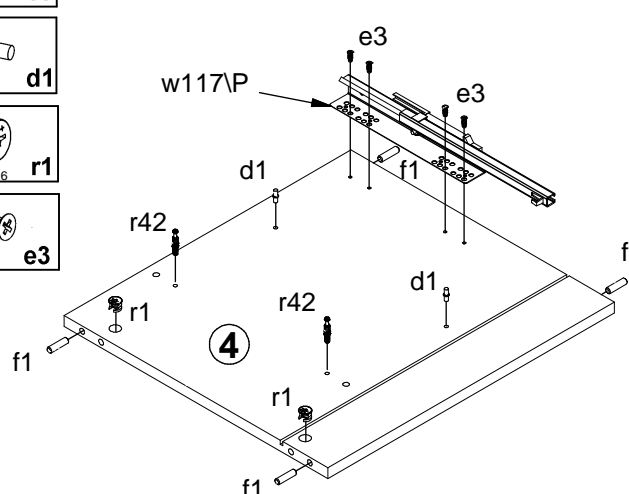
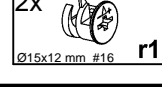
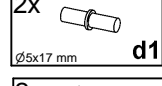
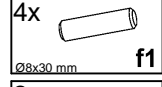
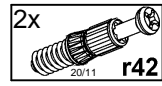
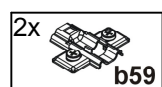
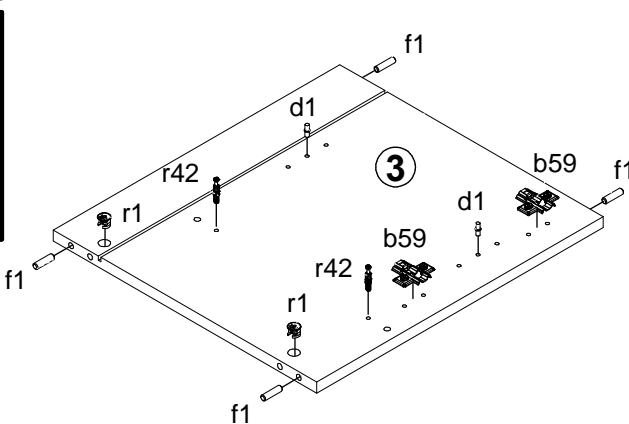
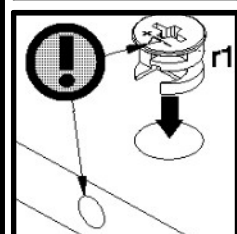
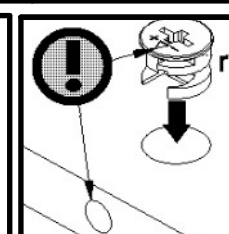
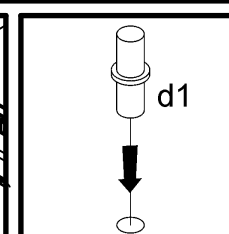
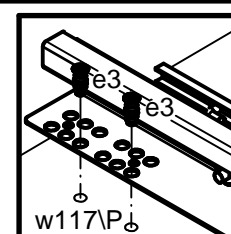
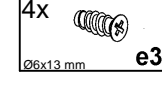
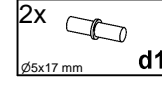
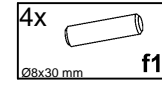
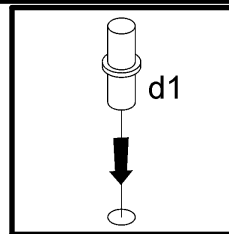
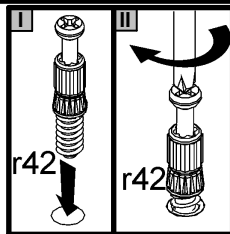
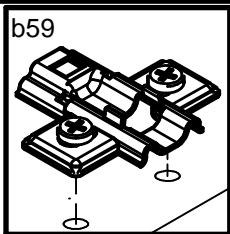
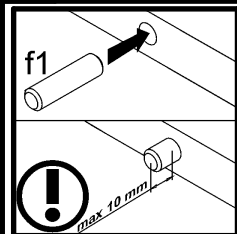


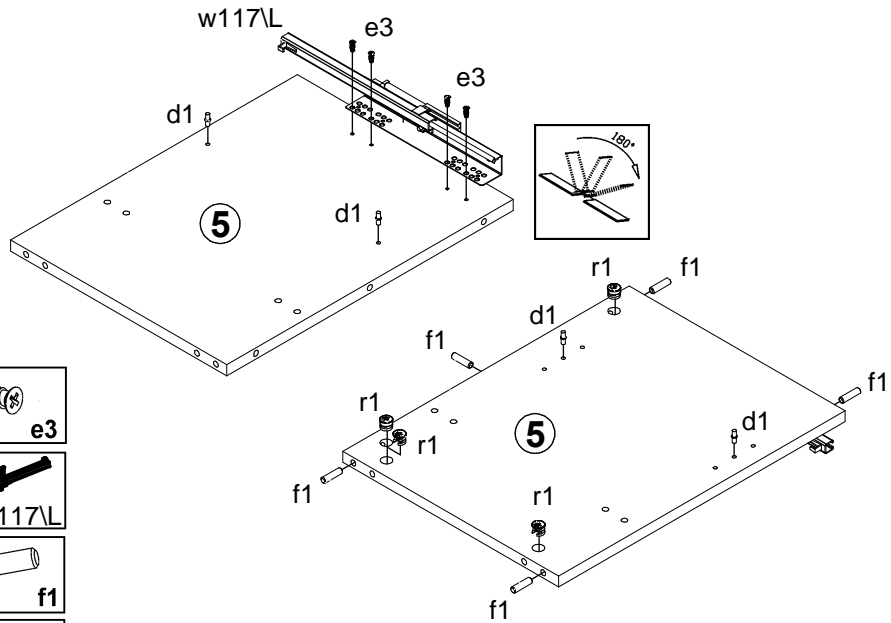
A	B	C (mm)		D
1	S266-0031	349,	484,	1/2
2	S266-0032	349,	1070	1/2
3	S266-1031	483	444,	2/2
4	S266-1032	483	444,	2/2
5	S266-1033	483	364,	1/2
6	S266-1034	338,	364,	1/2
7	S266-1035	129	200	2/2
8	S266-2031	1601,	466	2/2
9	S266-2032	1601,	466	2/2
10	S266-3031	1060	364,	1/2
11	S266-3032	492	364,	1/2
12	S266-3033	491	354,	2/2
13	S266-3034	521	354,	1/2
14	S266-5331	483	36,	1/2
15	S266-9031	493,	1578,	2/2
16	WSP-945	492	358	1/2
17	WSQ4-505	350	140	1/2
18	WSQ4-506	350	140	1/2
19	WTQ-5050	482	127	1/2



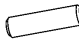
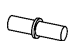



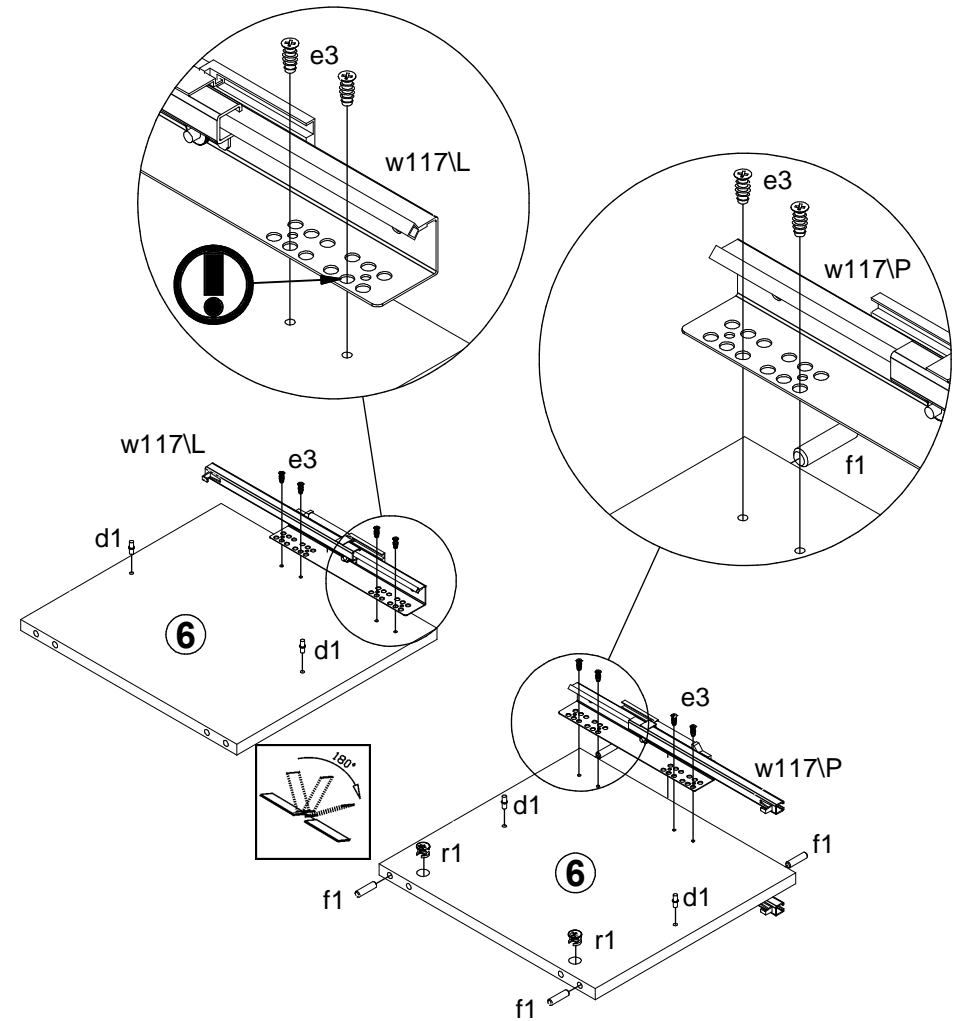
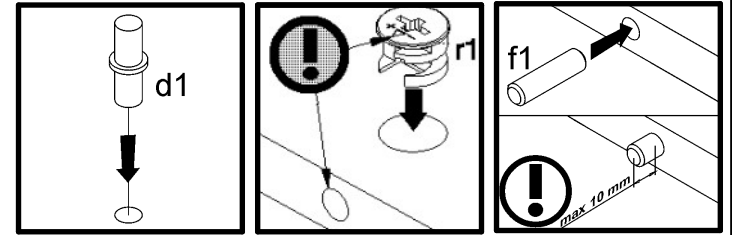
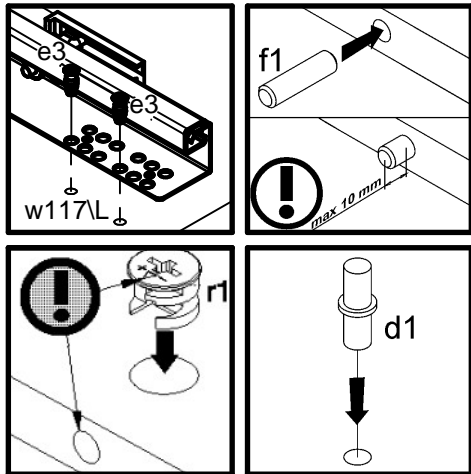


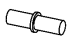




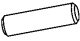


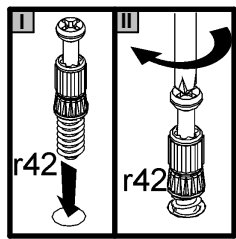
1



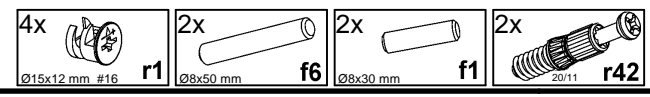
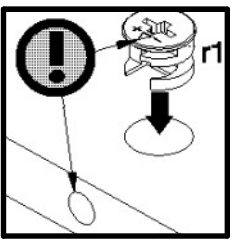
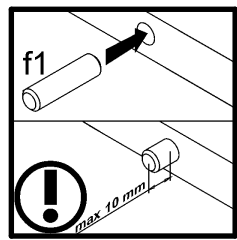
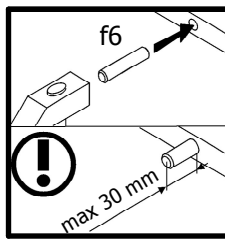
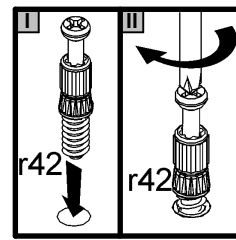
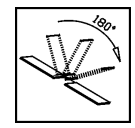
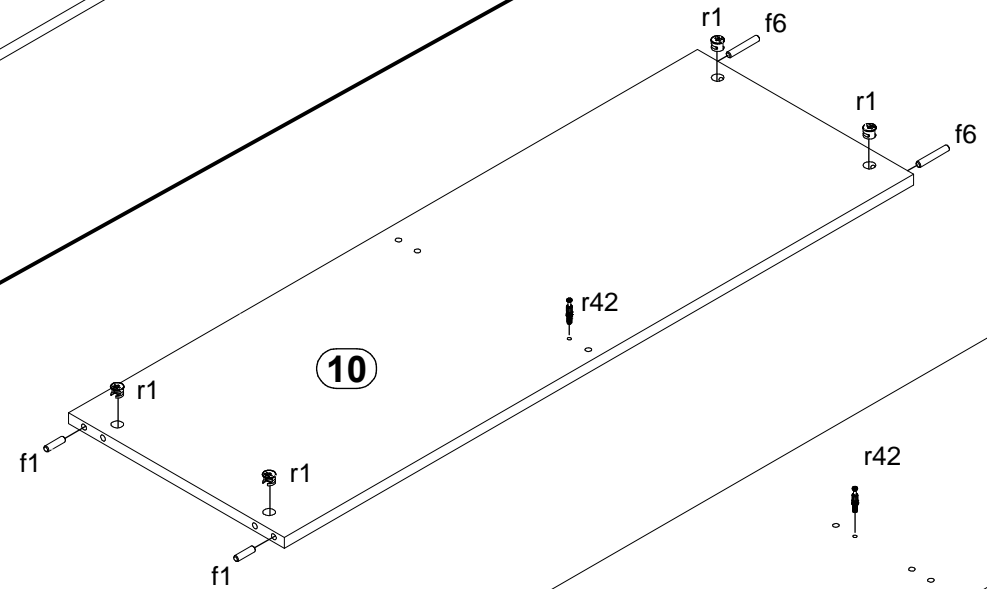
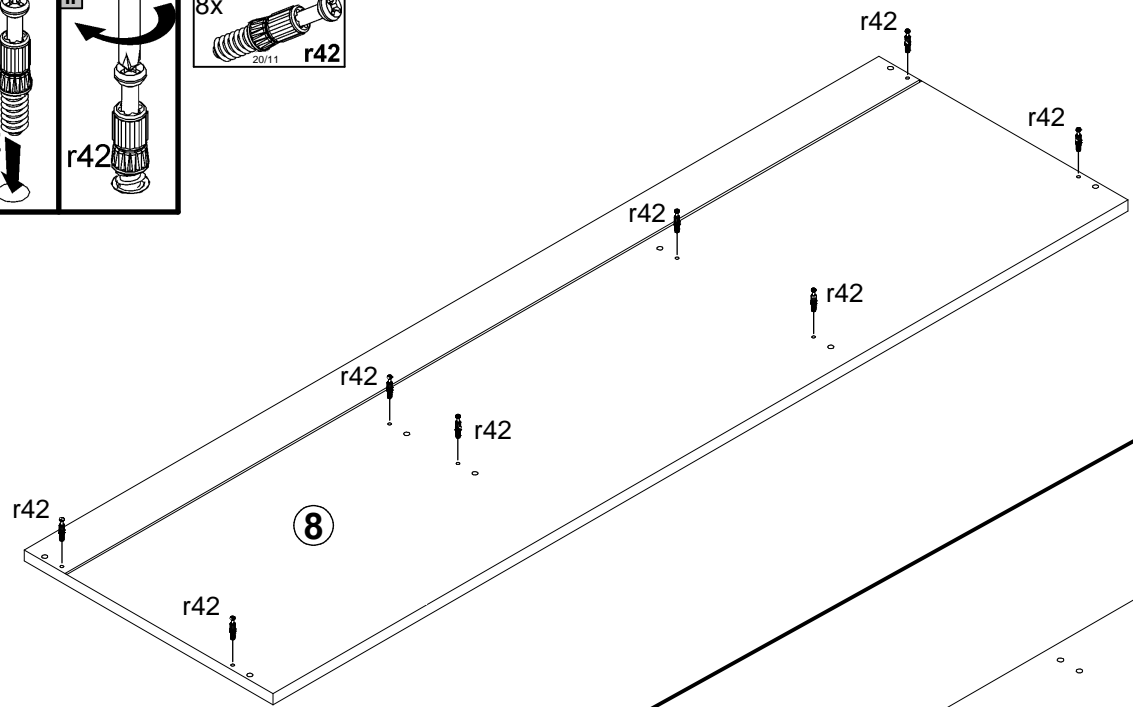
- 4x  e3
Ø6x13 mm
- 1x  w117L
350 mm
- 5x  f1
Ø8x30 mm
- 2x  d1
Ø5x17 mm
- 4x  r1
Ø15x12 mm #16



- 4x  d1
Ø5x17 mm
- 8x  e3
Ø6x13 mm
- 1x  w117L
350 mm
- 1x  w117P
350 mm
- 2x  r1
Ø15x12 mm #16
- 4x  f1
Ø8x30 mm

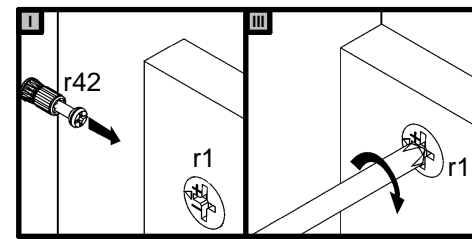


1

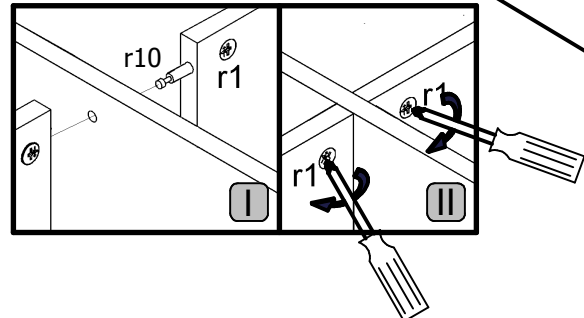
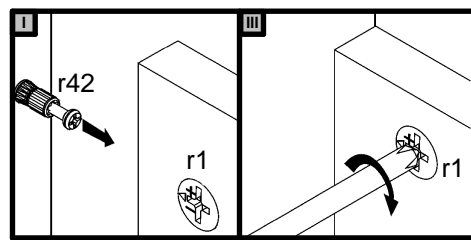
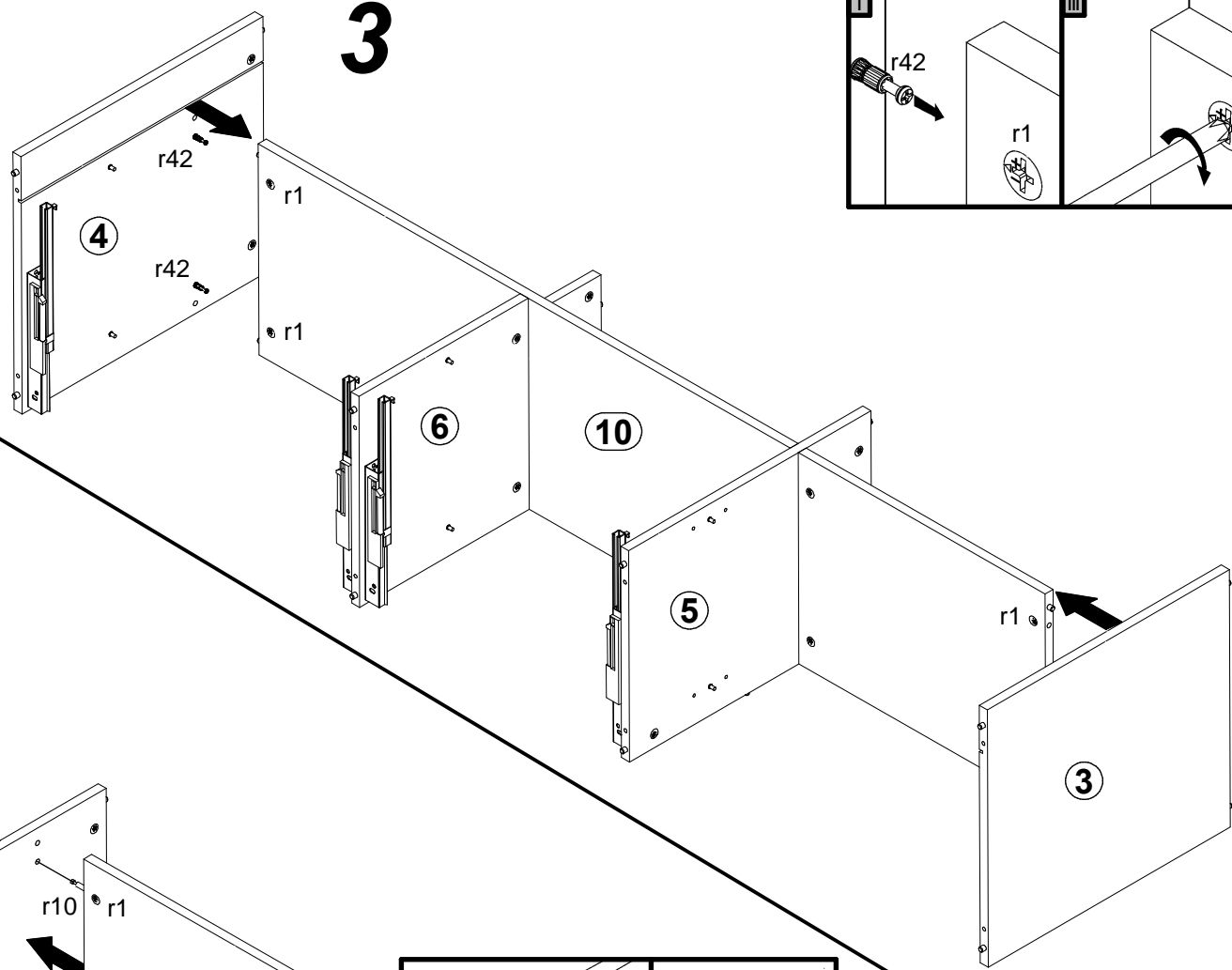


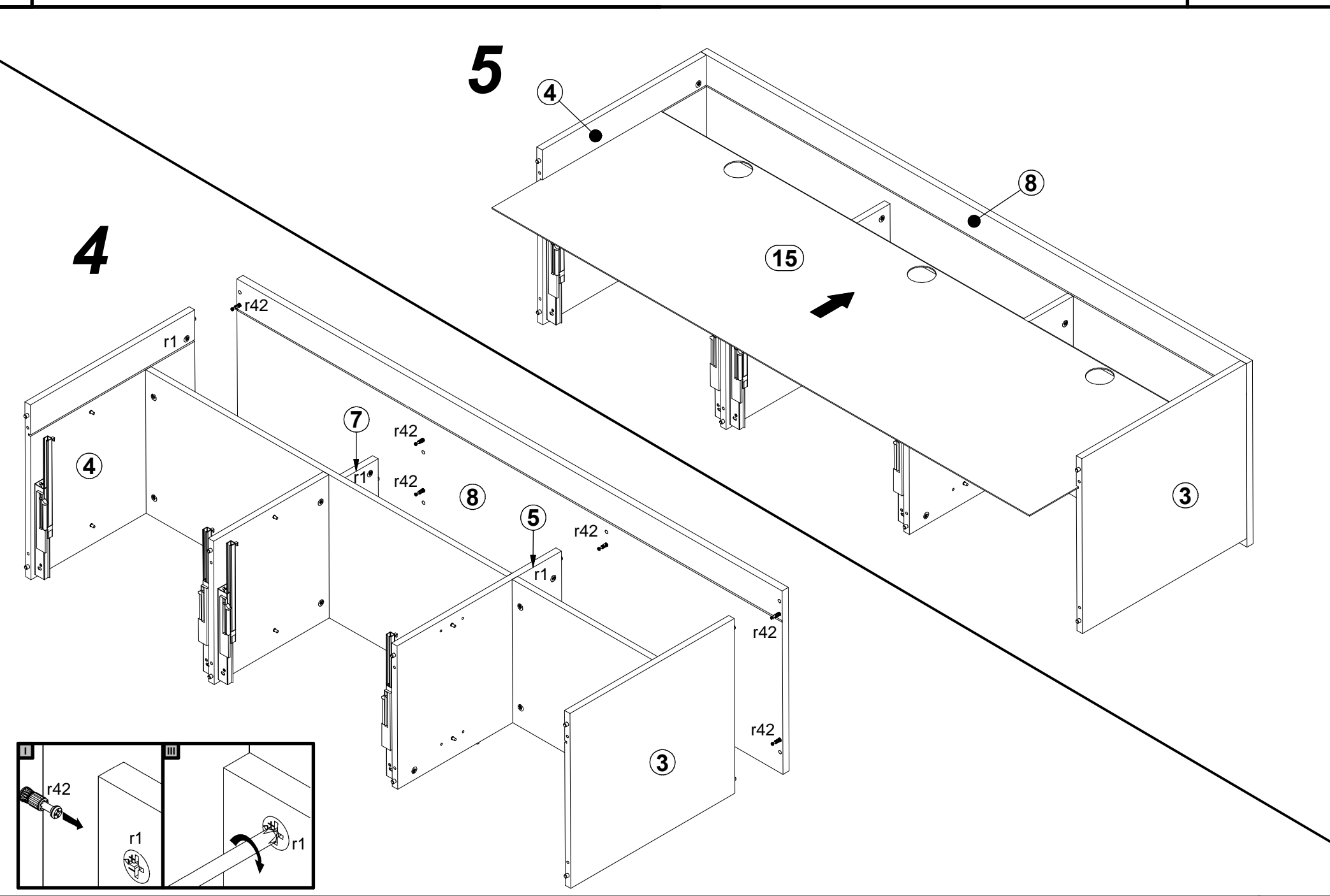


3



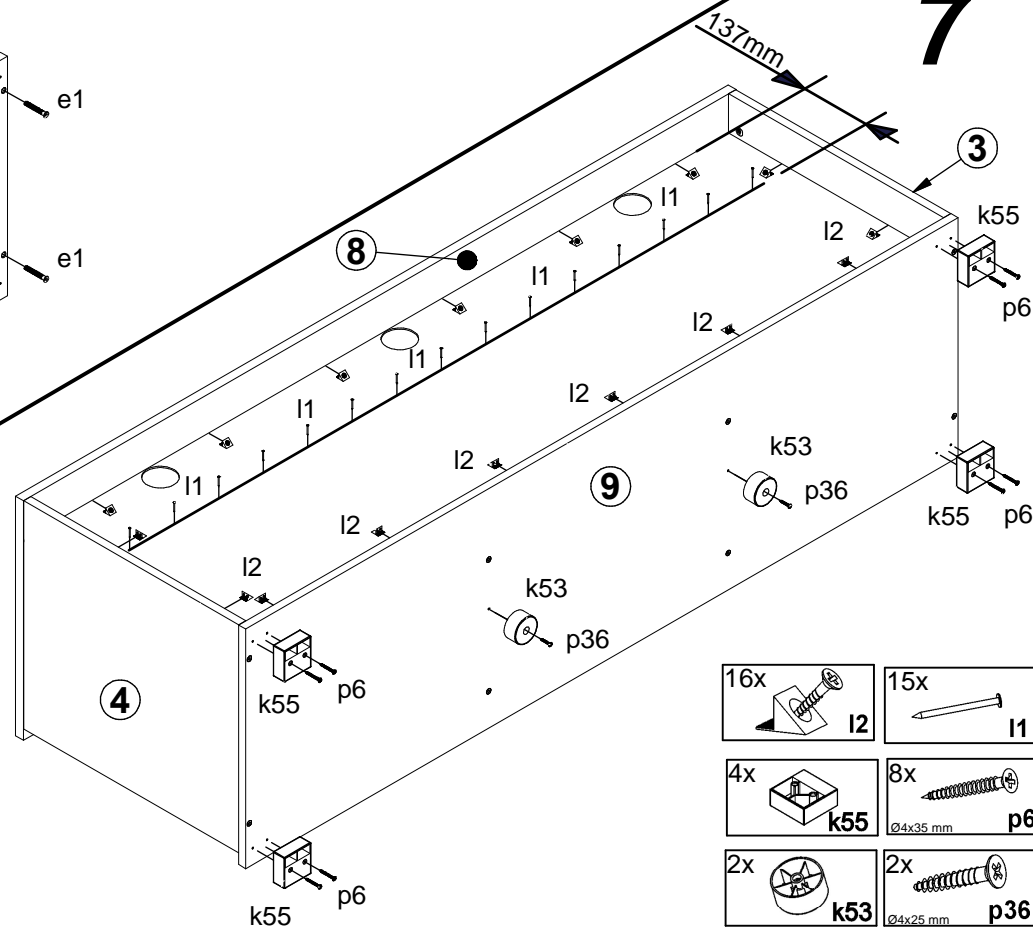
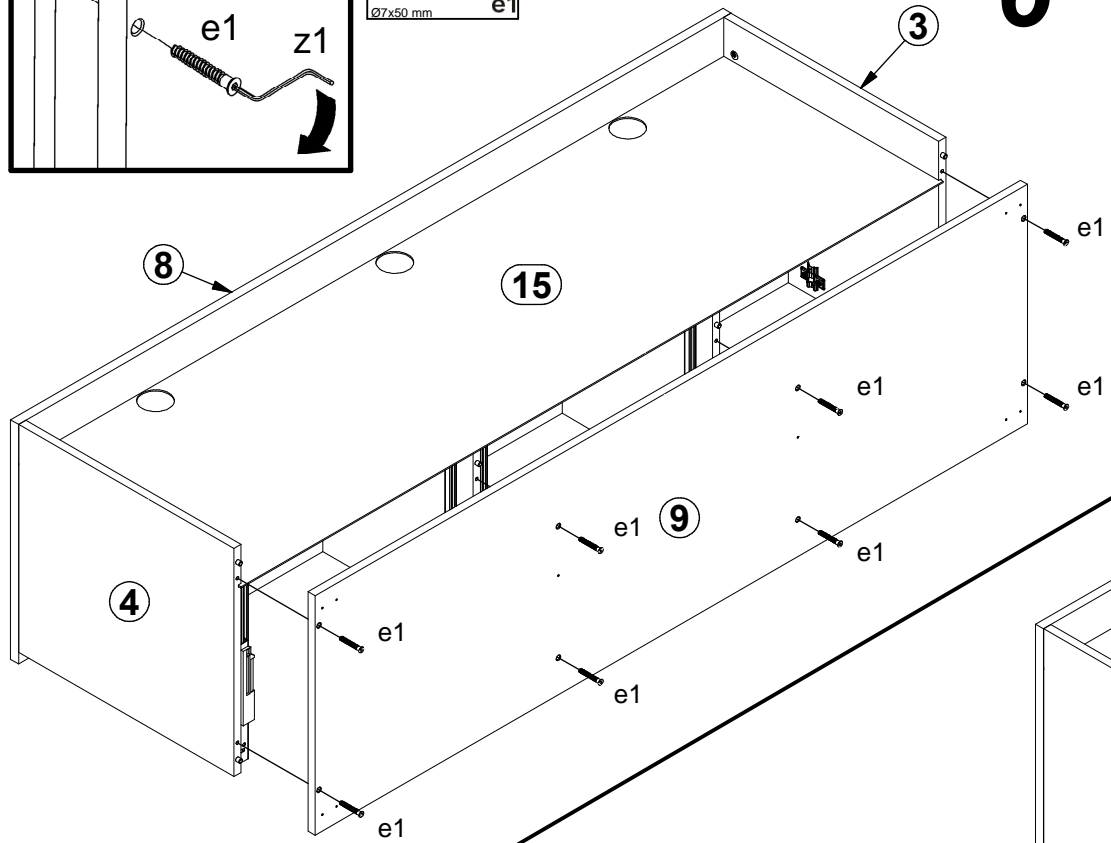
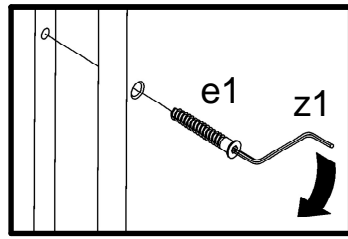
2



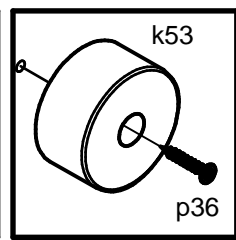
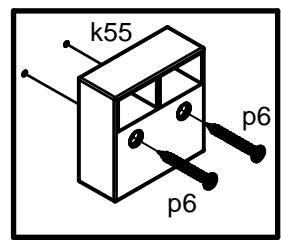
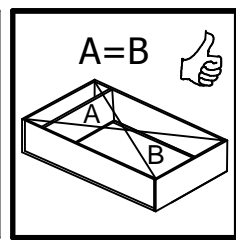
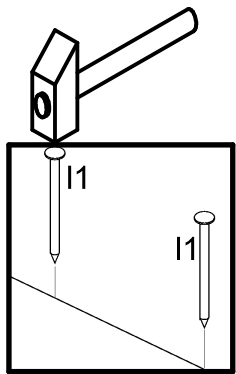
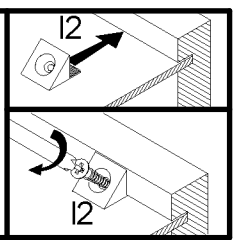
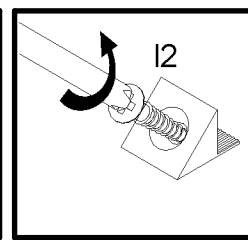
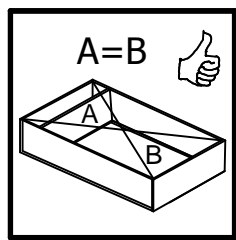


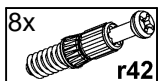
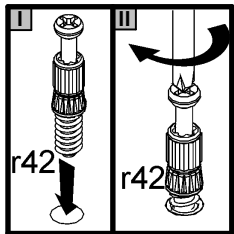
6

7

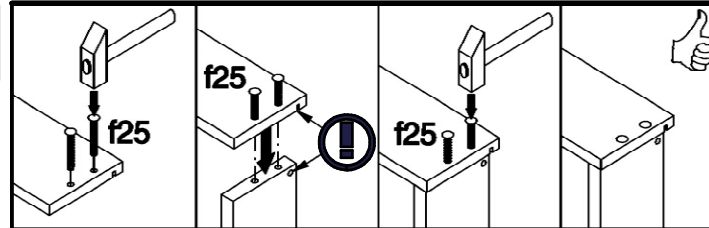
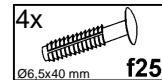
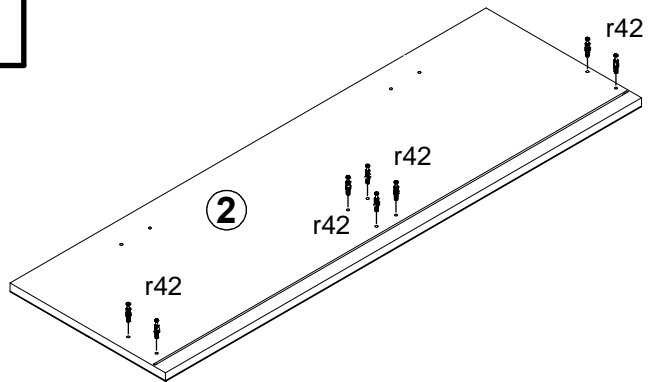


- 16x k55
- 15x l1
- 4x k55
- 8x p6
Ø4x35 mm
- 2x k53
- 2x p36
Ø4x25 mm

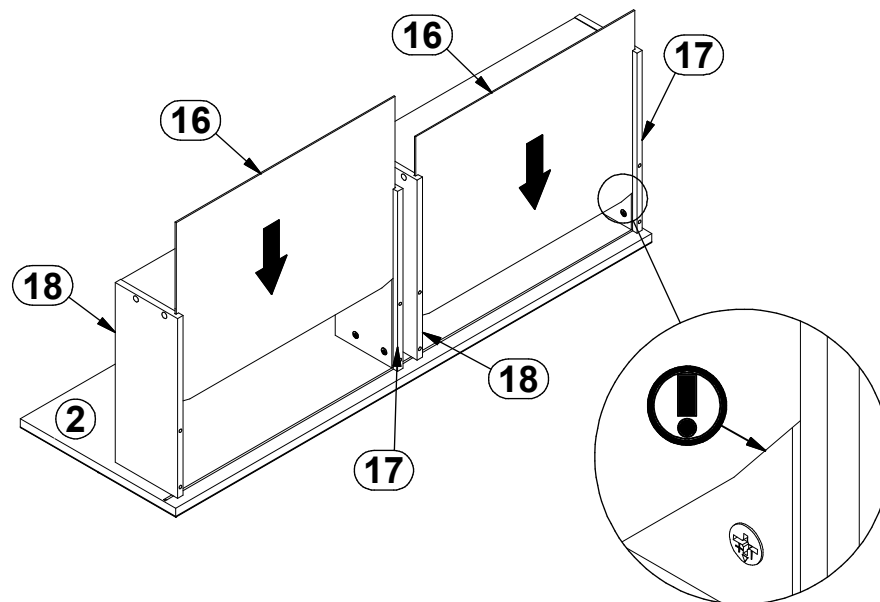
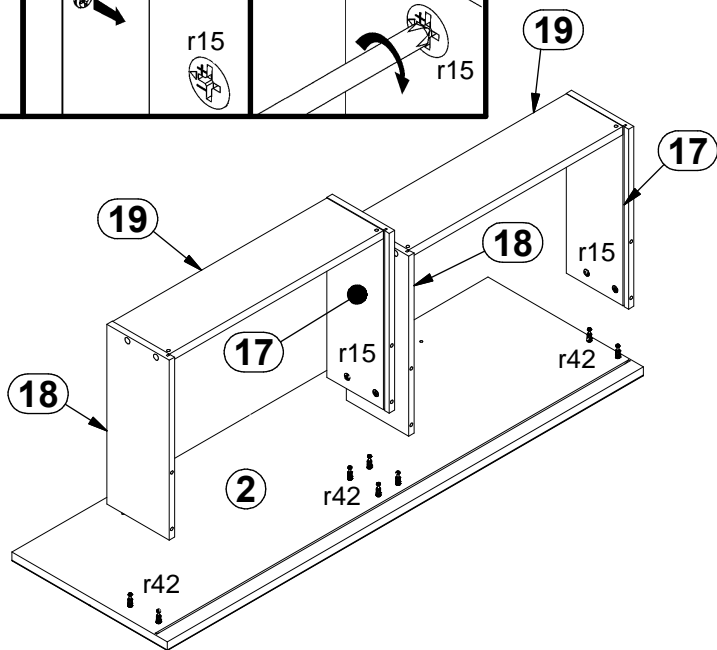
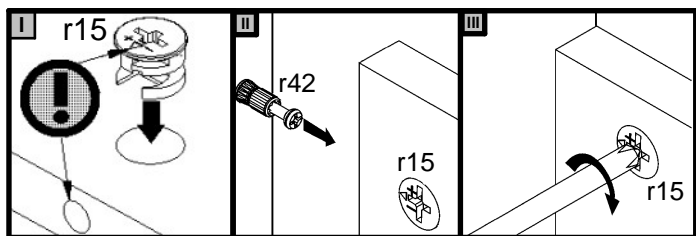
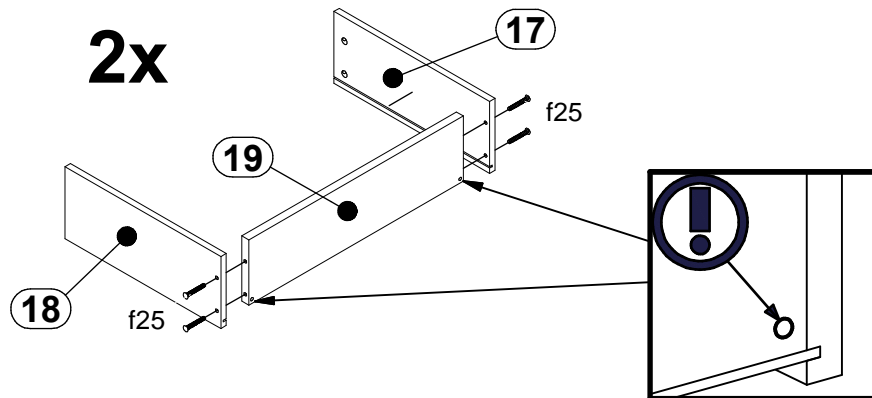




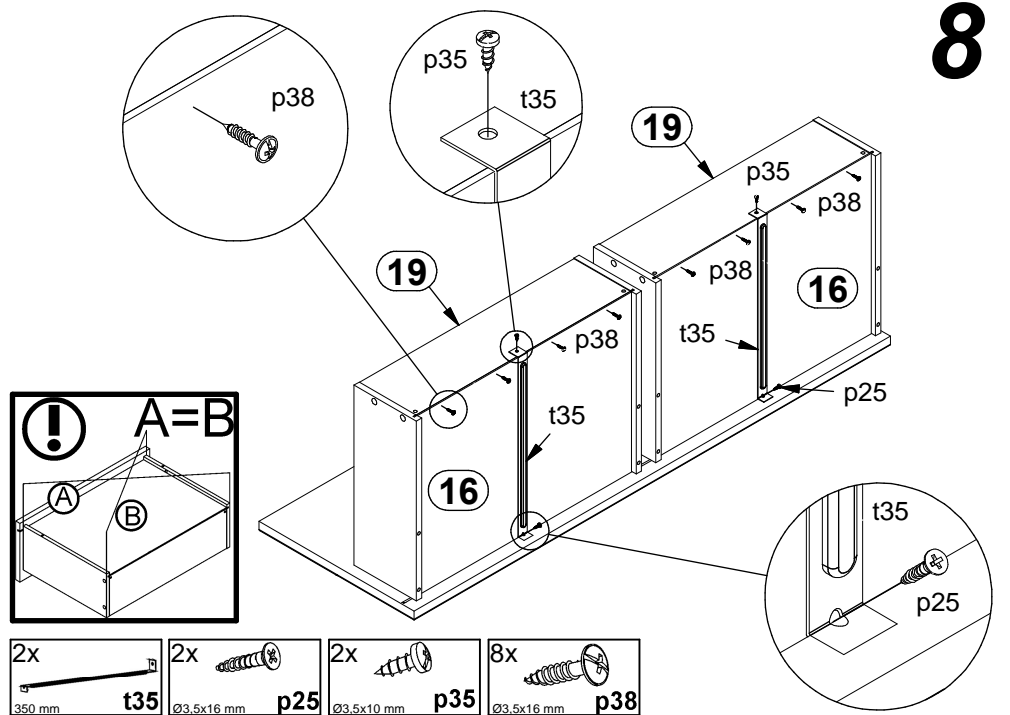
8
§7



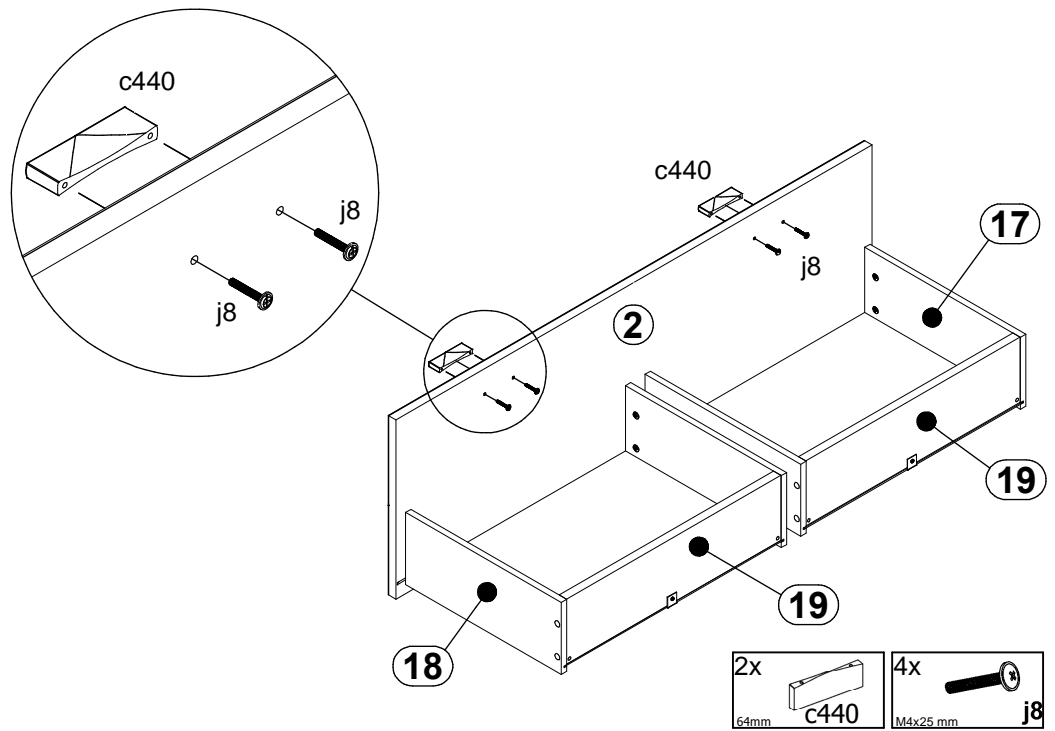
2x



8

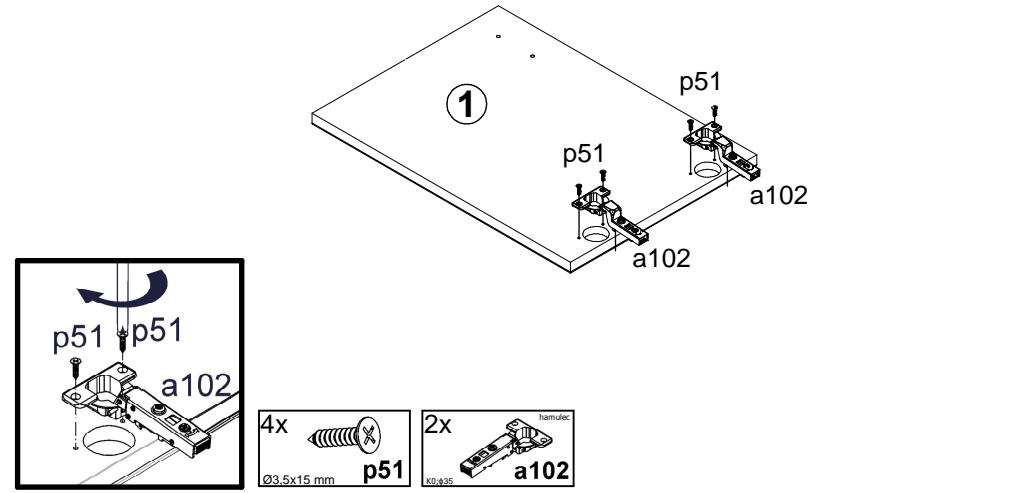


- 2x t35 350 mm
- 2x p25 Ø3.5x16 mm
- 2x p35 Ø3.5x10 mm
- 8x p38 Ø3.5x16 mm

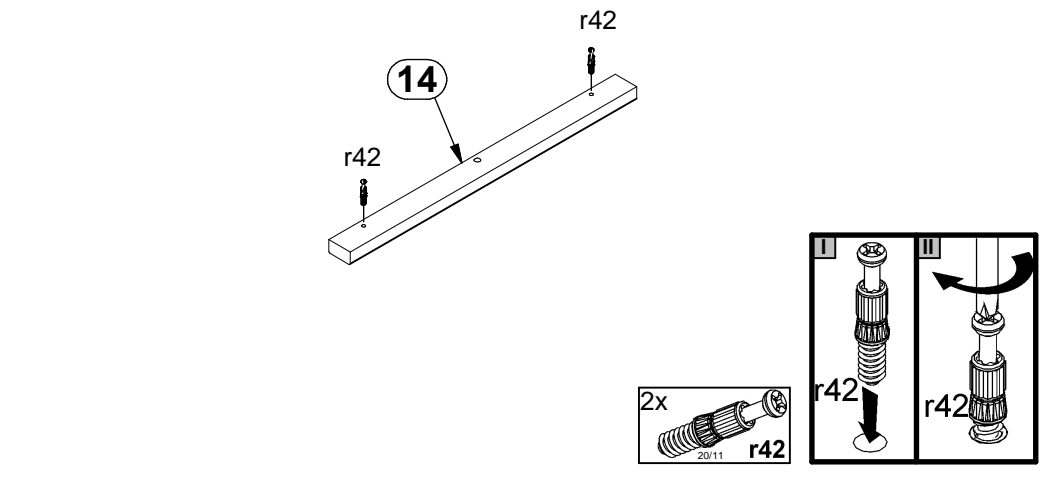


- 2x c440 64mm
- 4x j8 M4x25 mm

9

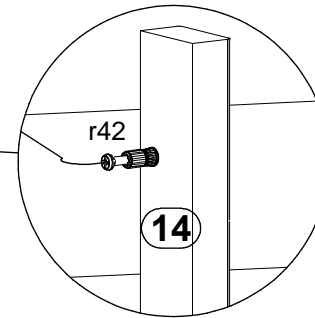
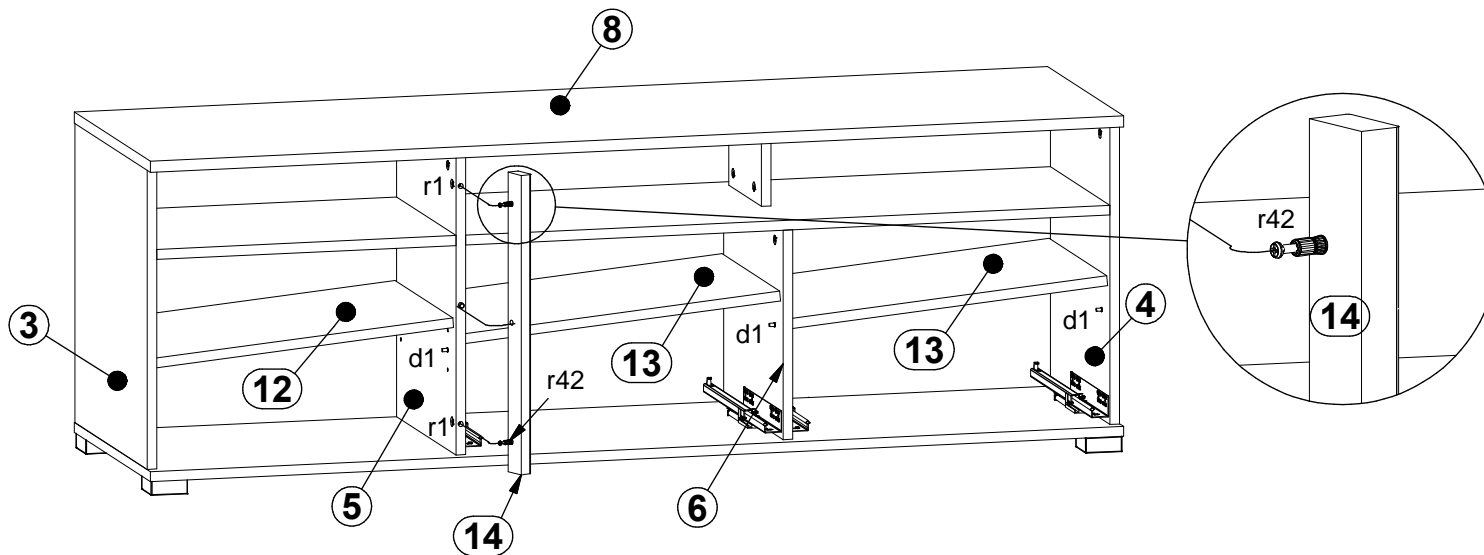
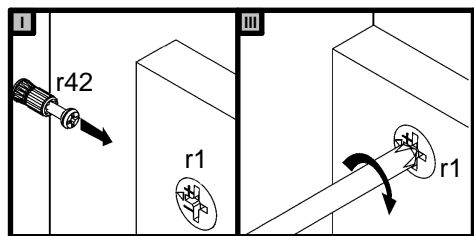
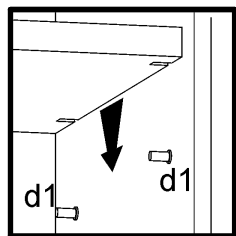


- 4x p51 Ø3.5x15 mm
- 2x a102 hamuac K0-835

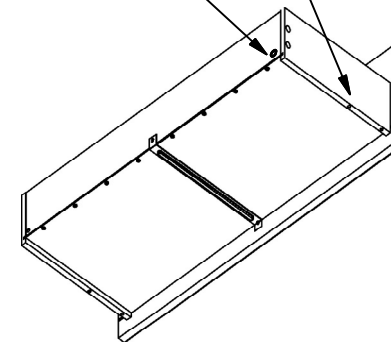
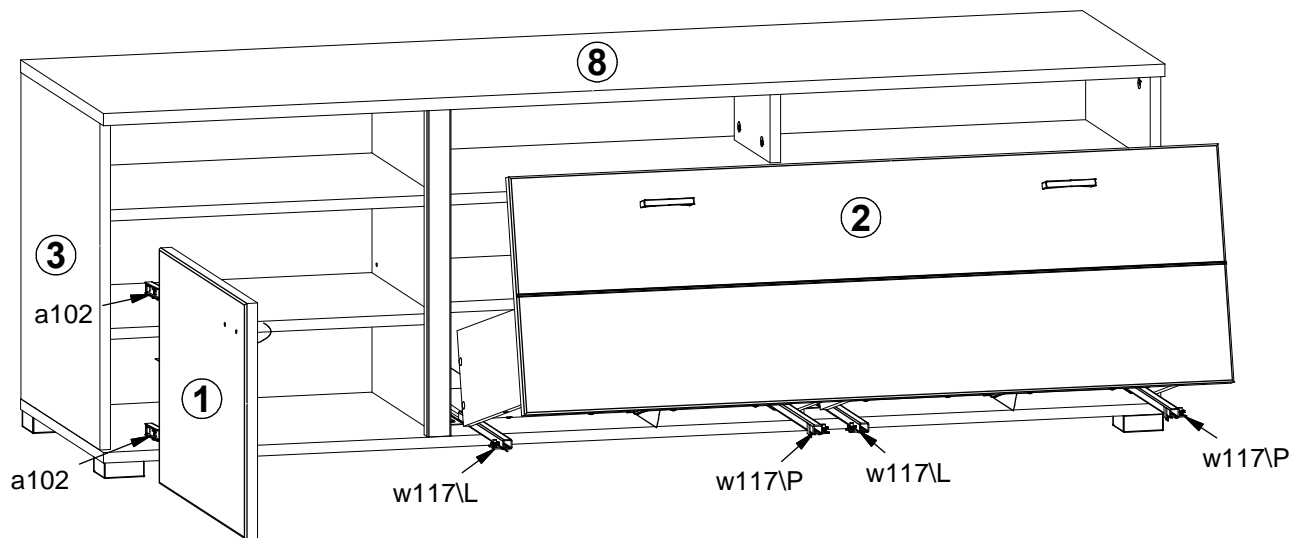
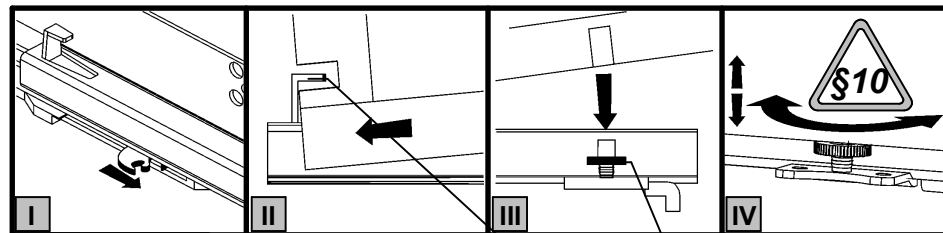
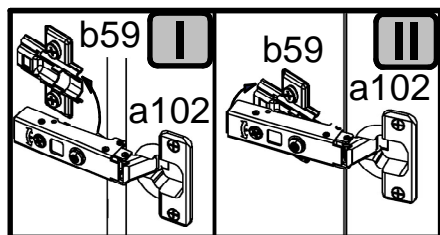


- 2x r42 20x11

10



11



12

