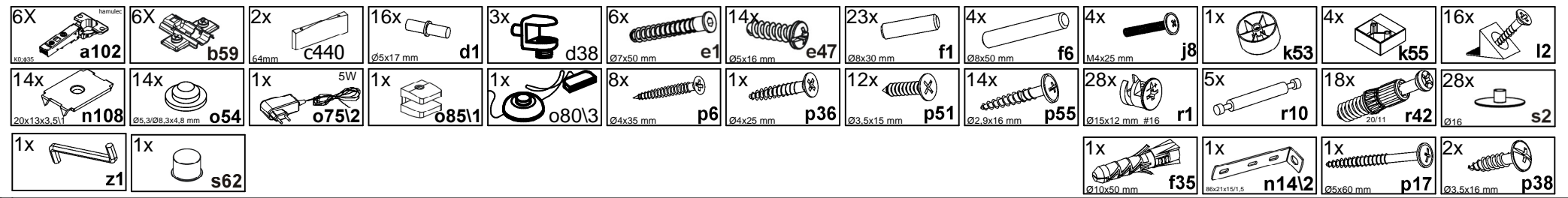
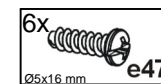
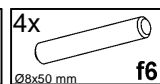
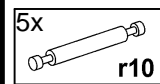
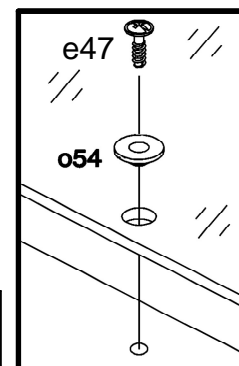
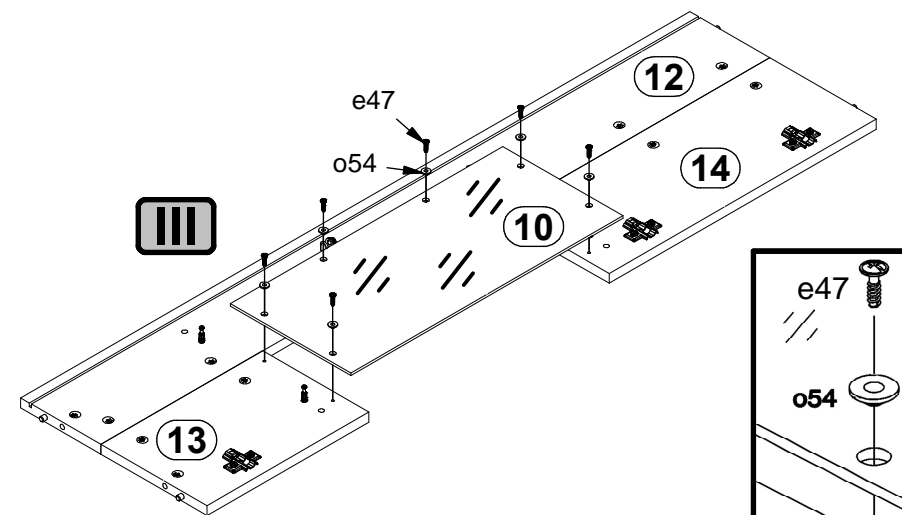
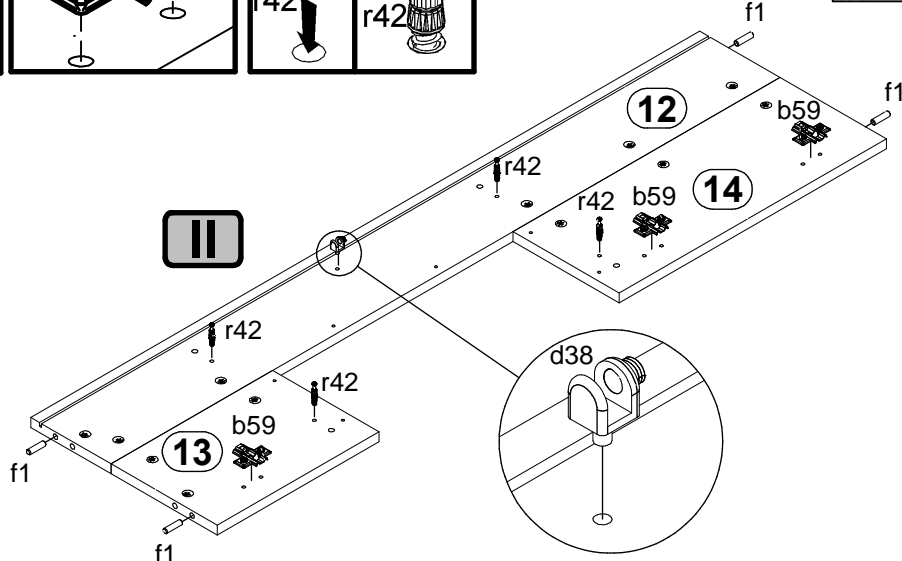
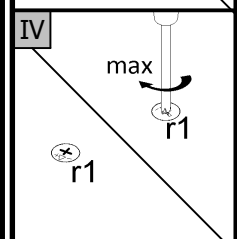
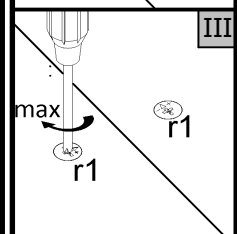
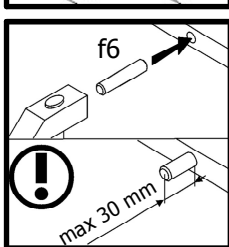
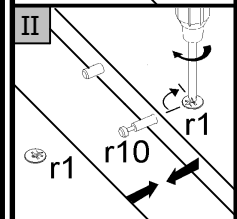
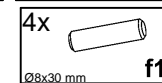
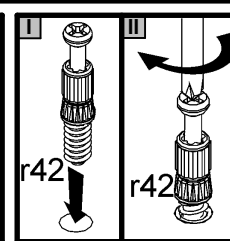
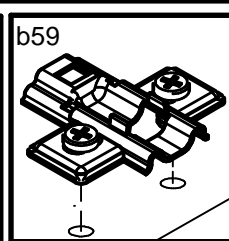
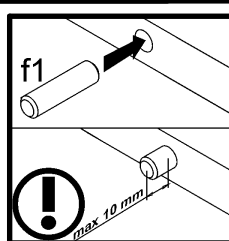
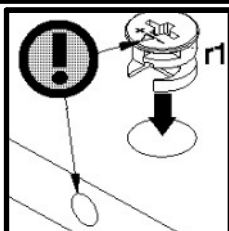
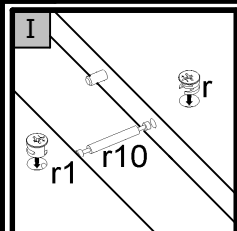


A	B	C (mm)		D
1	S266-0002	1247	367	2/2
2	S266-1003	1253	349,	2/2
3	S266-1004	1253	329,	2/2
4	S266-2003	781	370	1/2
5	S266-2004	781	370	1/2
6	S266-3004	375	329,	1/2
7	S266-3005	356	319	1/2
8	S266-3006	368	305	1/2
9	S266-5306	1253	36,	2/2
10	S266-5503	510	225	1/2
11	S266-5504	510	350	1/2
12	S266-7004	1253	150	2/2
13	S266-7005	303	199	2/2
14	S266-7006	500	199	2/2
15	S266-7704	497	367	2/2
16	S266-7705	300	367	2/2
17	S266-9002	463	388	1/2
18	S266-9003	267	388	1/2
19	S266-9004	1263	369,	2/2
20	S266-9302	533	388	1/2



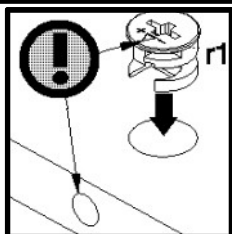
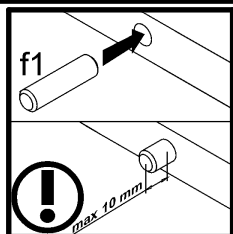
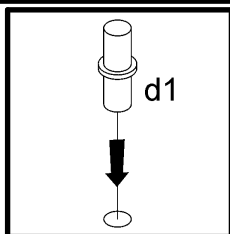
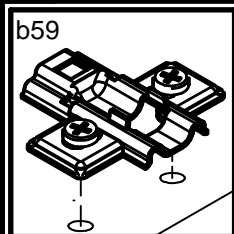


**A**

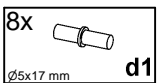
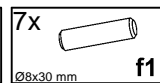
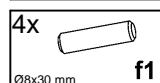
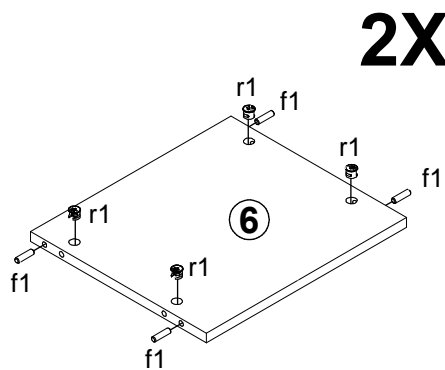
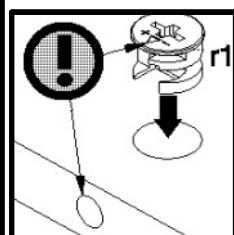
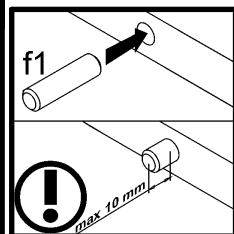
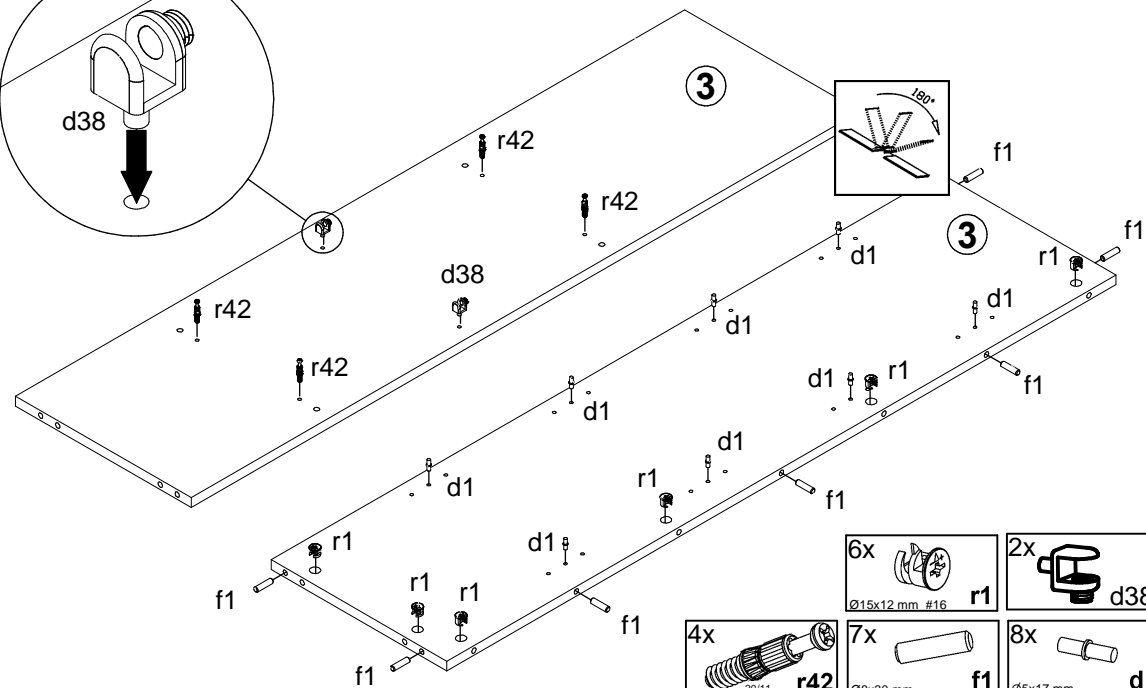
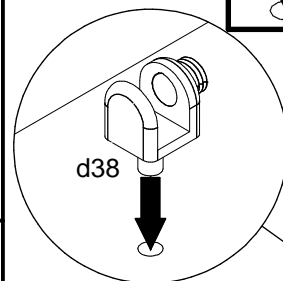
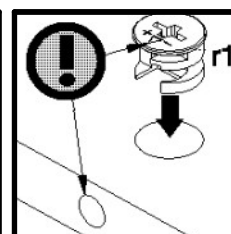
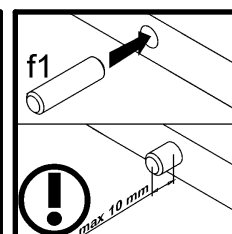
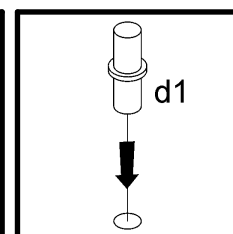
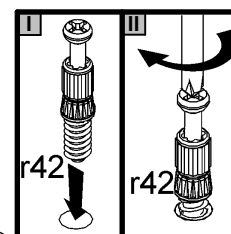
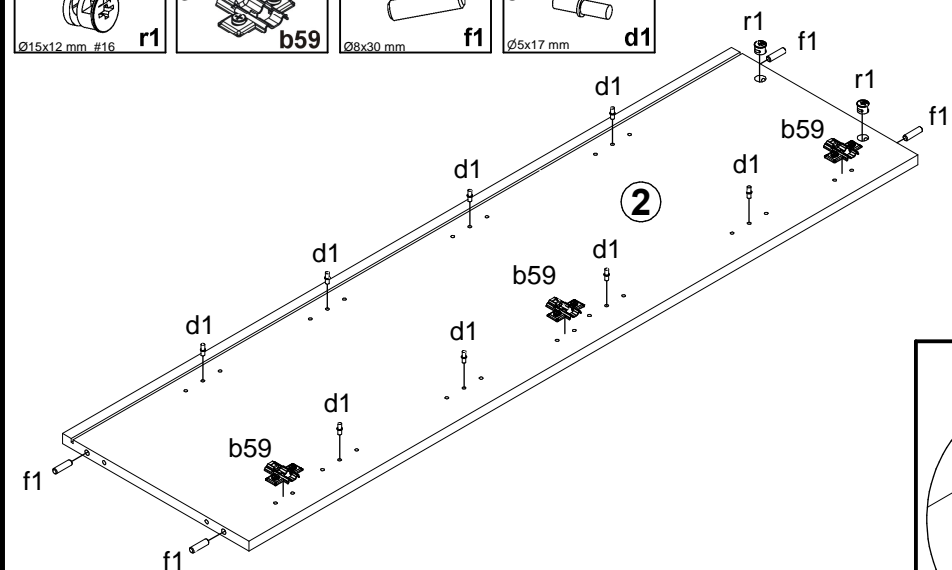
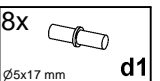
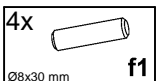
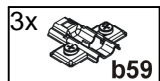
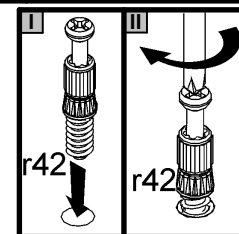
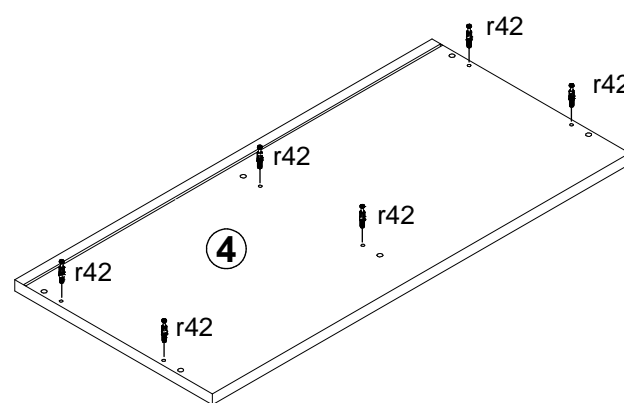
**S266-SFK1W1D/13/8**

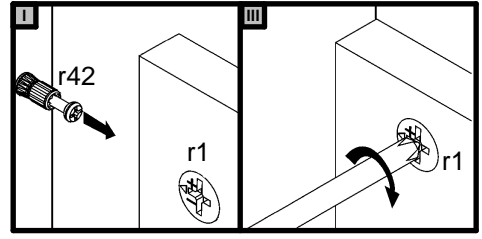
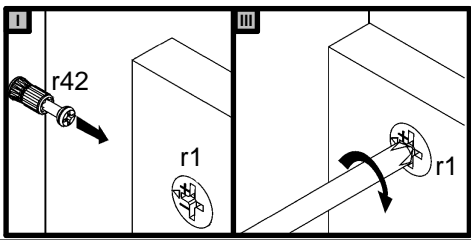
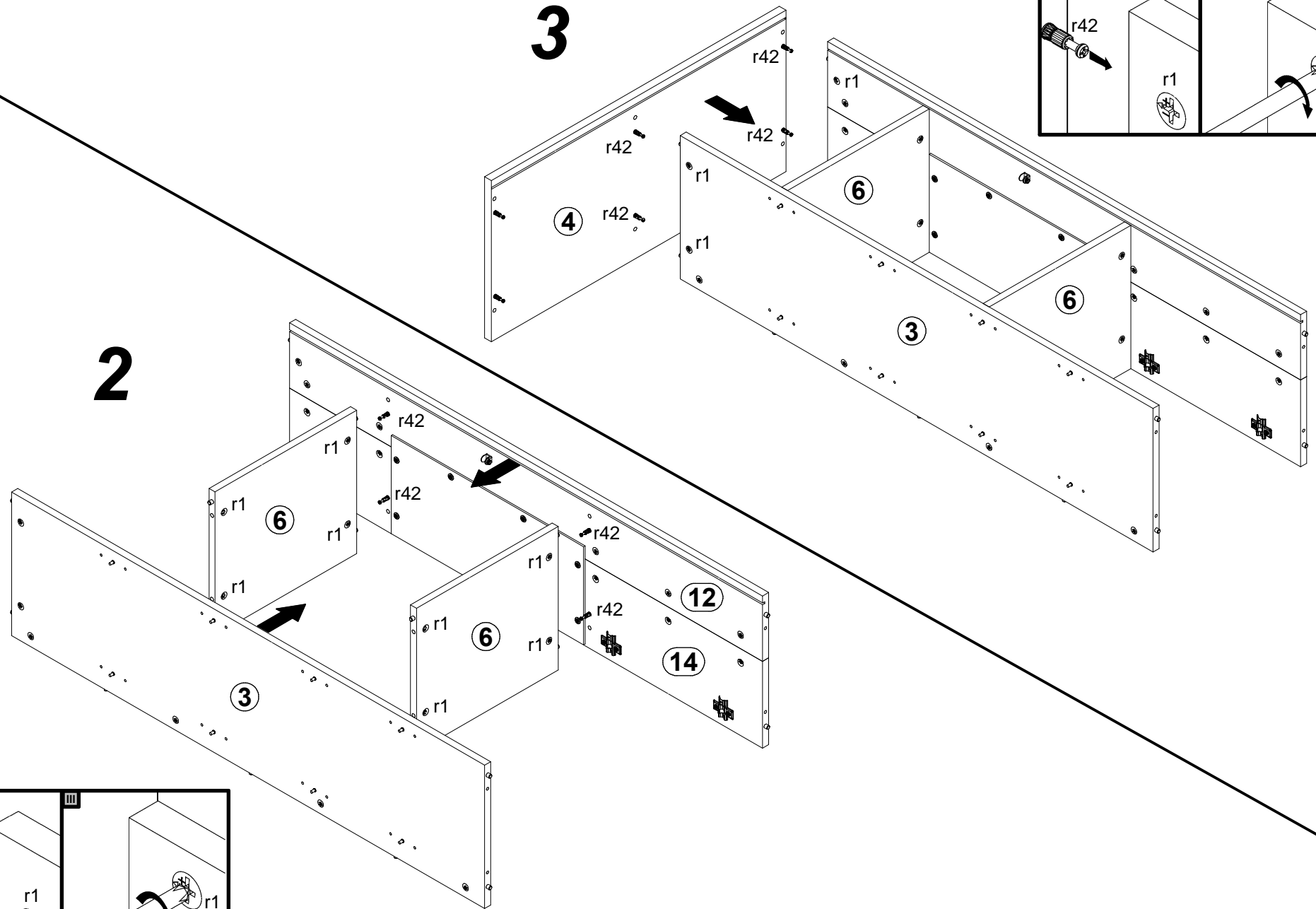
**10D7--06**

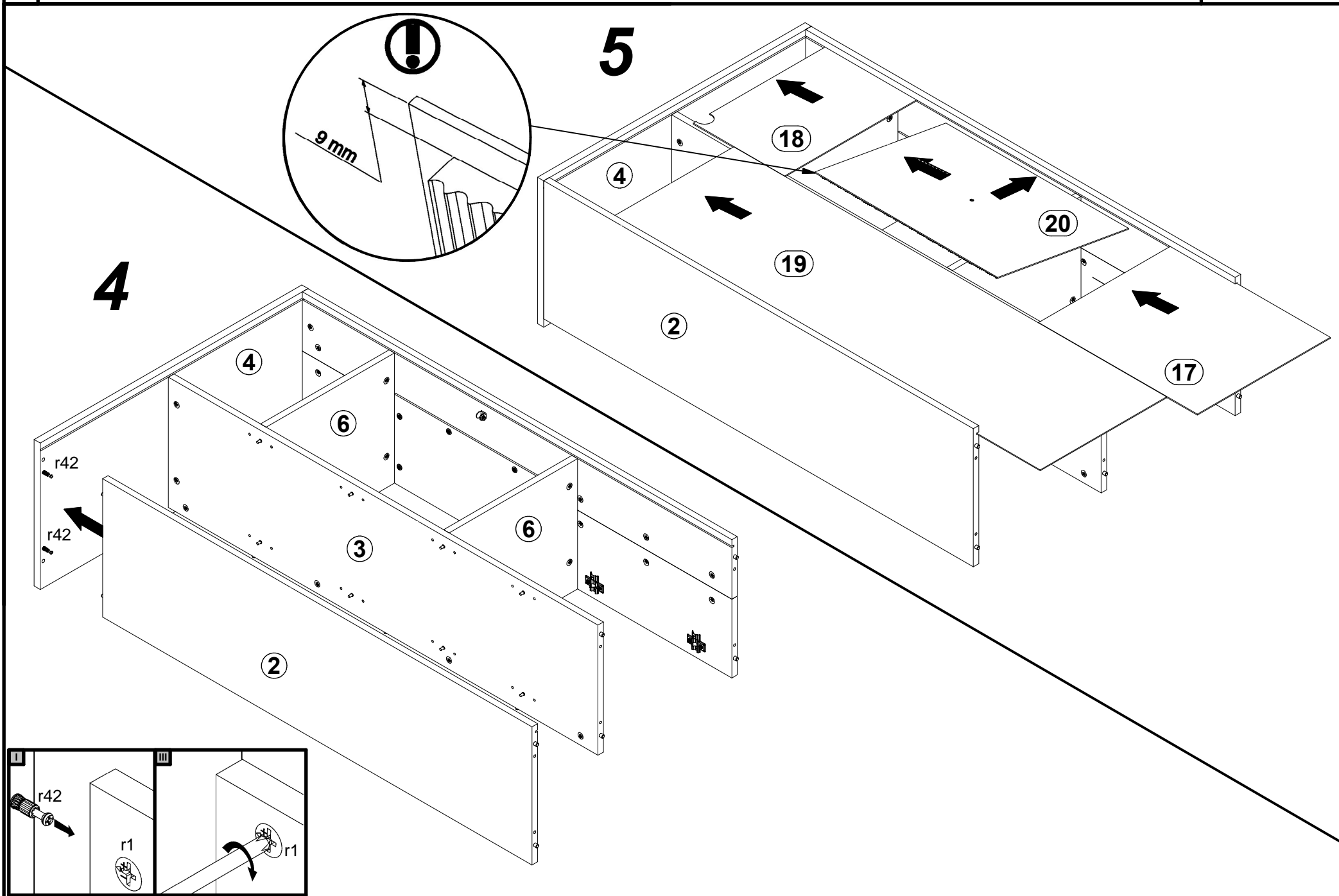
4 / 10



**1**





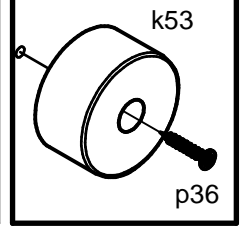
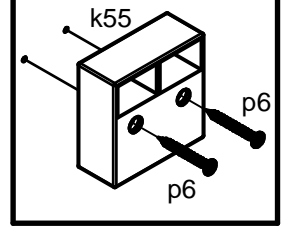
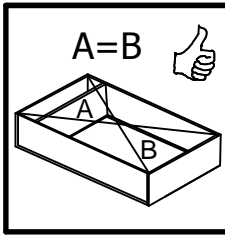
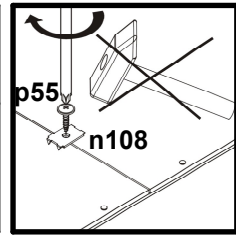
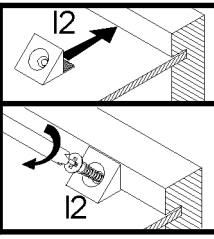
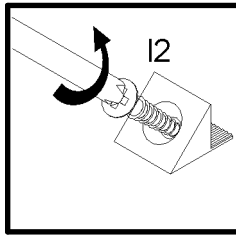
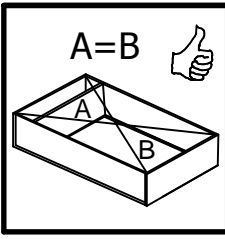


A

S266-SFK1W1D/13/8

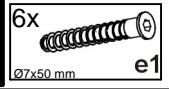
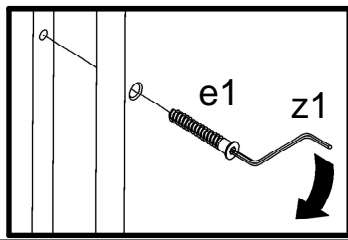
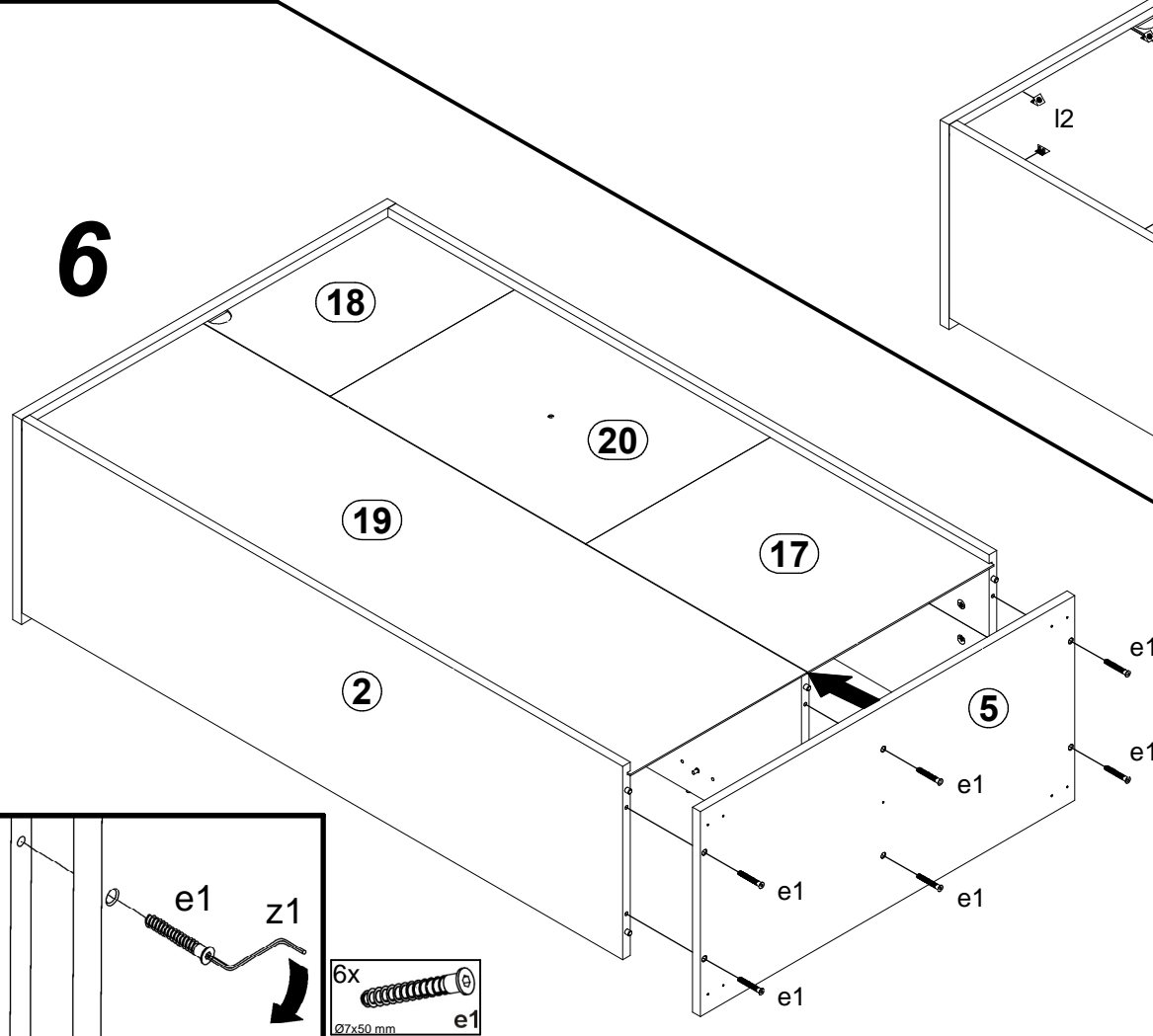
10D7--06

7 / 10

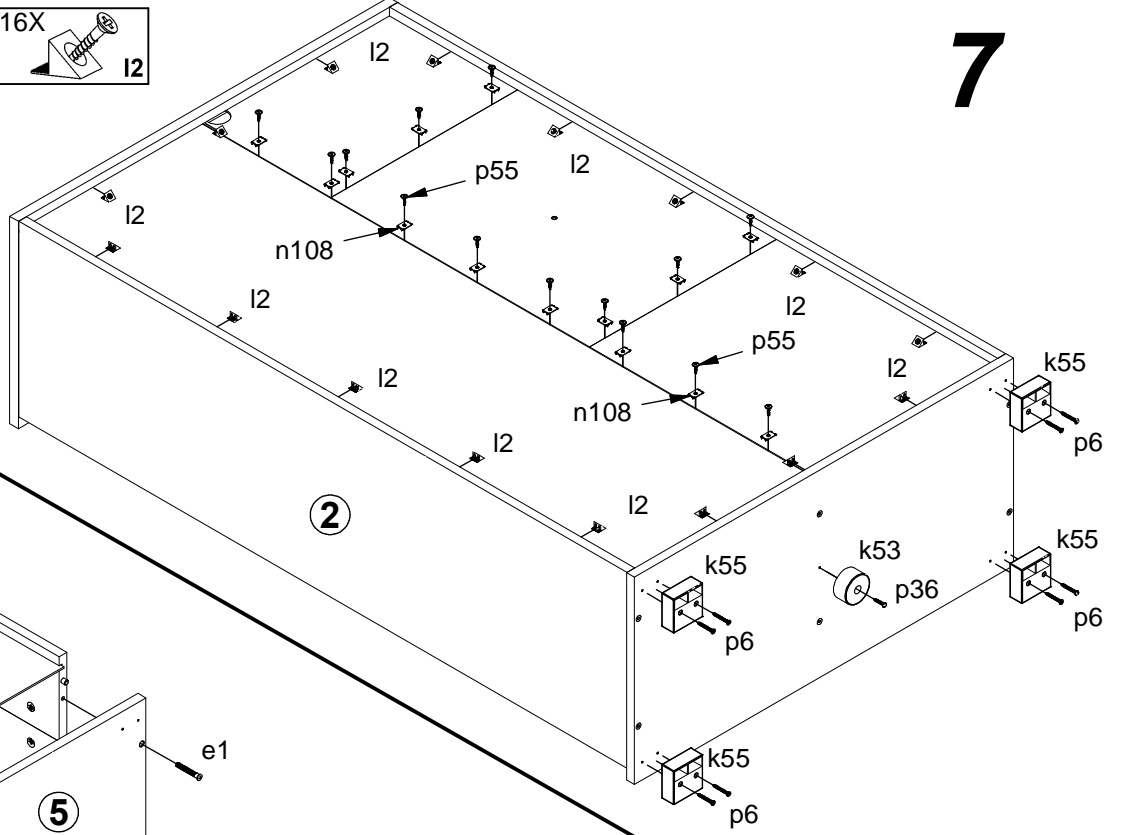


- 4x **k55**
- 8x **p6**  
Ø4x35 mm
- 1x **k53**
- 1x **p36**  
Ø4x25 mm
- 14x **n108**  
20x13x3,5/1
- 14x **p55**  
Ø2,9x16 mm
- 16x **l2**

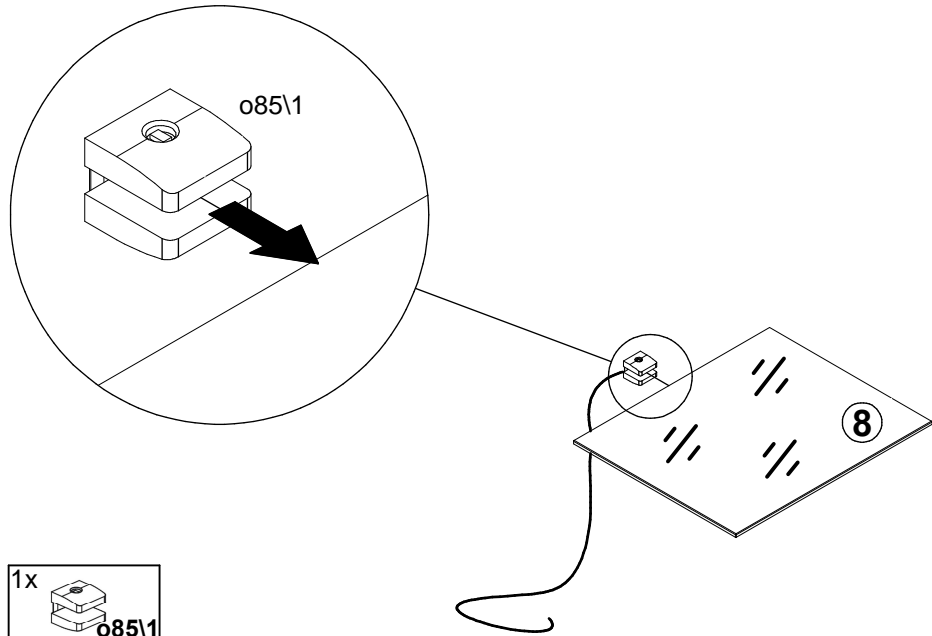
6



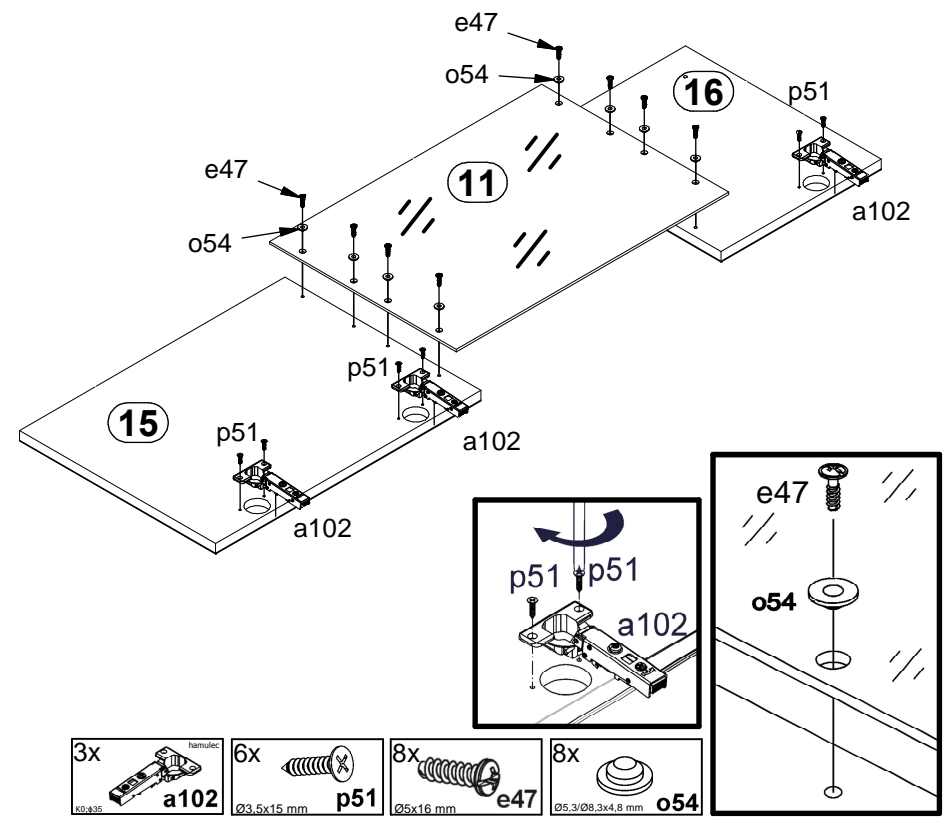
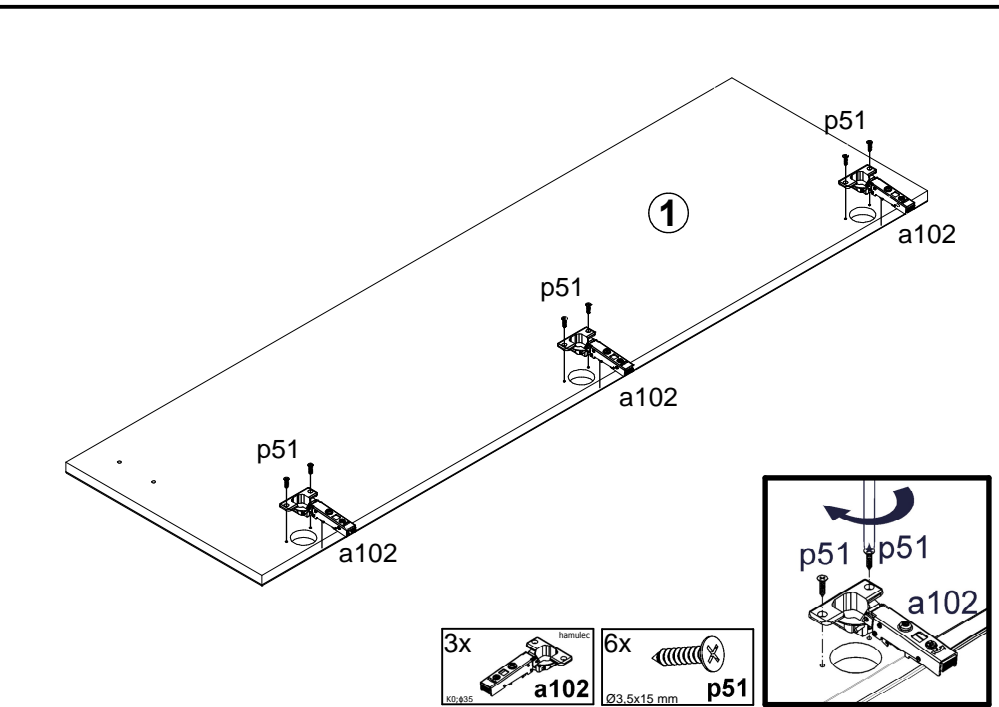
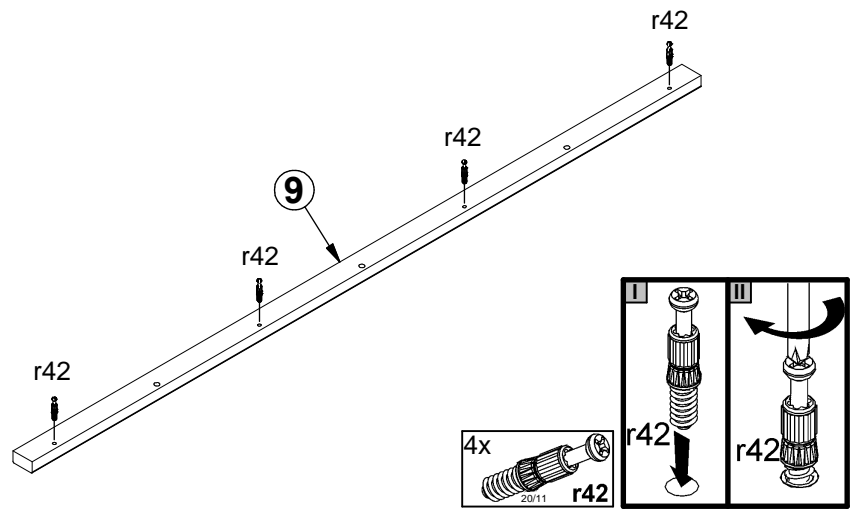
7



8

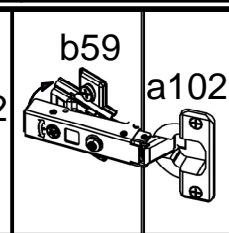
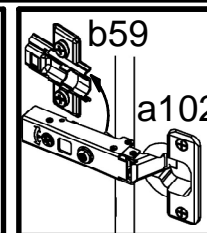
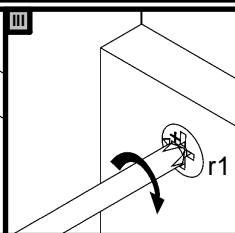
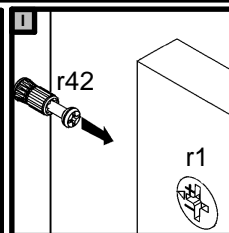
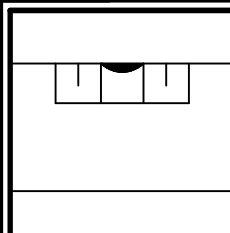
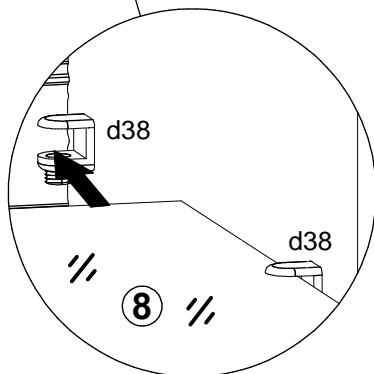
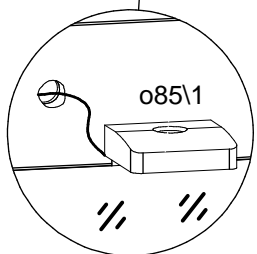
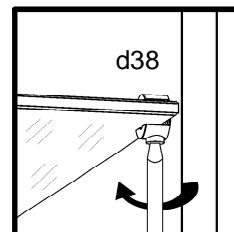
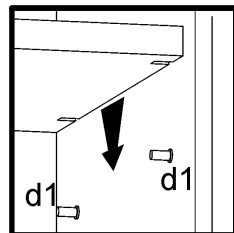
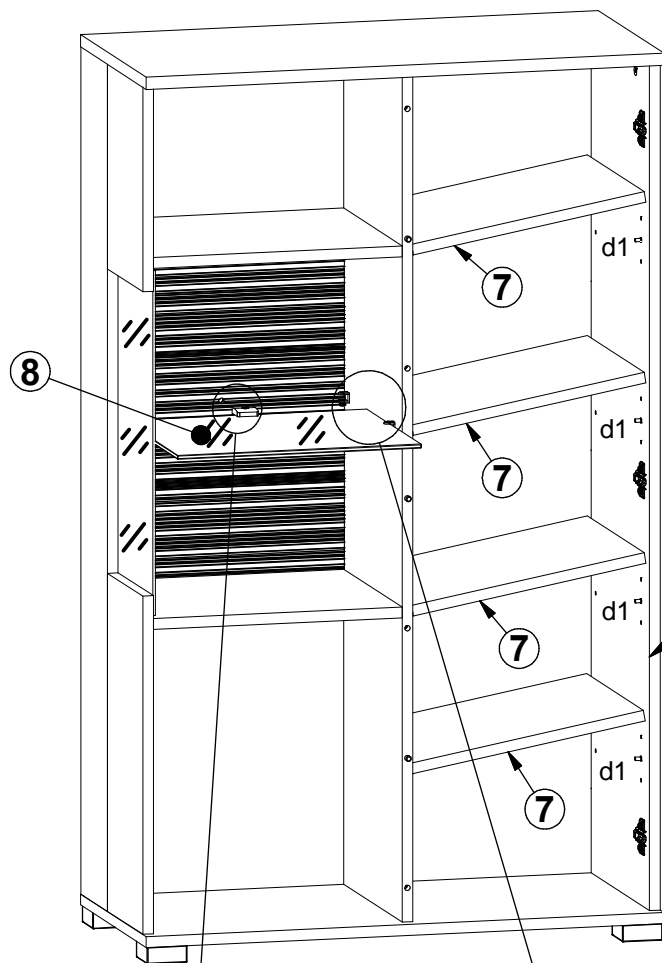


9

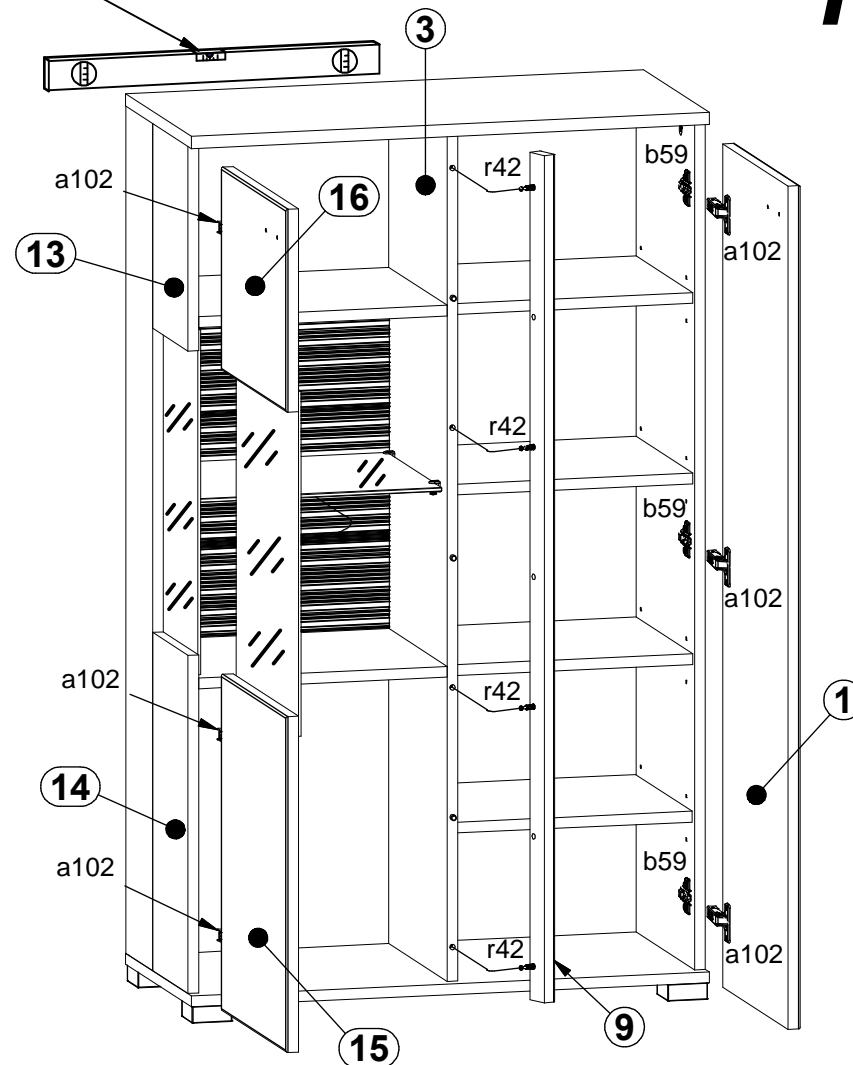




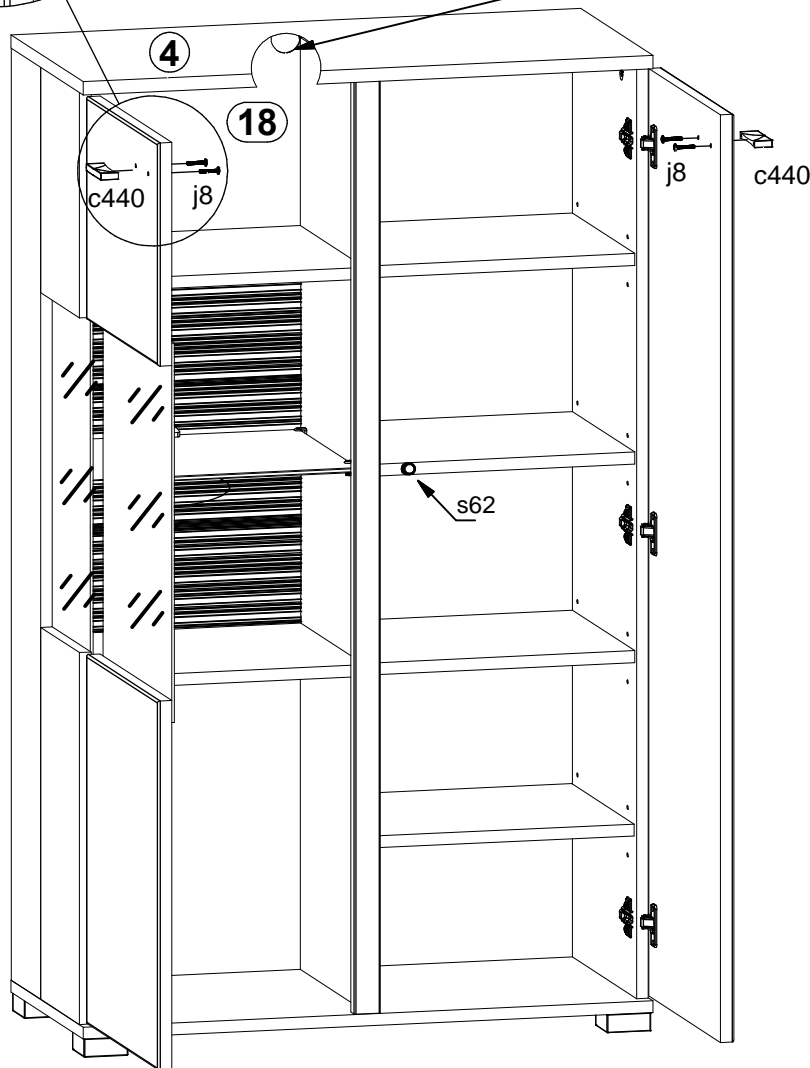
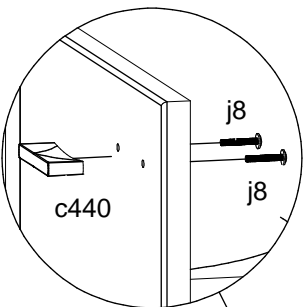
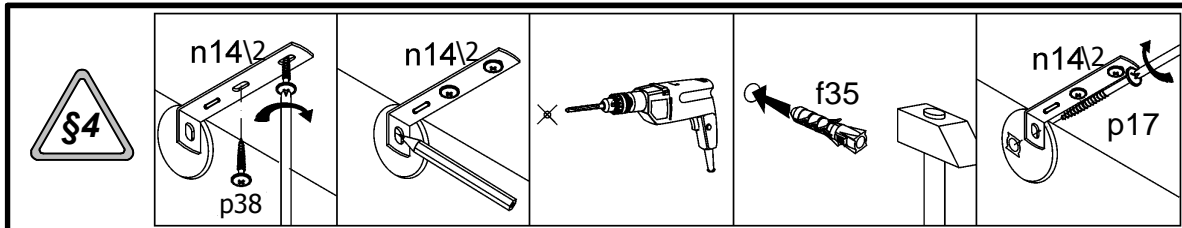
# 10



# 11



# 12



- 1x  $\varnothing 10 \times 50$  mm f35
- 1x 86x21x15/1.5 n14/2
- 1x  $\varnothing 5 \times 60$  mm p17
- 2x  $\varnothing 3.5 \times 16$  mm p38
- 28x  $\varnothing 16$  s2
- 2x 64mm c440
- 4x M4x25 mm j8
- 1x s62

